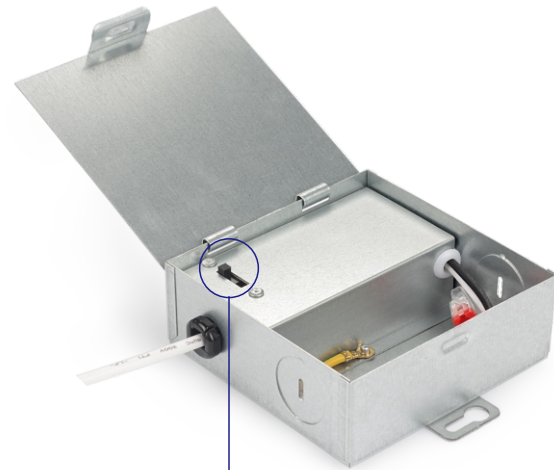
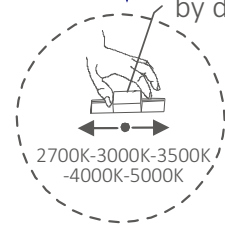


LED Slim Panel Light

-Color Adjustable Version 3



Color Adjustable by dip switch



Color Adjustable





Application

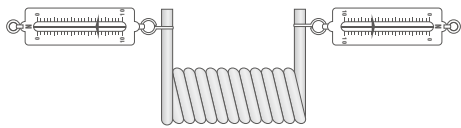
Suitable for shop, supermarket, shopping mall, hospital, office, house, shopping mall, factory and other indoor places.

Features

- Super slim lamp body, 1/2 inch high for round version; 3/4 inch high for square version.
- The diffuser plate adopt double-sided frosted plate, more uniform light;
- The frame adopt ADC 12, better cooling effect; adopt low-power large LEDs, and LEDs work in low temperature;
- The back cover adopt bending, powder spraying; consistent whole effect, and prevent light-leaking;
- The driver is designed with high PF(PF > 0.9) and is dimmable with most regular dimmers, dimming range up to 10%-100%.

The Design for Lamp

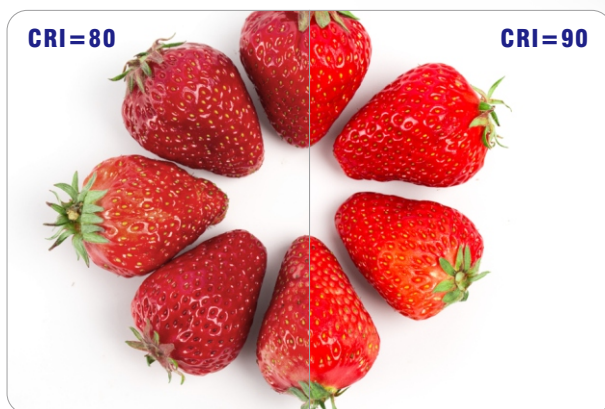
- Great spring elasticity, **6N-8N** force.
- Waterproof ring for use in **wet location**.



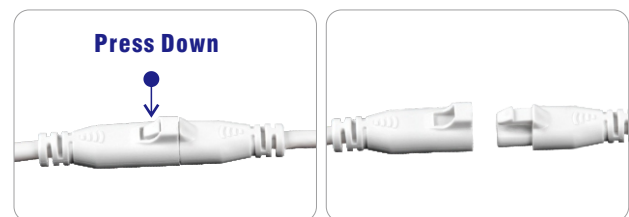
- super slim lamp body **0.45 inch** for round version, **0.79 inch** for square version

- Acrylic light guide, laser dotting, **no yellowing**, long life span.

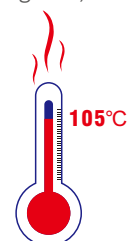
- Adopt edge-lit tech, visual uniformity, **CRI up to 90**.



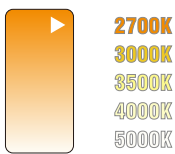
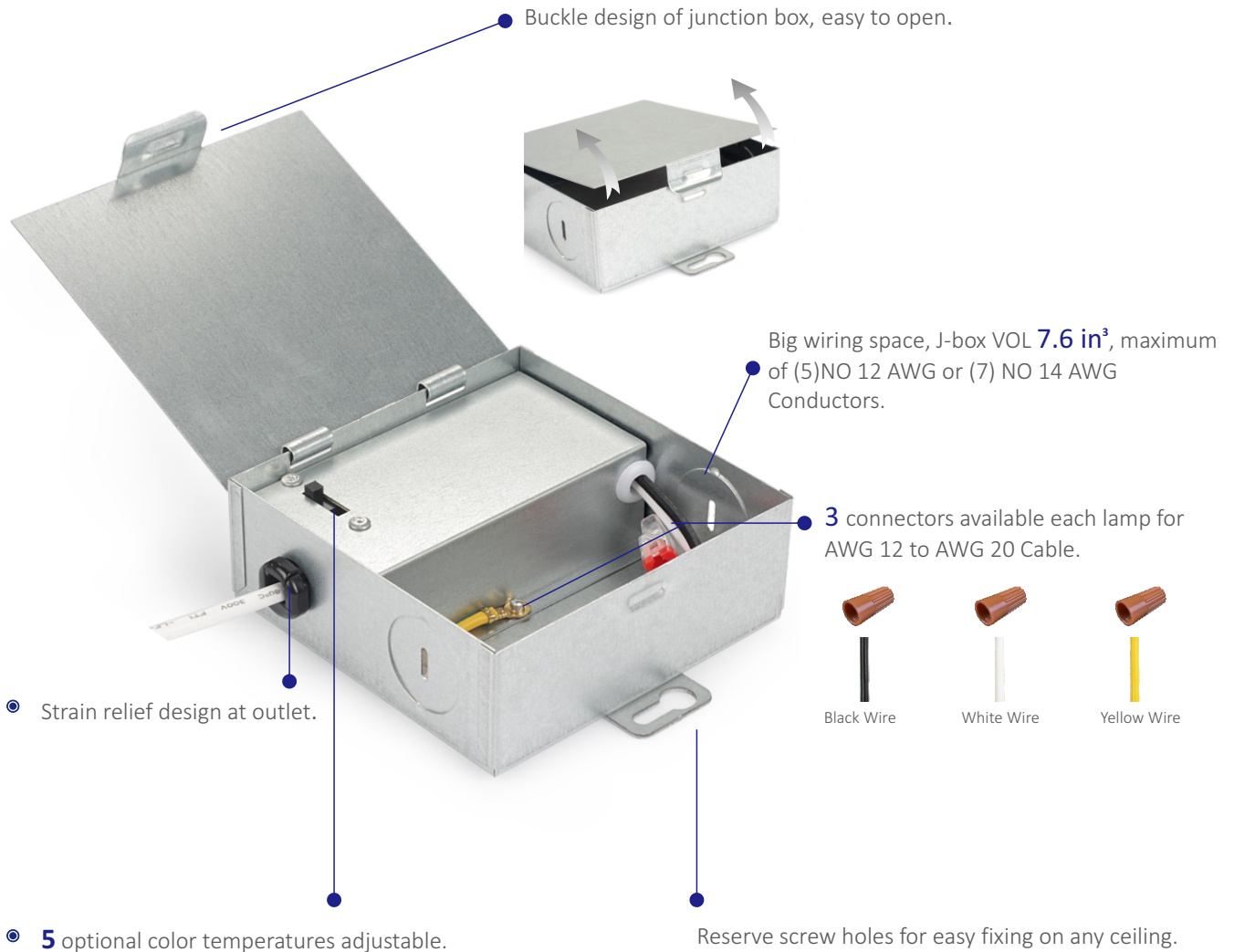
- Connector with strain relief design.



- The Cable is High fire rating FT1, temperature resistance up to 105°C.



The Design for Power Supply

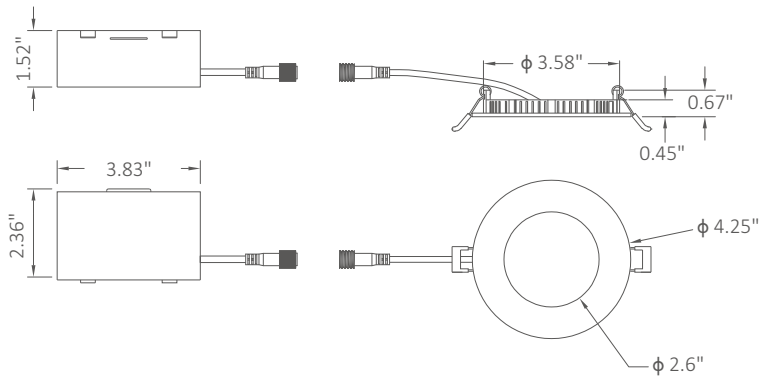


Specifications

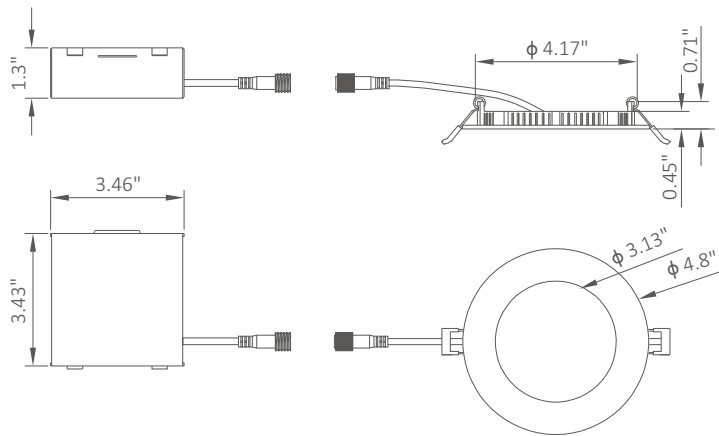
Model	Product name	Color	CCT	Luminous flux (±10%)	Power (W)	Cutout size	Beam angle	Input Voltage	LED type	CRI	IP	PF
SC-DL07-D03-A1-01RE	Round 3 inch	5 CCT adjustable	2700K 3000K 3500K 4000K 5000K	430-490	7W	3-3/4inch	110°	90-130VAC	2835	> 90	IP44	> 0.9
SC-DL09-D04-A1-03RE	Round 4 inch			540-580	9W	4-1/4 inch						
SC-DL12-D06-A1-03RE	Round 6 inch			820-900	12W	6-3/8inch						
SC-DL12-D06H-A1-03RE				980-1100	12W	6-3/8inch						
SC-DL18-D08-A1-01RE	Round 8inch			1600-1700	18W	8-3/16inch						
SC-FL10-D04-A1-01RE	Square 4 inch	5 CCT adjustable	2700K 3000K 3500K 4000K 5000K	810-890	10W	4-1/4inch	110°	90-130VAC	2835	> 90	IP44	> 0.9
SC-FL15-D06-A1-01RE	Square 6 inch			1300-1500	15W	6-3/8inch						

Dimensions (unit: inch)

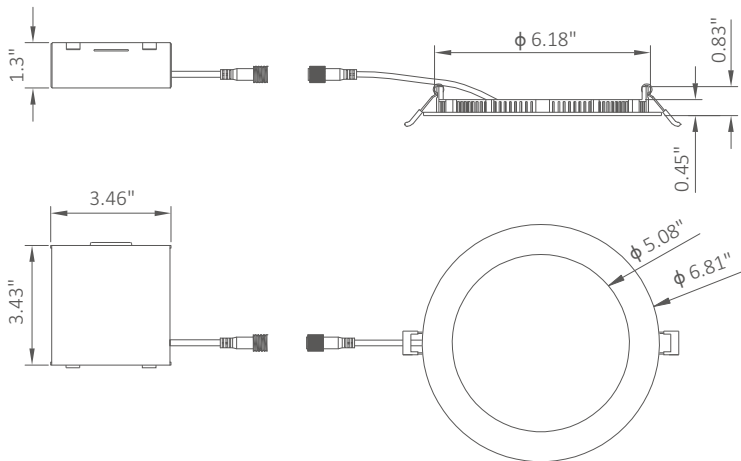
Round 3 inch



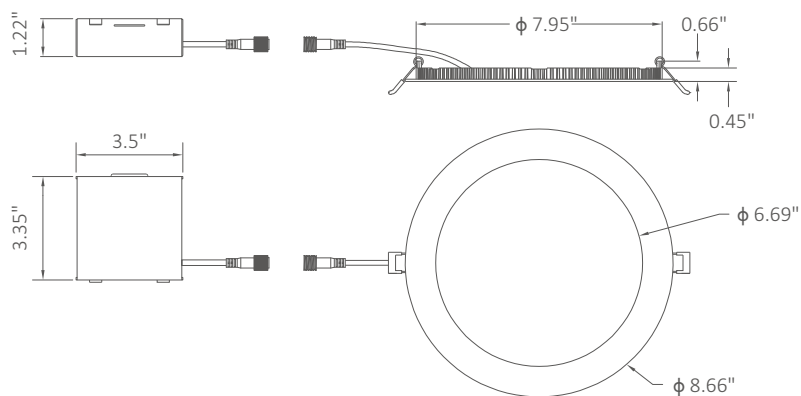
Round 4 inch



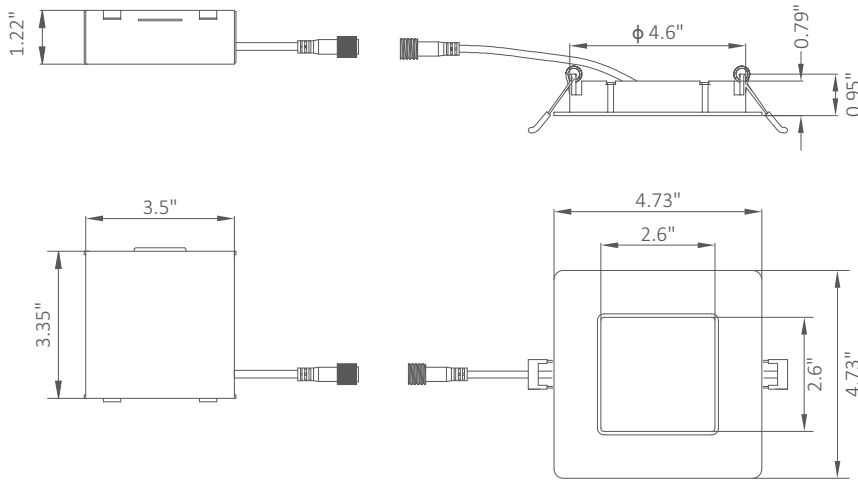
Round 6 inch



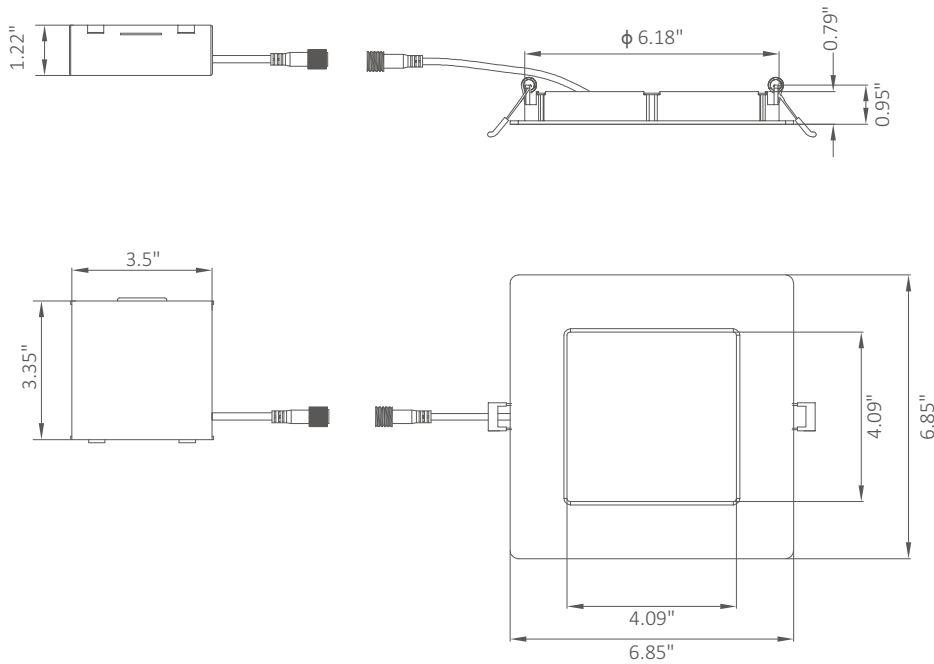
Round 8 inch



Square 4 inch



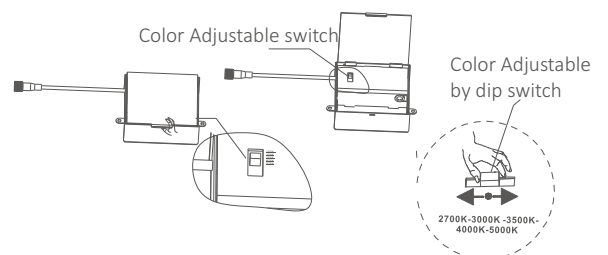
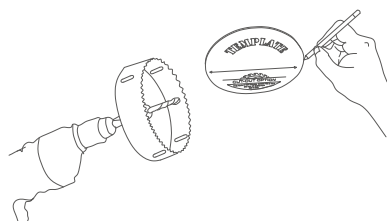
Square 6 inch



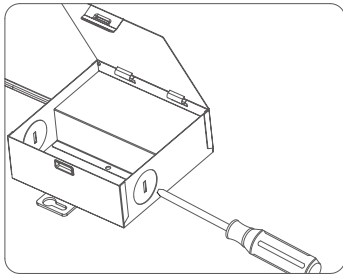
Installation drawing

LED round panel light can perfect replace traditional down light, Low light pollution, excellent protection from eyestrain.

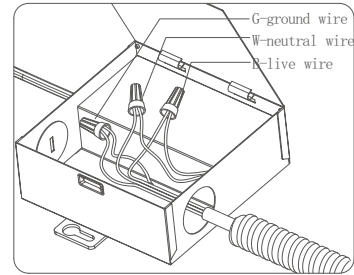
1. Turn off the main power circuit.
2. Cut a hole in the ceiling in the desired location using the template provided.
3. Before installation, please slide the dip switch to the right color temperature at the driver box.



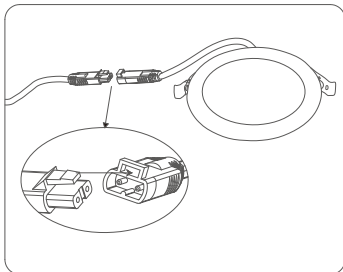
4. Remove the knockout(s) on the side(s) of the box.
5. Run the electrical wire from the power source through the knockout(s).



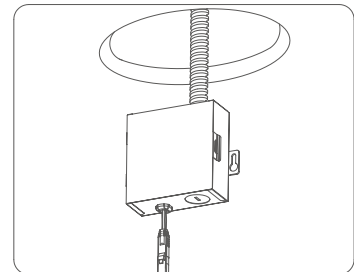
6. Connect the supply wires to the driver's wires using the connector nuts provided.
7. Tuck the connected wires inside the junction box and close the box.



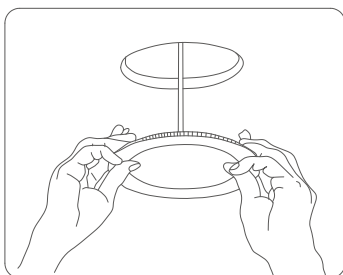
8. Connect the junction box to the slim down light, tighten the connectors by hand. The slot of the male/female connectors need to be aligned before inserted.



9. Insert the junction box through the hole in the ceiling.



10. Push the spring clips and insert the lamp into the hole in the ceiling.
11. Turn on the power of down lights and test the light.



Installation requirements

- Power off before installation;
- Drill proper hole into the ceiling according to product model;
- Connect AC wire;
- Embed the light into ceiling hole;
- Light up and test, installation finish.

Dimmer Compatibility List 12W

Number	Dimmer Brand Model	Power	Max. output current(=mA)	Min. output current(=mA)	Max. dimming ratio	Min. dimming ratio
1	LEVITON 6674	12W	268	10	93%	3%
2	LUTRON DVCL-153P	12W	267	23	93%	8%
3	LUTRON CTCL-153P	12W	267	16	93%	6%
4	LUTRON MACL-153M	12W	260	18	91%	6%
5	ELECTR/V/ART 40201	12W	280	30	98%	10%
6	LUTRON SCL-153P	12W	268	5	93%	2%
7	LEVITON 6633-P	12W	285	1	99%	0%
8	LEVITON 6613	12W	284	9	99%	3%
9	LEVITON 66EV	12W	284	59	99%	21%
10	LEVITON DDE06	12W	266	9	93%	3%
11	LUTRON SELV-303P	12W	271	19	94%	7%
12	LUTRON DVSELV-300P	12W	268	18	93%	6%

Dimmer Compatibility List 9W

Number	Dimmer Brand Model	Power	Max. output current(=mA)	Min. output current(=mA)	Max. dimming ratio	Min. dimming ratio
1	LEVITON 6674	9W	200	14	91%	6%
2	LUTRON DVCL-153P	9W	205	20	93%	9%
3	LUTRON CTCL-153P	9W	210	14	95%	6%
4	LUTRON MACL-153M	9W	207	16	94%	7%
5	ELECTR/V/ART 40201	9W	220	30	100%	14%
6	LUTRON SCL-153P	9W	208	5	95%	2%
7	LEVITON 6633-P	9W	208	1	95%	0%
8	LEVITON 6613	9W	217	9	99%	4%
9	LEVITON 66EV	9W	217	55	99%	25%
10	LEVITON DDE06	9W	204	9	93%	4%
11	LUTRON SELV-303P	9W	207	19	94%	9%
12	LUTRON DVSELV-300P	9W	206	18	94%	8%

Notice



- Please read the specification first, to make sure the service environment matches the condition in the specification before using.
- Please confirm the applicable power supply before using.
- Make sure the switch of product is off before connect to the power supply to prevent electric shock.
- Operation against rules may damage your property even harm to your personal safety.
- Preliminarily estimate required quantity of LED panel lights, then according to the power rating of single panel light to figure out the total power and design power supply plan.
- Dangerous high voltage, Non-professionals are not allowed to maintain the products.
- If the exterior flexible cable or wire is damaged, it must exchange by the supplier, its agent or other similar qualified personnels to avoid dangers.



Yijia Industrial Park, Fuqian Road, Guanlan Town, LongHua, Shenzhen, Guangdong, China

Tel:+86-755-27608650
 Fax:+86-755-27608651
www.signcomplex.com
sales@signcomplex.com