

4" & 5-6" LED Retrofit Downlight



4 inch(smooth)



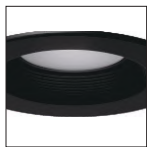
5-6 inch(smooth)



4 inch(baffle)



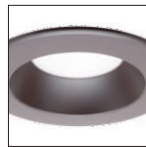
5-6 inch(baffle)



Black



White



Bronze



Description

1. Triac dimmable; 10-100% dimming
2. 5CCT adjustable, 2700K,3000K,3500K,4000K,5000K
3. The design of the side swith makes it easier to adjust the color temperature
3. No Flicker-free driver

Features

1. Adopt spinning aluminum as heat sink;
2. Unique appearance, beautiful design and gorgeous;
3. Excellent thermal management to ensure long lifetime of LED;
4. High efficiency and energy-saving LED dirver;

Compatible dimmer models are as follows

MACL-153MR-WH
SCL-153P
CL-6674
TG-600PH-LA
CL-6683
IPL06
DVCL-153P
CL-6672
MACL-153ME
DV-600P
153M-ES

Technical parameters

Model	Size	CCT	Lumen(lm) (±10%)	Beam angel	LED Type	LED QTY	Power(w) (±10%)	Voltage Frequency	CRI	PF	Dimming Type	Control method
DL207T-4-10W-5CCT (Smooth) DL207BT-4-10W-5CCT (Baffle)	4 inch	2700K	620	100°	2835	Warm White: 2835*14 Cold White: 2835*14	10W	AC120V/60Hz	>90	>0.9	Triac Dimmable (10%-100%)	Change color temperature by side dip swith
		3000K	700									
		3500K	720									
		4000K	720									
		5000k	700									
DL207T-6-15W-5CCT (Smooth) DL207BT-6-15W-5CCT (Baffle)	6 inch	2700K	920	100°	2835	Warm White: 2835*14 Cold White: 2835*14	15W	AC120V/60Hz	>90	>0.9	Triac Dimmable (10%-100%)	Change color temperature by side dip swith
		3000K	1000									
		3500K	1000									
		4000K	1100									
		5000K	1000									

Application

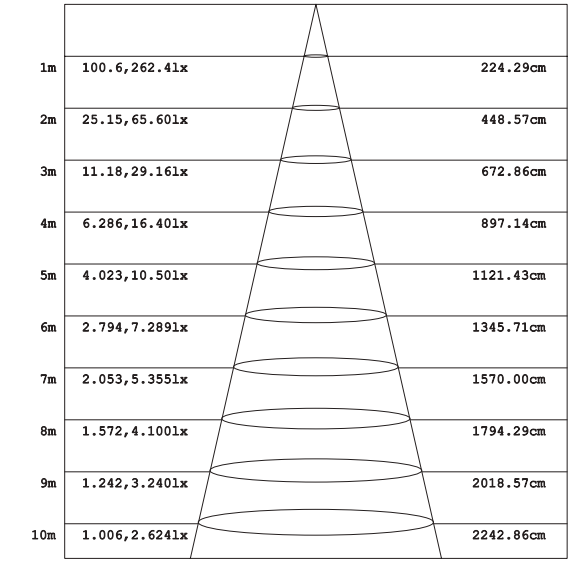
Suitable for hotel, corridor, home decoration, shopping mall, exhibition room, etc.





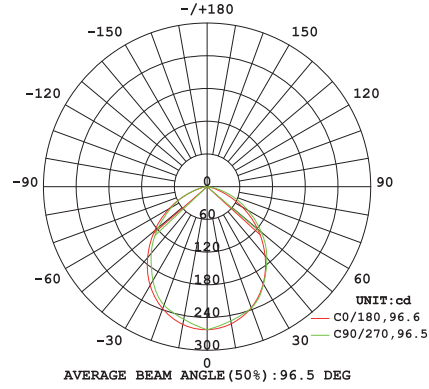
Test Report

Flux out:403.7 lm



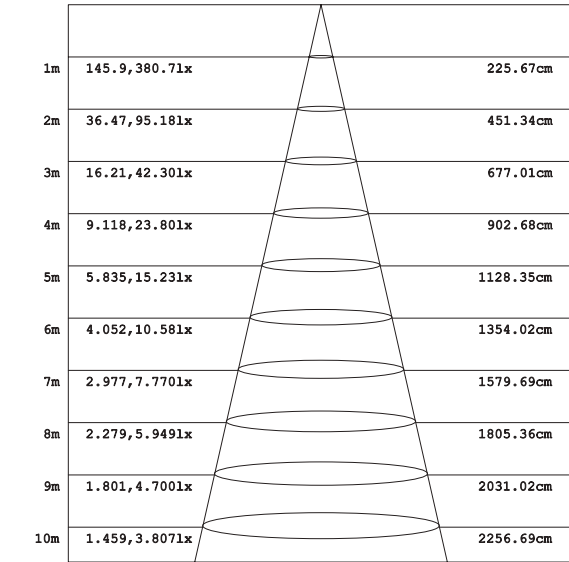
Note: The Curves indicate the illuminated area and the average illumination when the luminaire is at different distance.

LUMINOUS INTENSITY DISTRIBUTION DIAGRAM



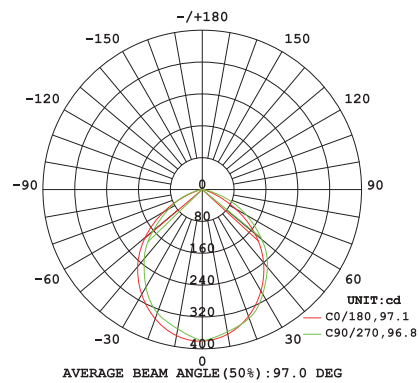
DL207BT-4-10W-5CCT(2700K)

Flux out:585.5 lm



Note: The Curves indicate the illuminated area and the average illumination when the luminaire is at different distance.

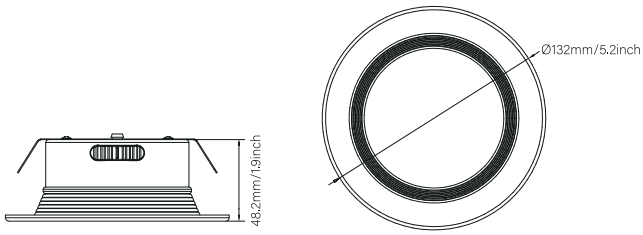
LUMINOUS INTENSITY DISTRIBUTION DIAGRAM



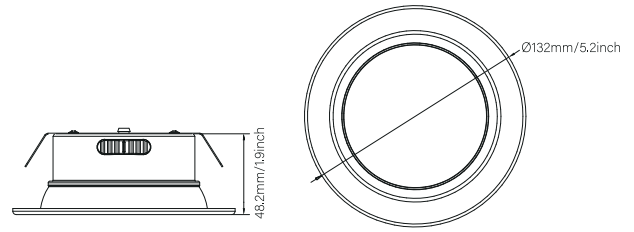
DL207BT-6-15W-5CCT(5000K)



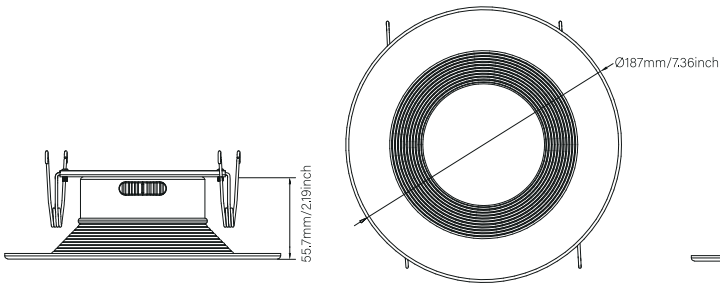
Dimensions (Unit: inch)



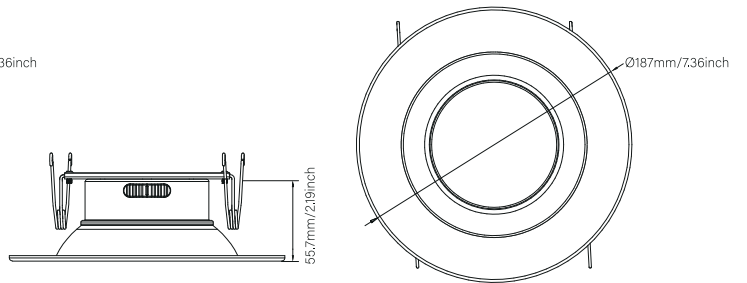
4inch Baffle



4inch Smooth

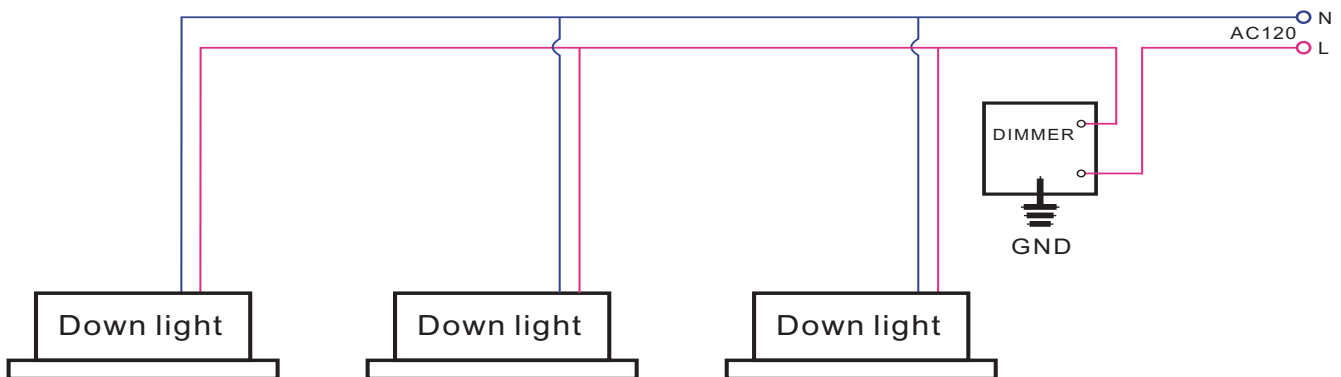


6inch Baffle



6inch Smooth

Electrical Connection:



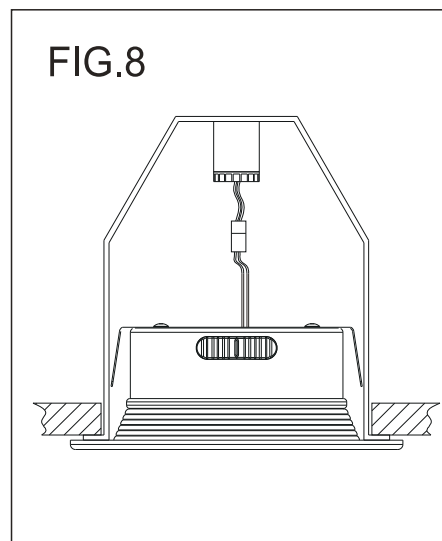
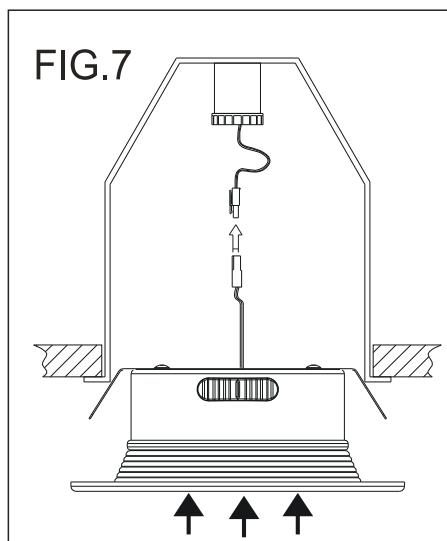
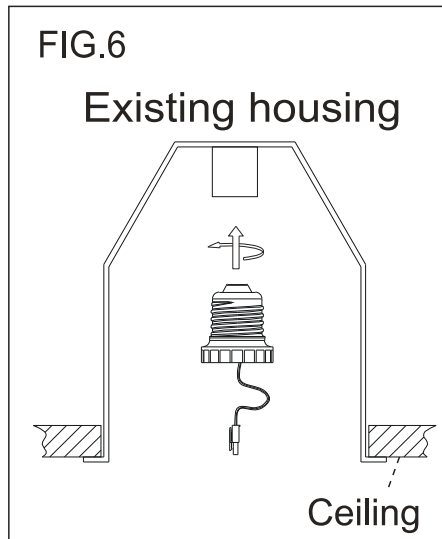
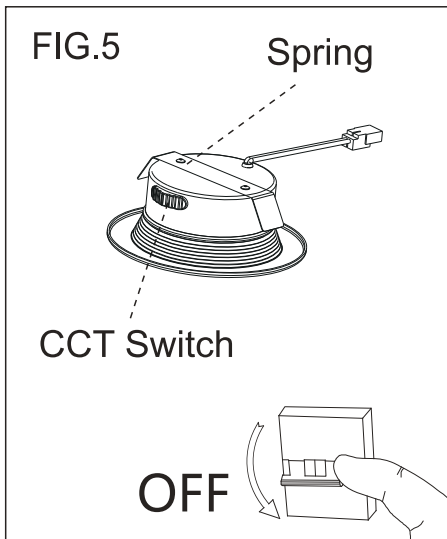


Packing information

Product size	Inner size	Carton size	Pack Quantity	Net Weight	Gross Weight
4 inch	5.51*2.36*5.51 inch	17.32*10.24*17.52 inch	1 PC/inner box 36 inner boxes/carton	0.28 lb	14.14 lb
6 inch	7.68*3.15*7.68 inch	19.88*16.14*16.14 inch	1 PC/inner box 24 inner boxes/carton	0.41 lb	15.31 lb

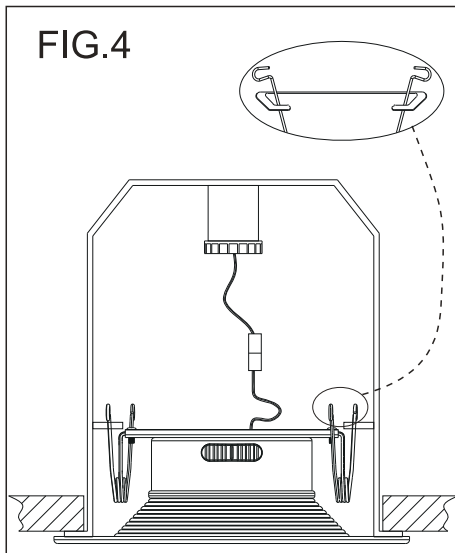
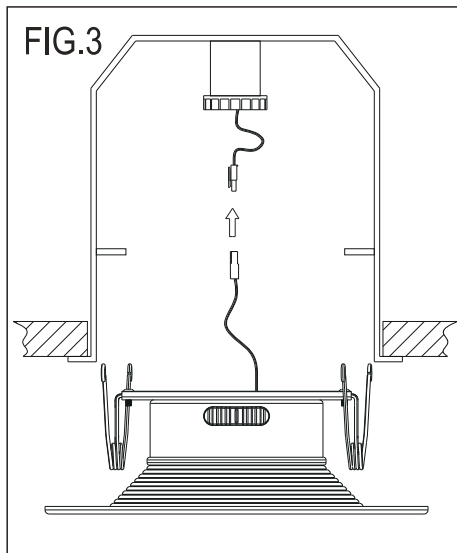
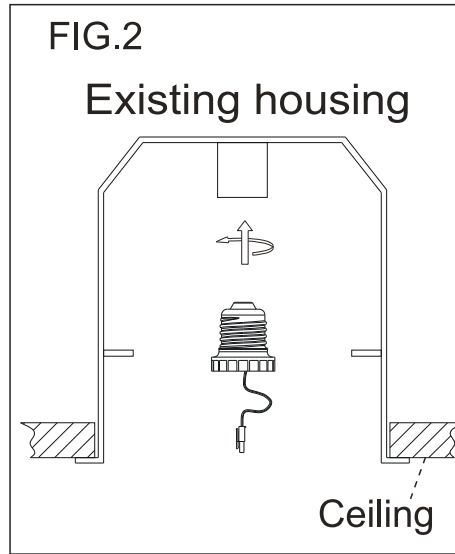
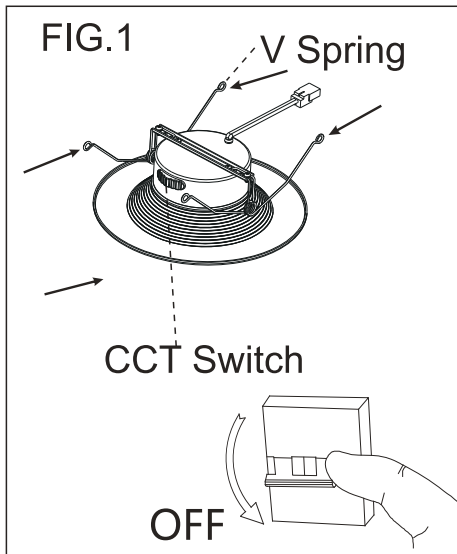
Installation drawing

4 Inch LED Retrofit Downlight:





5-6 Inch LED Retrofit Downlight:



WARNING

- “WARNING - Risk of fire or electric shock. LED Retrofit Kit installation requires knowledge of luminaires electrical systems. If not qualified, do not attempt installation. Contact a qualified electrician.” or equivalent in Format S24-L5.
- “WARNING - Risk of fire or electric shock. Install this kit only in luminaires that have the construction features and dimensions shown in the photographs and/or drawings and where the input rating of the retrofit kit does not exceed the input rating of the luminaire.” or equivalent in Format S24-L5.
- “Do not make or alter any open holes in an enclosure of wiring or electrical components during kit installation.” Verbatim in Format S24-L5.
- “WARNING - To prevent wiring damage or abrasion, do not expose wiring to edges of sheet metal or other sharp objects.” or equivalent in Format S24-L5.
- “This product must be installed in accordance with the applicable installation code by a person familiar with the construction and operation of the product and the hazards involved” or equivalent in Format S24-L4.