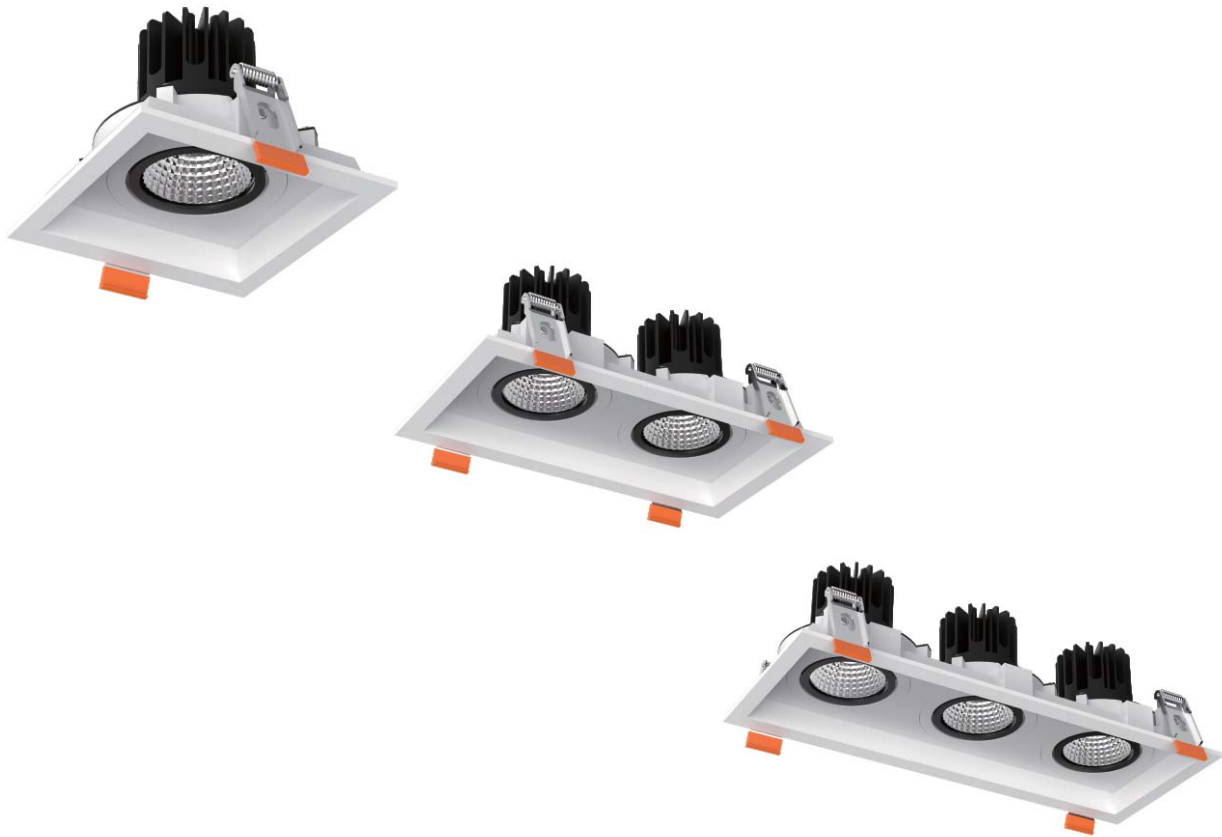


# LED Grill light

GLC1-030-R9AXX-40K-1/GLC2-060-R9AXX-40K-1/GLC3-090-R9AXX-40K-1



Available colors



## Features

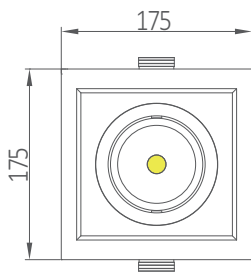
- Adopt spinning aluminum as heat sink.
- Unique and delicate looking design.
- Excellent heat dissipation performance to ensure the long lifetime of LED.
- Built-in driver integrate light as a whole.
- High-efficient and energy-saving LED driver.

## Technical parameters

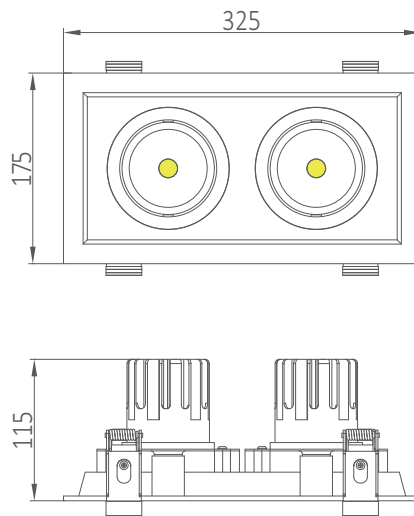
Model	Color	Lumen (Lm/W)	LED type	CCT	Power (W)	Max.Current (Amps)	Beam Angle (degree)	Voltage (VAC)	PF	CRI
GLC1-030-R9AXX-30K-1	White+black	3400	COB	3000K	30	0.15	15°/24°/36°	220-240V AC 50/60Hz	>0.9	>90
GLC1-030-R9AXX-40K-1	White+black	3588		4000K						
GLC1-030-R9AXX-50K-1	White+black	3480		5000K						
GLC2-060-R9AXX-30K-1	White+black	6500		3000K	60	0.30	15°/24°/36°			
GLC2-060-R9AXX-40K-1	White+black	6647		4000K						
GLC2-060-R9AXX-50K-1	White+black	6580		5000K						
GLC3-090-R9AXX-30K-1	White+black	9500		3000K	90	0.45	15°/24°/36°			
GLC3-090-R9AXX-40K-1	White+black	10248		4000K						
GLC3-090-R9AXX-50K-1	White+black	9700		5000K						

## Dimensions (unit: mm)

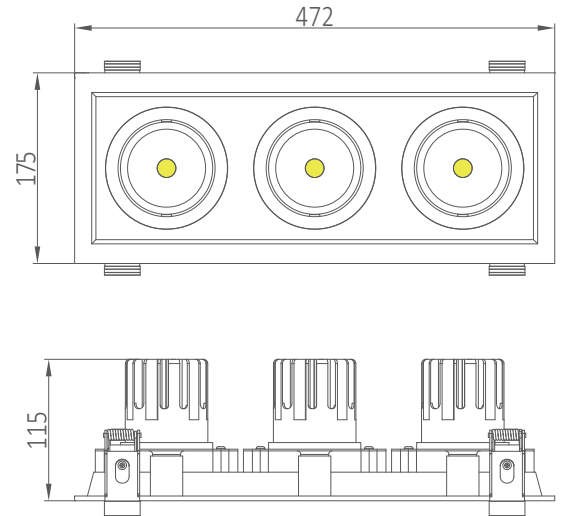
GLC1-030-R9AXX-40K-1



GLC2-060-R9AXX-40K-1

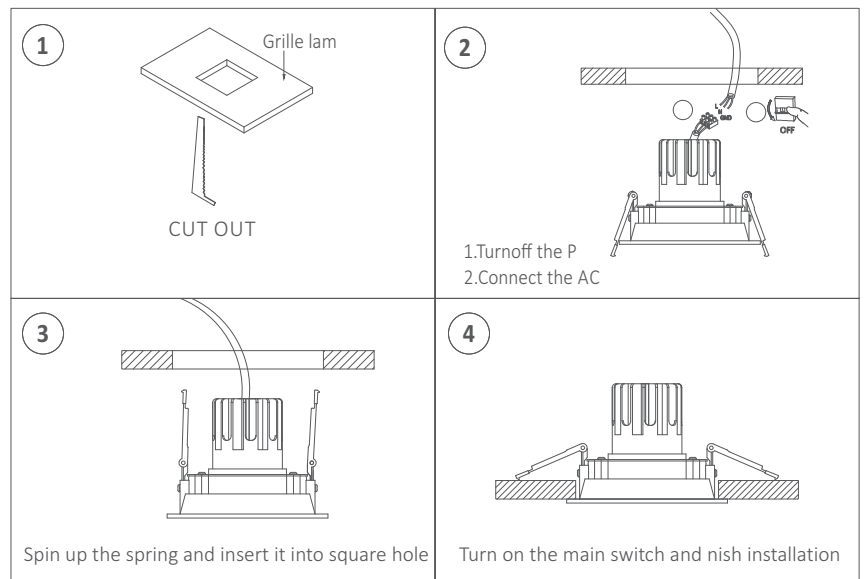


GLC3-090-R9AXX-40K-1



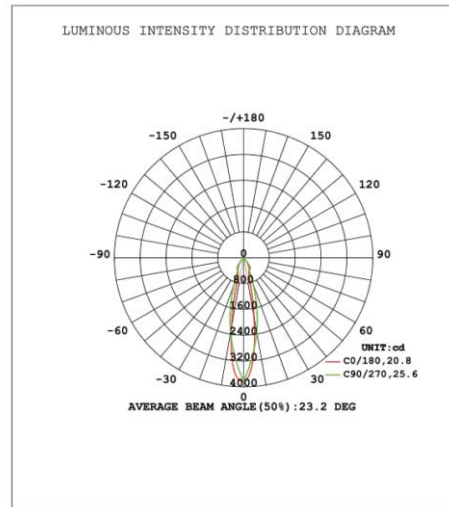
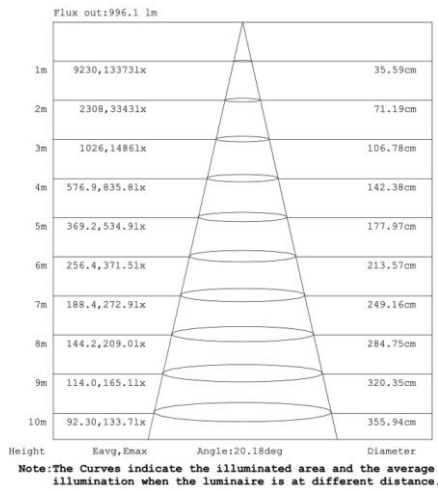
## Installation drawing

Model	CUT OUT(mm)
GLC1-030-R9AXX-40K-1	155x155 mm
GLC2-060-R9AXX-40K-1	155x300 mm
GLC3-090-R9AXX-40K-1	155x450 mm

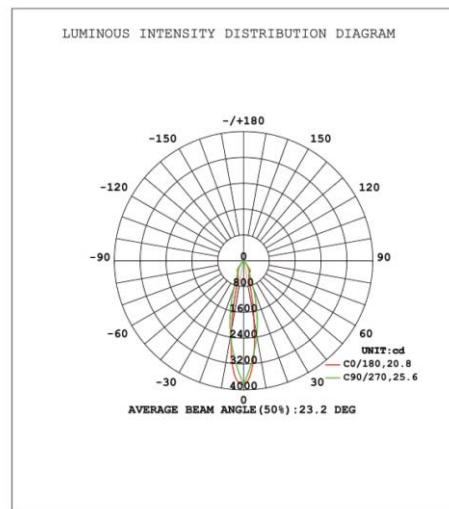
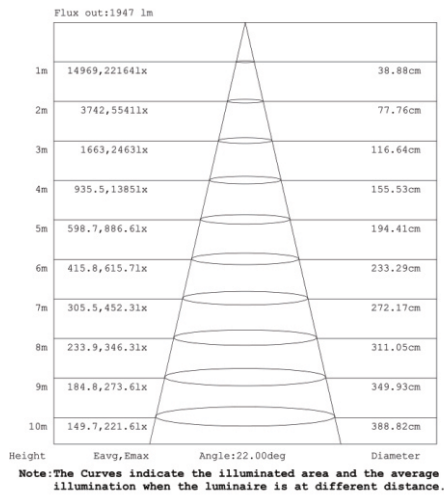


# Test report

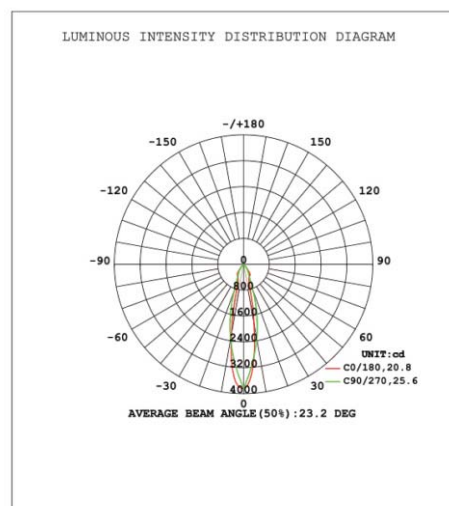
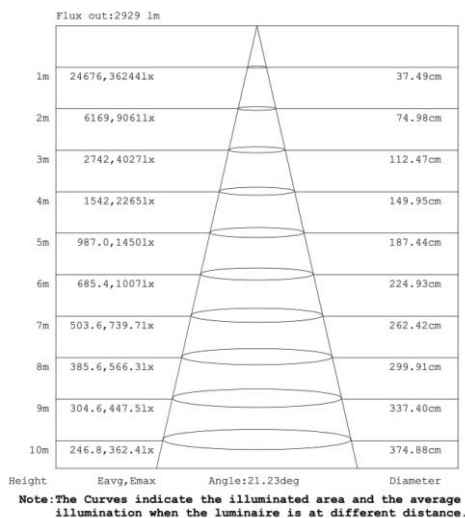
## GLC1-030-R9A24-40K-1



## GLC2-060-R9A24-40K-1



## GLC3-090-R9A24-40K-1



## Packaging information

Specification	Inner box dimension	Carton box dimension	Unit net weight	Packing qty.	Carton box gross weight
GLC1-030-R9AXX-40K-1	217*217*140mm	885*450*300mm	0.8KG	16PCS	15KG
GLC2-060-R9AXX-40K-1	367*217*140mm	750*665*300mm	1.8KG	12PCS	22.5KG
GLC3-090-R9AXX-40K-1	512*217*140mm	1040*450*300mm	2.3KG	8PCS	20KG

### Notice



- Please read the product specification carefully first to confirm that the use environment is in line with the condition on the specification before it is used.
- Please confirm the applicable power supply before use.
- When the product is connected with power supply, ensure that the switch is at the disconnected state to prevent electric shock.
- Operation against the rules may destroy your articles, or even endanger your personal safety.
- Make preliminary calculation for the quantity of light and then calculate the total power according to frequency of single light. Design the power distribution scheme.
- Dangerous high voltage. Non professional personnel should not repair.
- If the external wire of the light is damaged, it should be replaced by manufacturer or service agent or personnel with similar qualification to avoid danger.
- Common sense for handling: avoid impact or press the product with heavy objects. Handle with care during the transportation and installation process.



Yijia Industrial Park, Fuqian Road, Guanlan Town, LongHua, Shenzhen, Guangdong, China

Tel:+86-755-27608650  
 Fax:+86-755-27608651  
[www.signcomplex.com](http://www.signcomplex.com)  
[sales@signcomplex.com](mailto:sales@signcomplex.com)