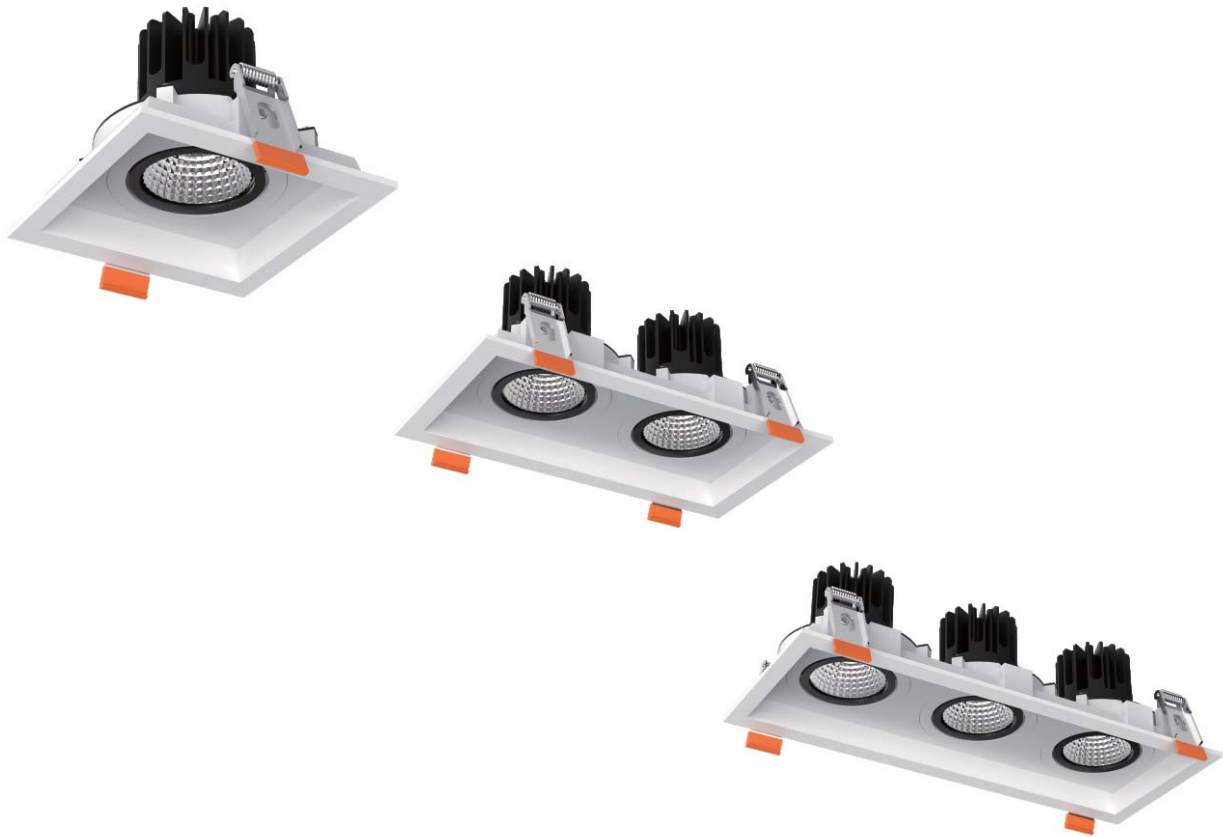


LED Grill light

GLB1-020-R9AXX-40K-1/GLB2-040-R9AXX-40K-1/GLB3-060-R9AXX-40K-1



Available colors



Features

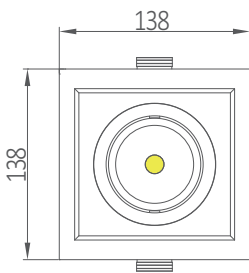
- Adopt spinning aluminum as heat sink.
- Unique and delicate looking design.
- Excellent heat dissipation performance to ensure the long lifetime of LED.
- Built-in driver integrate light as a whole.
- High-efficient and energy-saving LED driver.

Technical parameters

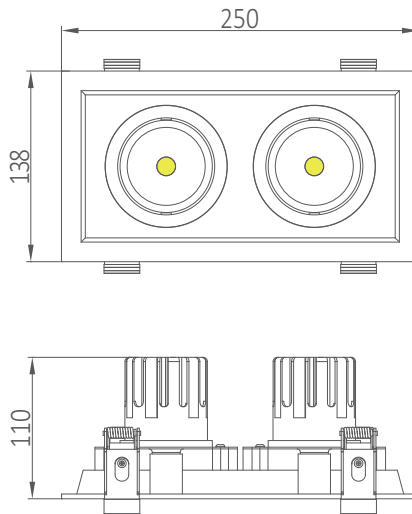
Model	Color	Lumen (Lm/W)	LED type	CCT	Power (W)	Max.Current (Amps)	Beam Angle (degree)	Voltage (VAC)	PF	CRI
GLB1-020-R9AXX-30K-1	White+black	1900	COB	3000K	20	0.1	15°/24°/36°	220-240V AC 50/60Hz	>0.9	>90
GLB1-020-R9AXX-40K-1	White+black	2025		4000K						
GLB1-020-R9AXX-50K-1	White+black	1950		5000K						
GLB2-040-R9AXX-30K-1	White+black	3700		3000K	40	0.2	15°/24°/36°			
GLB2-040-R9AXX-40K-1	White+black	3839		4000K						
GLB2-040-R9AXX-50K-1	White+black	3800		5000K						
GLB3-060-R9AXX-30K-1	White+black	5700		3000K	60	0.3	15°/24°/36°			
GLB3-060-R9AXX-40K-1	White+black	6000		4000K						
GLB3-060-R9AXX-50K-1	White+black	5800		5000K						

Dimensions (unit: mm)

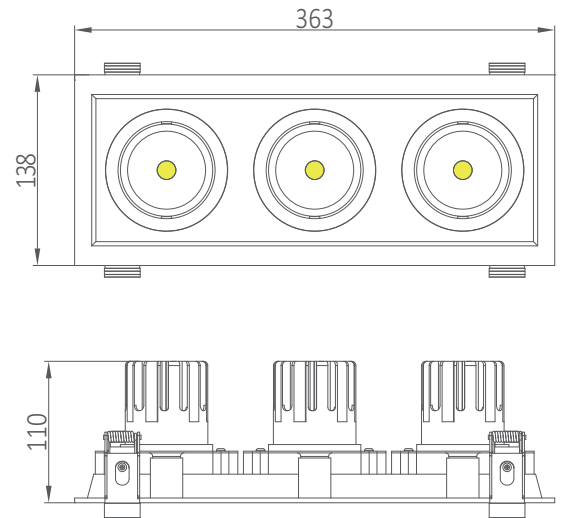
GLB1-020-R9AXX-40K-1



GLB2-040-R9AXX-40K-1

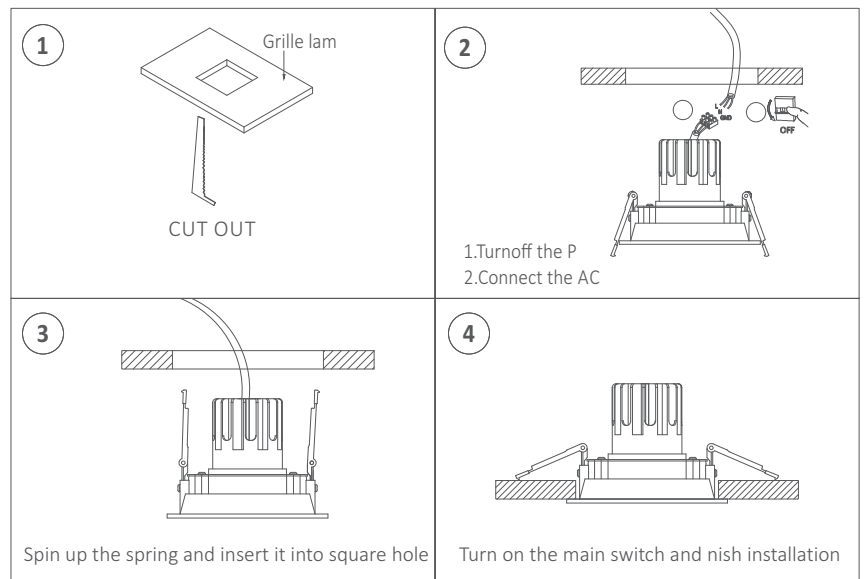


GLB3-060-R9AXX-40K-1



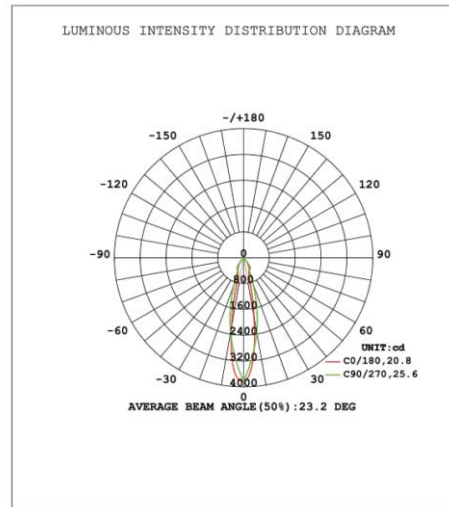
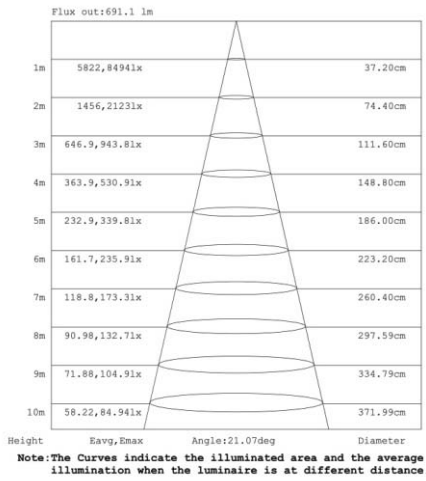
Installation drawing

Model	CUT OUT(mm)
GLB1-020-R9AXX-40K-1	120x120 mm
GLB2-040-R9AXX-40K-1	120x230 mm
GLB3-060-R9AXX-40K-1	120x345 mm

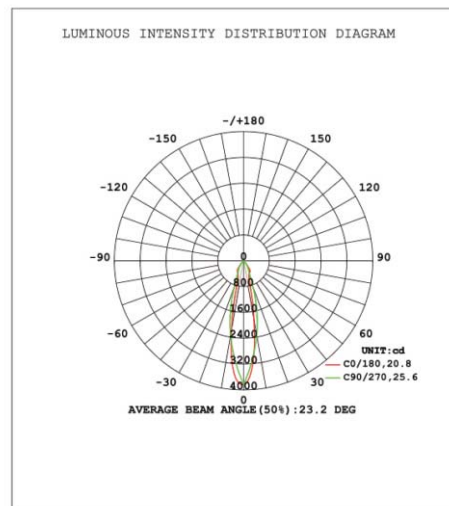
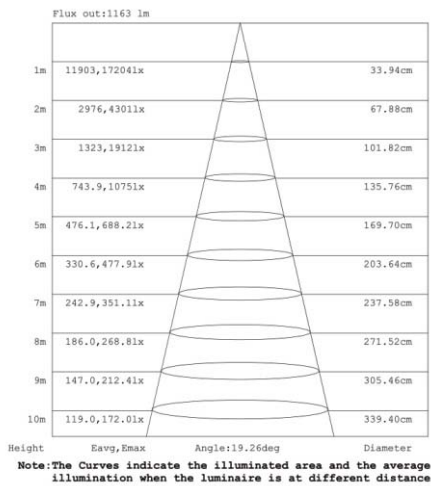


Test report

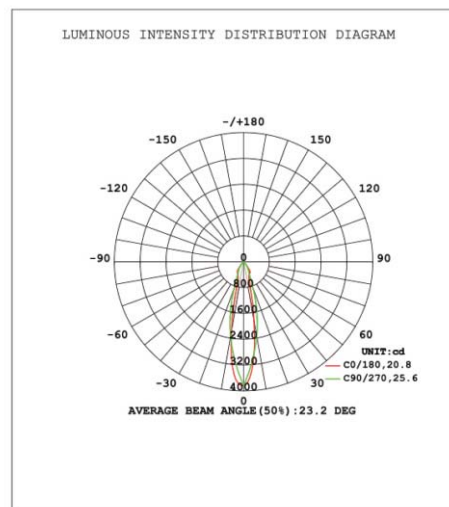
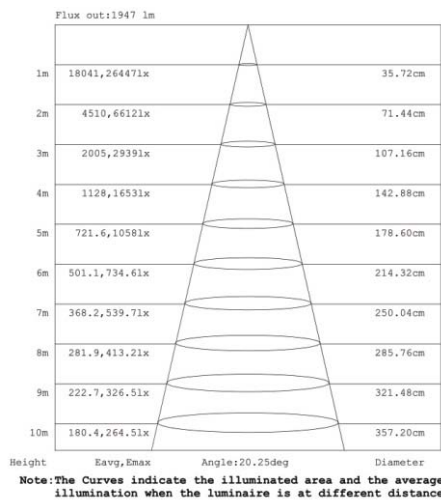
GLB1-020-R9A24-40K-1



GLB2-040-R9A24-40K-1



GLB3-060-R9A24-40K-1



Packaging information

Specification	Inner box dimension	Carton box dimension	Unit net weight	Packing qty.	Carton box gross weight
GLB1-020-R9AXX-40K-1	180*180*125mm	915*375*270mm	0.65KG	20PCS	15KG
GLB2-040-R9AXX-40K-1	292*180*125mm	890*375*270mm	1.2KG	12PCS	16KG
GLB3-060-R9AXX-40K-1	405*180*125mm	890*375*270mm	1.7KG	8PCS	15KG

Notice



- Please read the product specification carefully first to confirm that the use environment is in line with the condition on the specification before it is used.
- Please confirm the applicable power supply before use.
- When the product is connected with power supply, ensure that the switch is at the disconnected state to prevent electric shock.
- Operation against the rules may destroy your articles, or even endanger your personal safety.
- Make preliminary calculation for the quantity of light and then calculate the total power according to frequency of single light. Design the power distribution scheme.
- Dangerous high voltage. Non professional personnel should not repair.
- If the external wire of the light is damaged, it should be replaced by manufacturer or service agent or personnel with similar qualification to avoid danger.
- Common sense for handling: avoid impact or press the product with heavy objects. Handle with care during the transportation and installation process.



Yijia Industrial Park, Fuqian Road, Guanlan Town, LongHua, Shenzhen, Guangdong, China

Tel:+86-755-27608650
 Fax:+86-755-27608651
www.signcomplex.com
sales@signcomplex.com