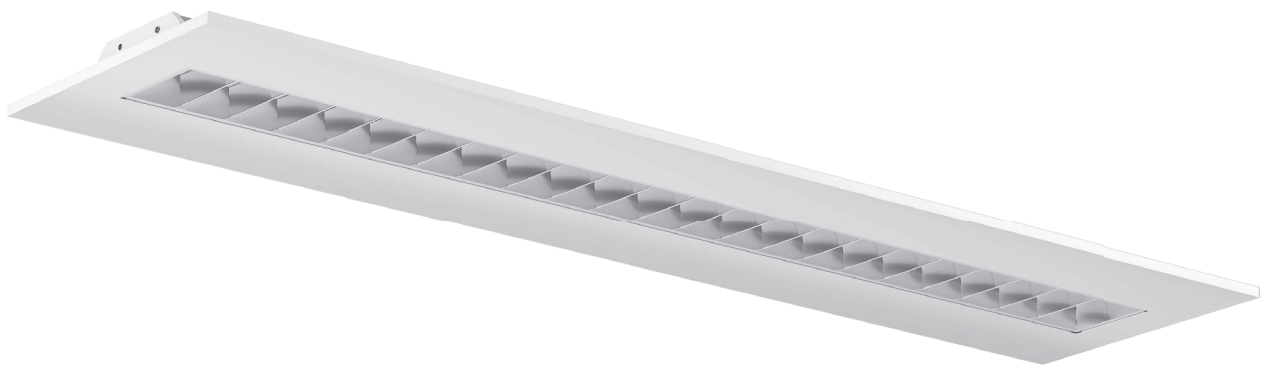
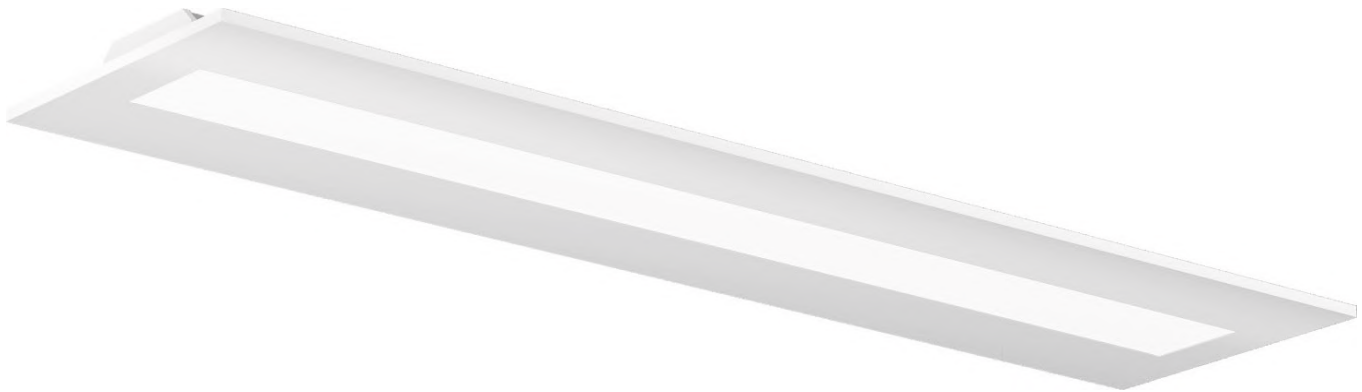


SC-GLM Series LED louveres light



louveres lens type

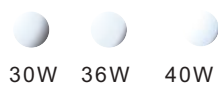


Opal lens type

Color adjustable



Power adjustable



Description

- The product is mainly used in office buildings, factories, department stores and other indoor sites. It has simple appearance, soft light, and uniform luminance. The lighting effect includes diffusion type and grille type. With adjustable color temperature through dip switch, the application scope is wide.

Features

- Three lens version for optional:lourves lens, opal lens and micro prisma lens.
- Three beam angles: 80°/90°/120°
- Aluminum lattice adopts high-quality aluminum profile
- The frame adopts iron frame, integrated molding process and stronger structure
- Three CCT and three power adjustable,save stock cost.

Application

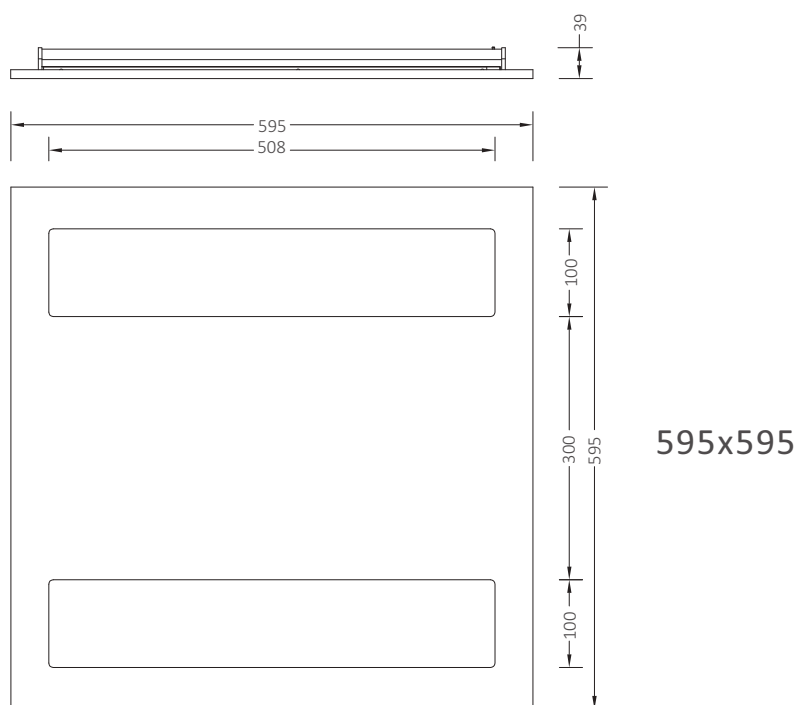
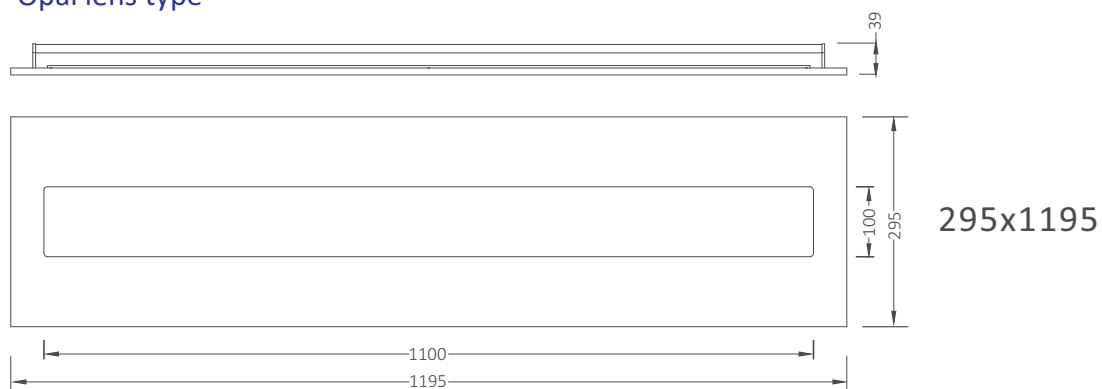
- Used in office buildings, factories, department stores and other indoor sites.

Technical Parameters

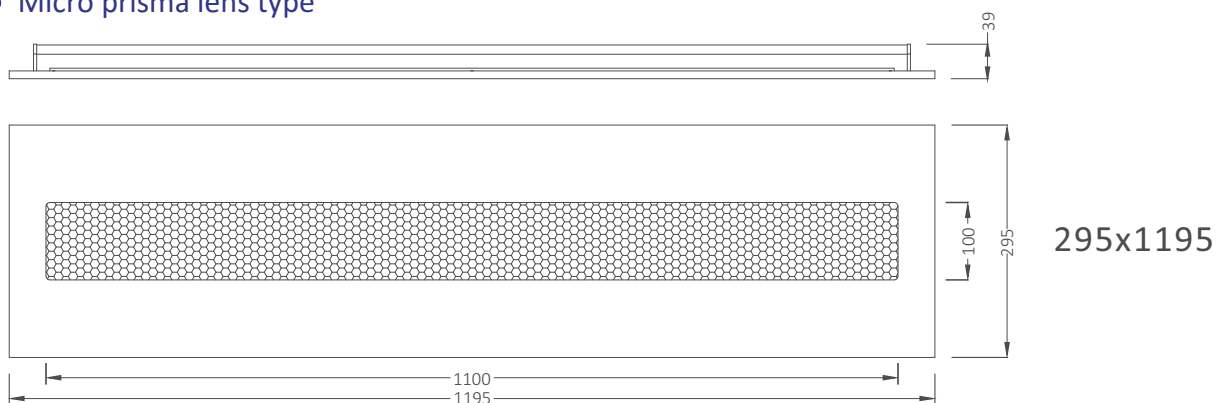
Model	lens version	lumen(lm) (±10%)	CCT	Beam angle	UGR	LED q'ty	LED type	POWER(W) (±10%)	Voltage (V)	IP	CRI	PF
SC-GLM-CCT6060-G40W	lourves lens	2700-3000	3000K-4000K-6500K	80°	<19	480	2835	30	220-240V 50/60Hz	IP40	Ra≥80	PF>0.9
		3200-3600						36				
		3300-3800						40				
SC-GLM-CCT6060-L40W	Micro prisma lens	2700-3000	3000K-4000K-6500K	90°	<19	480	2835	30	220-240V 50/60Hz	IP40	Ra≥80	PF>0.9
		3200-3600						36				
		3300-3800						40				
SC-GLM-CCT6060-P40W	Opal lens	2700-3000	3000K-4000K-6500K	110°	>19	480	2835	30	220-240V 50/60Hz	IP40	Ra≥80	PF>0.9
		3200-3600						36				
		3300-3800						40				
SC-GLM-CCT0312-G40W	lourves lens	2700-3000	3000K-4000K-6500K	80°	<19	528	2835	30	220-240V 50/60Hz	IP40	Ra≥80	PF>0.9
		3200-3600						36				
		3300-3800						40				
SC-GLM-CCT0312-L40W	Micro prisma lens	2700-3000	3000K-4000K-6500K	90°	<19	576	2835	30	220-240V 50/60Hz	IP40	Ra≥80	PF>0.9
		3200-3600						36				
		3300-3800						40				
SC-GLM-CCT0312-P40W	Opal lens	2700-3000	3000K-4000K-6500K	110°	>19	576	2835	30	220-240V 50/60Hz	IP40	Ra≥80	PF>0.9
		3200-3600						36				
		3300-3800						40				

Dimensions (unit:mm)

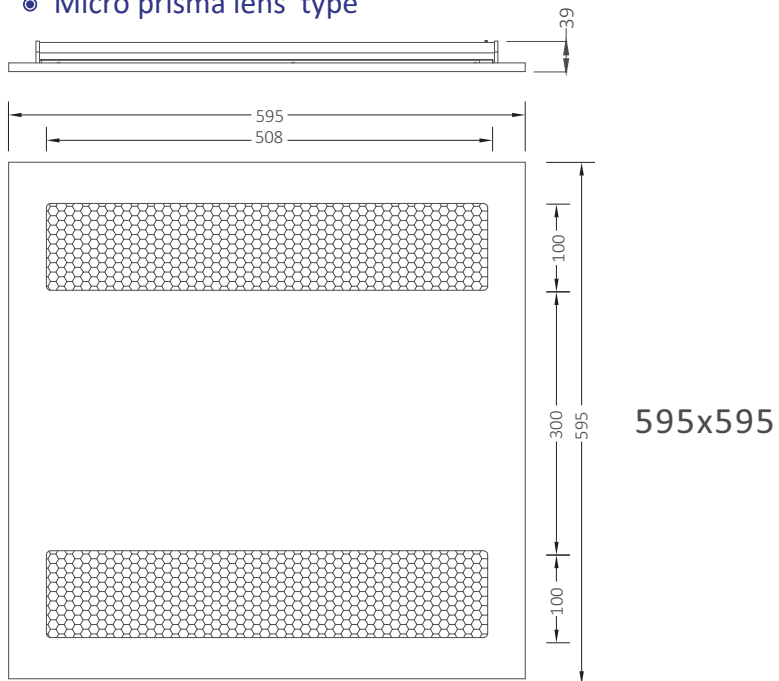
● Opal lens type



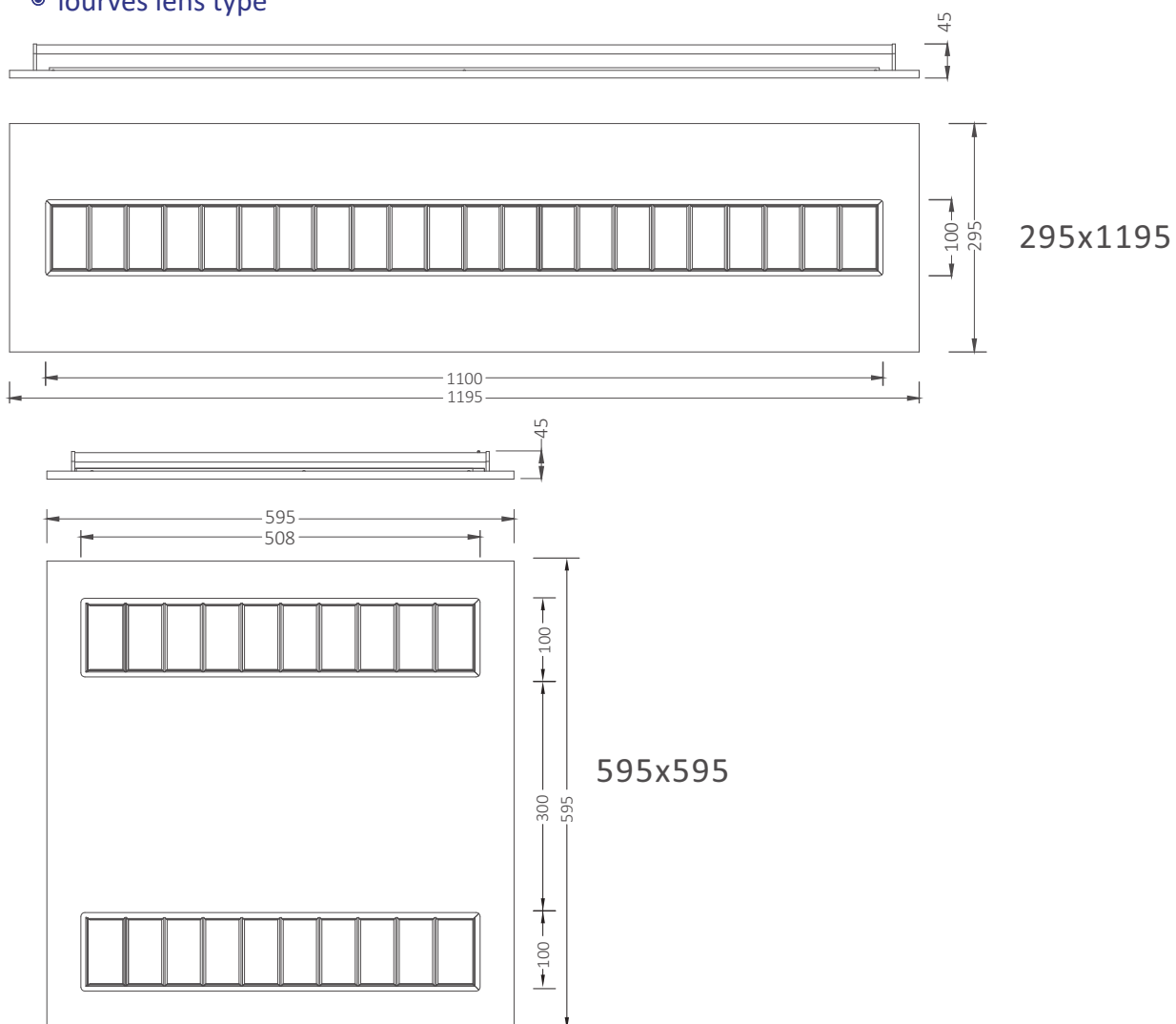
● Micro prisma lens type



● Micro prisma lens type

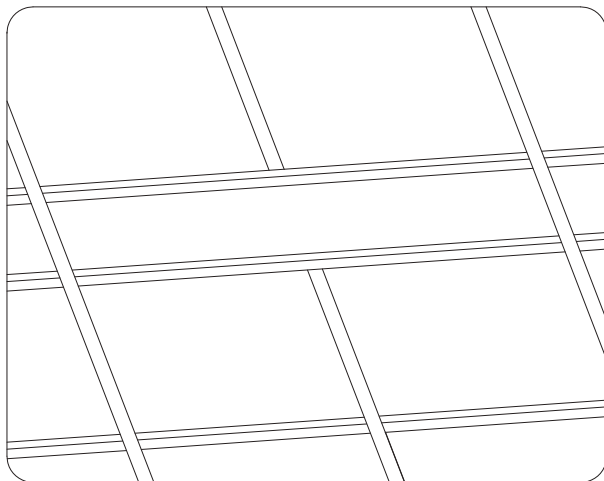


● Iourves lens type

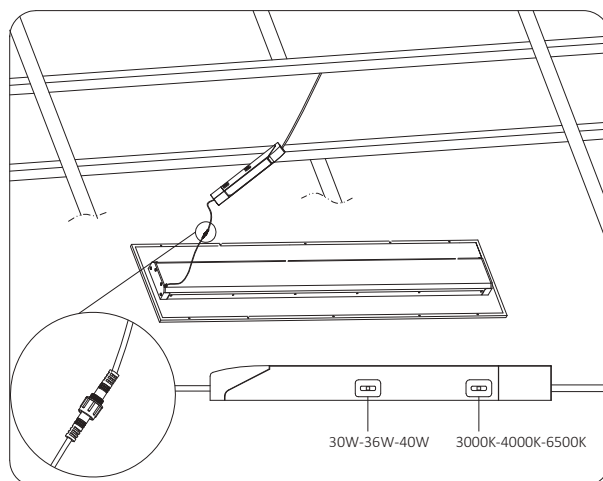


Installation

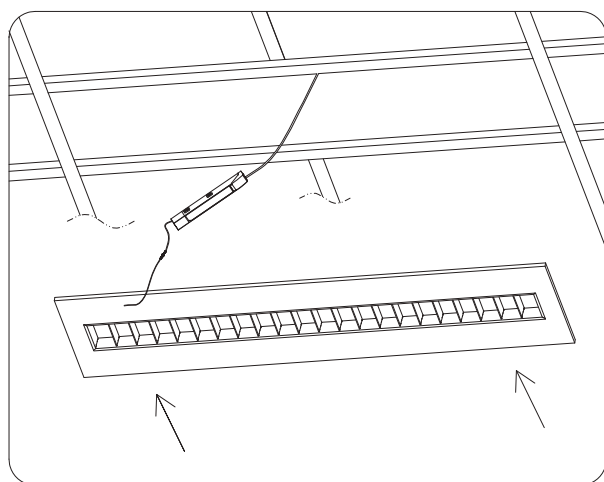
● Embedded installation



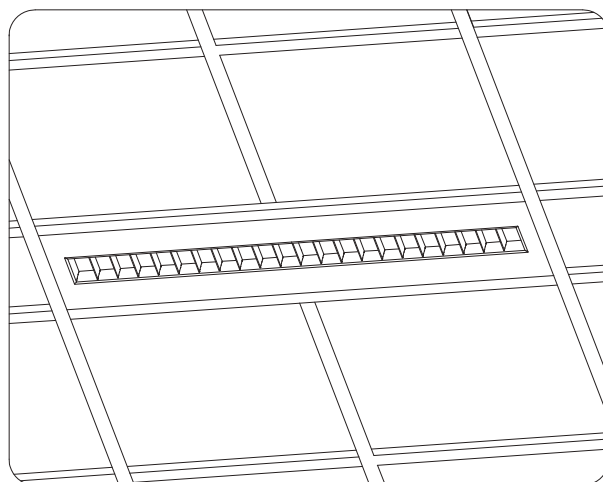
1. Remove the trim panel at the position to be installed



2. Adjust the color temperature and power on the power supply to the required level, and then connect the input and output power cables.

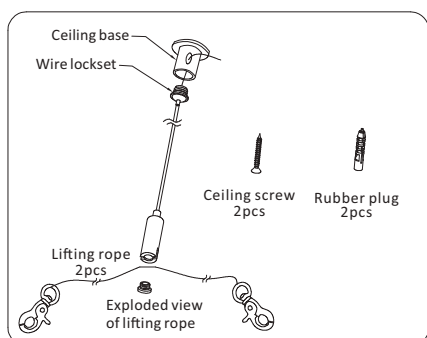


3. Put the lamp into the keel frame

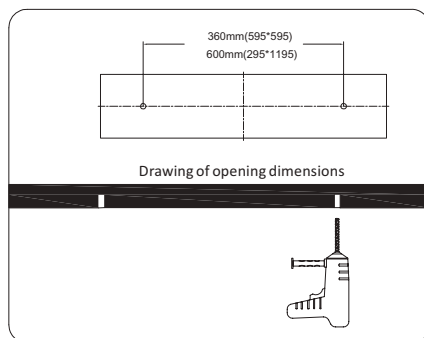


4. Installation finished

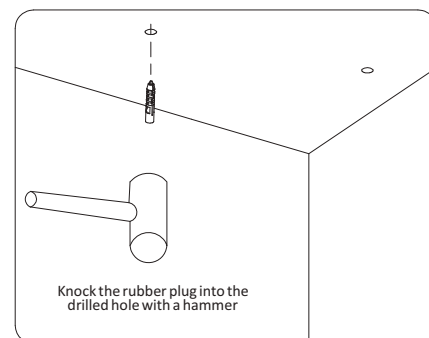
● Suspended installation



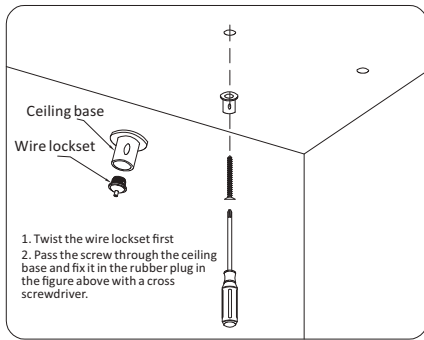
1. Accessories list



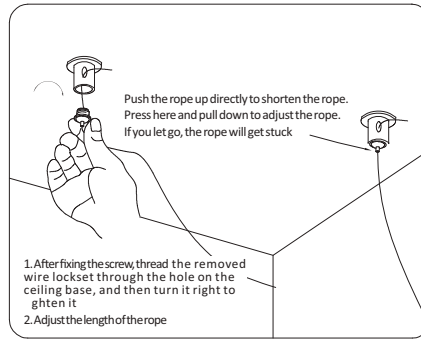
2. Drill holes with electric hammer



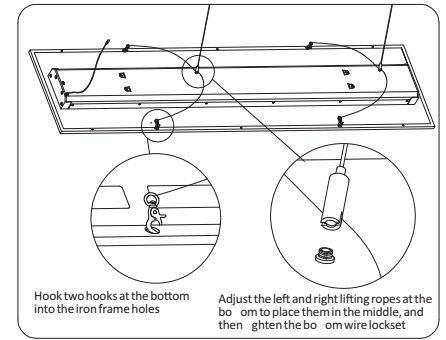
3. Install the rubber plug



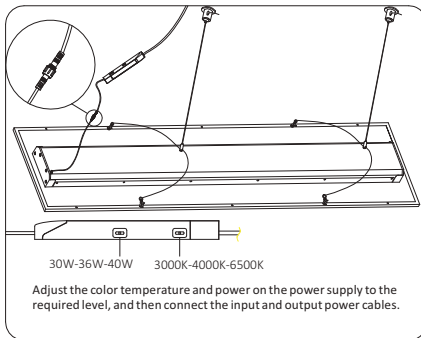
4. Fix the ceiling base



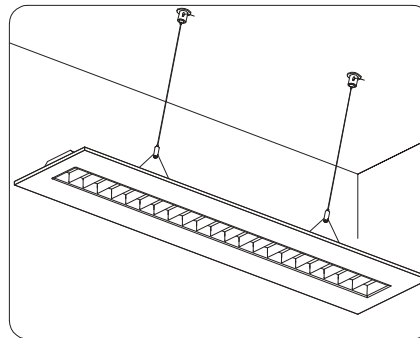
5. Install wire lockset and the lifting rope



6. Install the lamp



7. Connect AC input line



8. Installation finished

Packing information

Model	Net weight(kg)	Gross weight(kg)	Inner package size	Carton size	Packing box quantity
SC-GLM-CCT6060-G40W	3.1	19.8	635*638*71mm	655*385*660mm	5PCS
SC-GLM-CCT6060-L40W	3.07	19.6	635*638*71mm	655*385*660mm	5PCS
SC-GLM-CCT6060-P40W	3.1	19.8	635*638*71mm	655*385*660mm	5PCS
SC-GLM-CCT0312-G40W	3.1	20.5	1235*364*71mm	1255*385*385mm	5PCS
SC-GLM-CCT0312-L40W	3.1	20.5	1235*364*71mm	1255*385*385mm	5PCS
SC-GLM-CCT0312-P40W	2.9	19.5	1235*364*71mm	1255*385*385mm	5PCS

Installation Requirement

- Cut off the power supply first before installation.
- Connect the external power line with AC line matching with the light. Carry out insulation sealing at the joint properly.
- Embed the light into the ceiling with hole drilled.

Notice

- Please read the product specification carefully first to confirm that the use environment is in line with the condition on the specification before it is used.
- Please confirm the input voltage and frequency before use.
- The light must be installed by professional personnel.
- If the power cord and case of the products are damaged, it will be regarded as disqualified product and should not be used.
- Dangerous high voltage. Non professional personnel should not repair.
- The damaged external soft cable or wire of the lamp should be replaced by manufacturer or service agent or personnel with similar qualification to avoid danger.