

# 140lm/w 3014 High Light Efficiency LED Strip

## SC-IE/IE2/IE3-P



Available colors



W NW WW



## Features

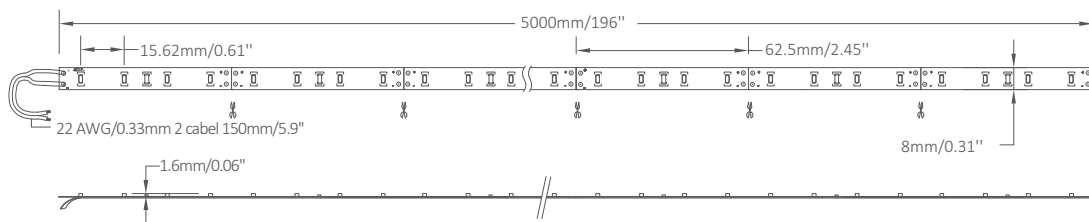
- 3014 assembled LEDs
- CRI80 or CRI90
- High efficiency up to 140LM/W
- High color consistency from order to order
- Cuttable 4pcs LEDs for 12V DC, and 8pcs LEDs for 24V DC
- 3M VHB adhesive tape for easy installation
- Standard 5M on reel for IE-PX and IE2-PX, 3M on reel for SC-IE3-PX
- 5.8W/M,11.5W/M and 17.2W for different power demand
- Different waterproof grade can meet requirements in different environments
- UL, CE, RoHS, 5 years warranty

## Technical Parameters

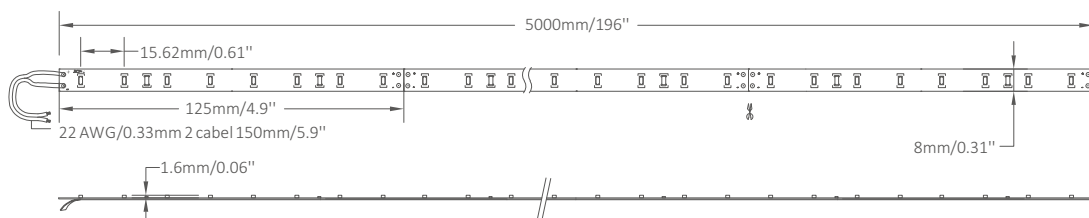
Model	Color	CCT Range	Lumen (lm/M)	LED Type	CRI	LED Qty. (PCS/M)	Rated Watt (W/M)	Max. Length (M)	Min. Length (mm)	DC Voltage (V)	Width (mm)	IP
SC-IE-PW	W	6500K-7000K	810	3014	>80	64	5.8	5	62.5	12	8	IP20/64/65/68
SC-IE-PNW	NW	4250K-4500K	800									
SC-IE-PWW	WW	2900K-3200K	740									
SC-IE2-PW	W	6500K-7000K	1610	3014	>80	128	11.5	5	31.2	12	10	IP20/64/65/68
SC-IE2-PNW	NW	4250K-4500K	1590									
SC-IE2-PWW	WW	2900K-3200K	1470									
SC-IE3-PW	W	6500K-7000K	2410	3014	>80	200	17.2	3	20	12	10	IP20/64
SC-IE3-PNW	NW	4250K-4500K	2370									
SC-IE3-PWW	WW	2900K-3200K	2200									
SC-IE-PW-24	W	6500K-7000K	810	3014	>80	64	5.8	5	125	24	8	IP20/64/65/68
SC-IE-PNW-24	NW	4250K-4500K	800									
SC-IE-PWW-24	WW	2900K-3200K	740									
SC-IE2-PW-24	W	6500K-7000K	1610	3014	>80	128	11.5	5	62.4	24	10	IP20/64/65/68
SC-IE2-PNW-24	NW	4250K-4500K	1590									
SC-IE2-PWW-24	WW	2900K-3200K	1470									
SC-IE3-PW-24	W	6500K-7000K	2410	3014	>80	192	17.2	3	39.2	24	10	IP20/64
SC-IE3-PNW-24	NW	4250K-4500K	2370									
SC-IE3-PWW-24	WW	2900K-3200K	2200									

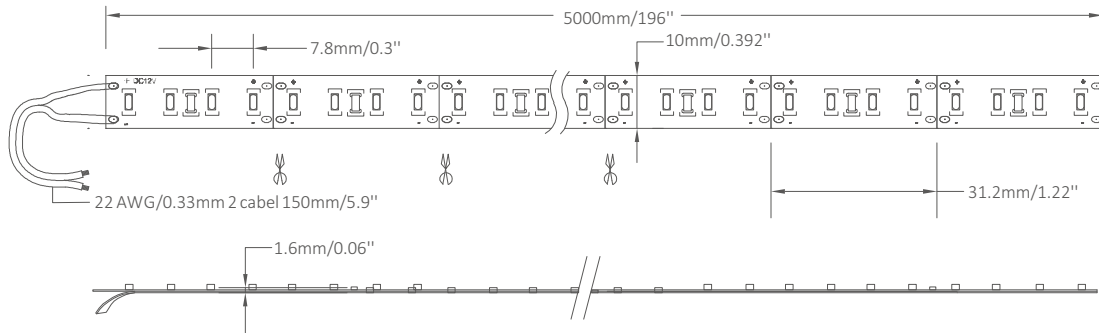
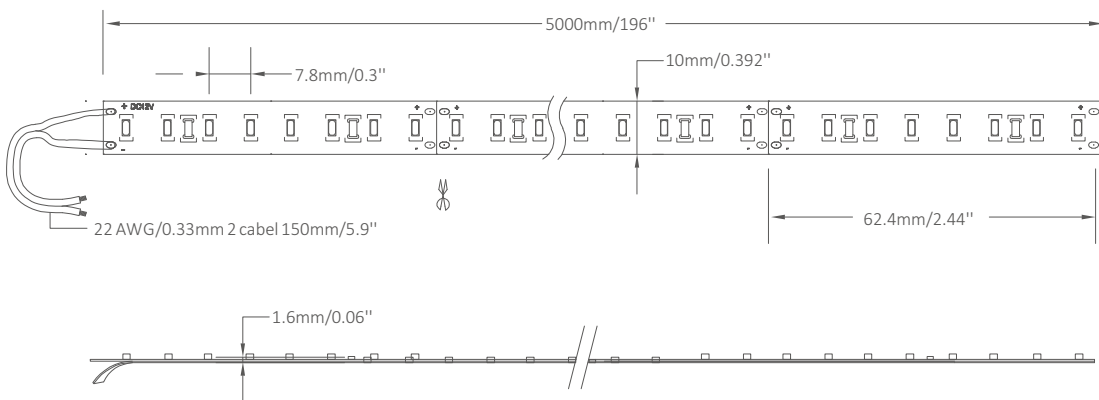
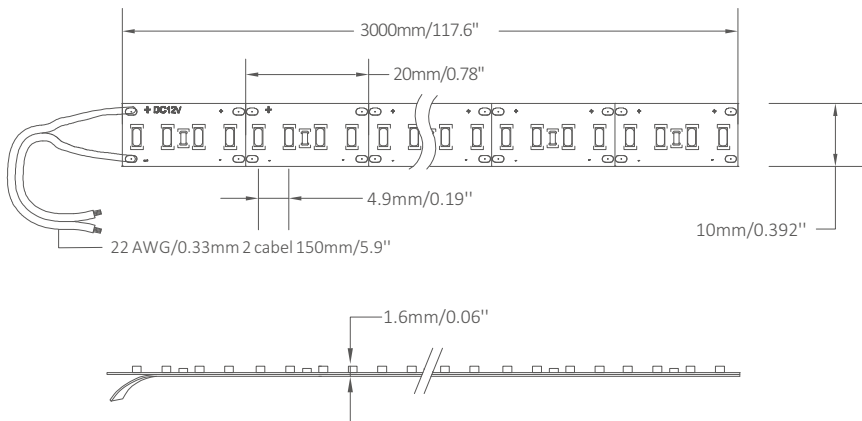
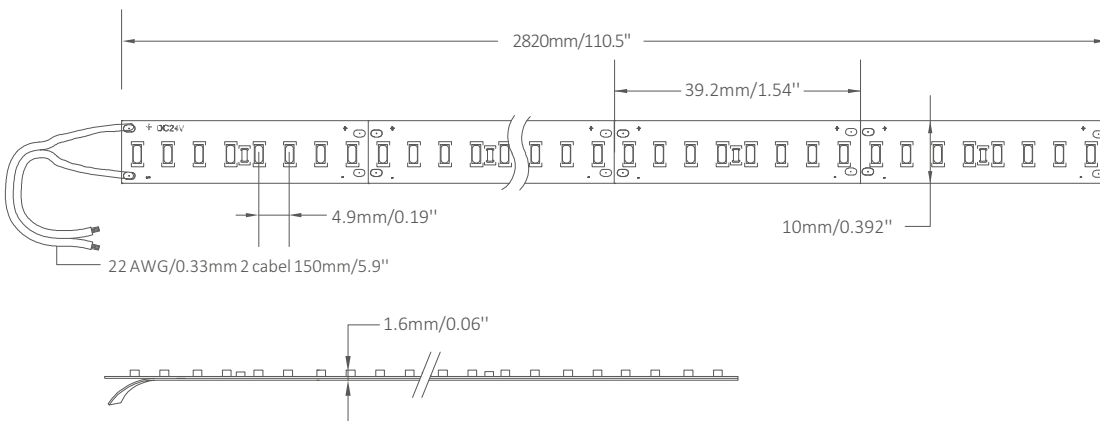
## Dimension

SC-IE-PXX-12V

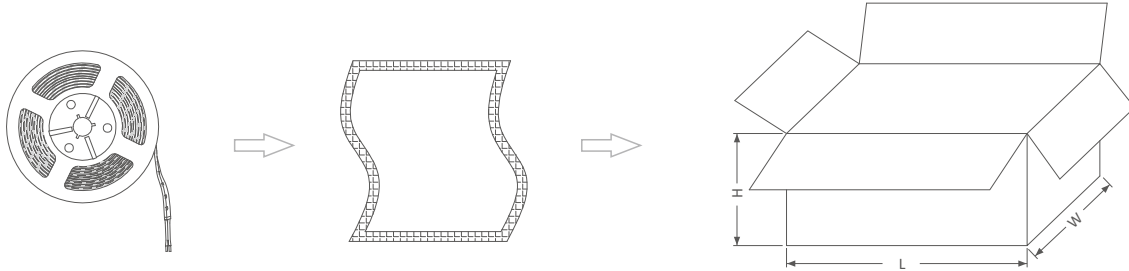


SC-IE-PXX-24V



**SC-IE2-PXX-12V**

**SC-IE2-PXX-24V**

**SC-IE3-PXX-12V**

**SC-IE3-PXX-24V**


## Packaging information



LED strip+accessories		Anti-static bag		Packing Box	
Part Number	Gross Weight per Reel(Kg)	QTY per Carton	Size(cm/inch)	Gross Weight(Kg)	
SC-IE-PXX	0.12	50	61cm*35cm*24cm 2.4"*1.38"*0.94"	6.5	

## Installation requirement

- Install the LED strip on flame-retardant surface, thickness of wood and material exceed 2mm;
- Please read the specification first, to make sure the service environment matches the conditions in the specification before using;
- The LED strip and other accessories can't be extruded and folded;
- The conducting components of PCB can't be damaged;
- Installation of LED strip must comply with electrical safety standard. Only professionals can install the LED strip;
- Install the strip according to correct positive and negative polarity, otherwise the strip will be damaged;
- For safety, recommend parallel connection; ensure power supply operate load with transformer;
- Cut LED strip according to Logo on the LED strip;
- When install on the metalil surface or conductive surface, deal the touch area with insulation;
- Please pay attention to preventing electrostatic during installation. The product can only be used in corrosion-proof environment, which avoid damp, water drop or other disadvantage elements.
- Serial connection can't exceed the max. length, and IE3 must be used with aluminum profile and other radiators;
- Cut LED strip according to the mark logo.

## Application

- Advertising billboard,
- backlit decoration,
- architecture, bar,
- dance hall,
- wine cabinet, floor, ceiling, etc.



Yijia Industrial Park, Fuqian Road, Guanlan Town, Longhua, Shenzhen, Guangdong, China

Tel:+86-755-27608650  
 Fax:+86-755-27608651  
[www.signcomplex.com](http://www.signcomplex.com)  
[sales@signcomplex.com](mailto:sales@signcomplex.com)