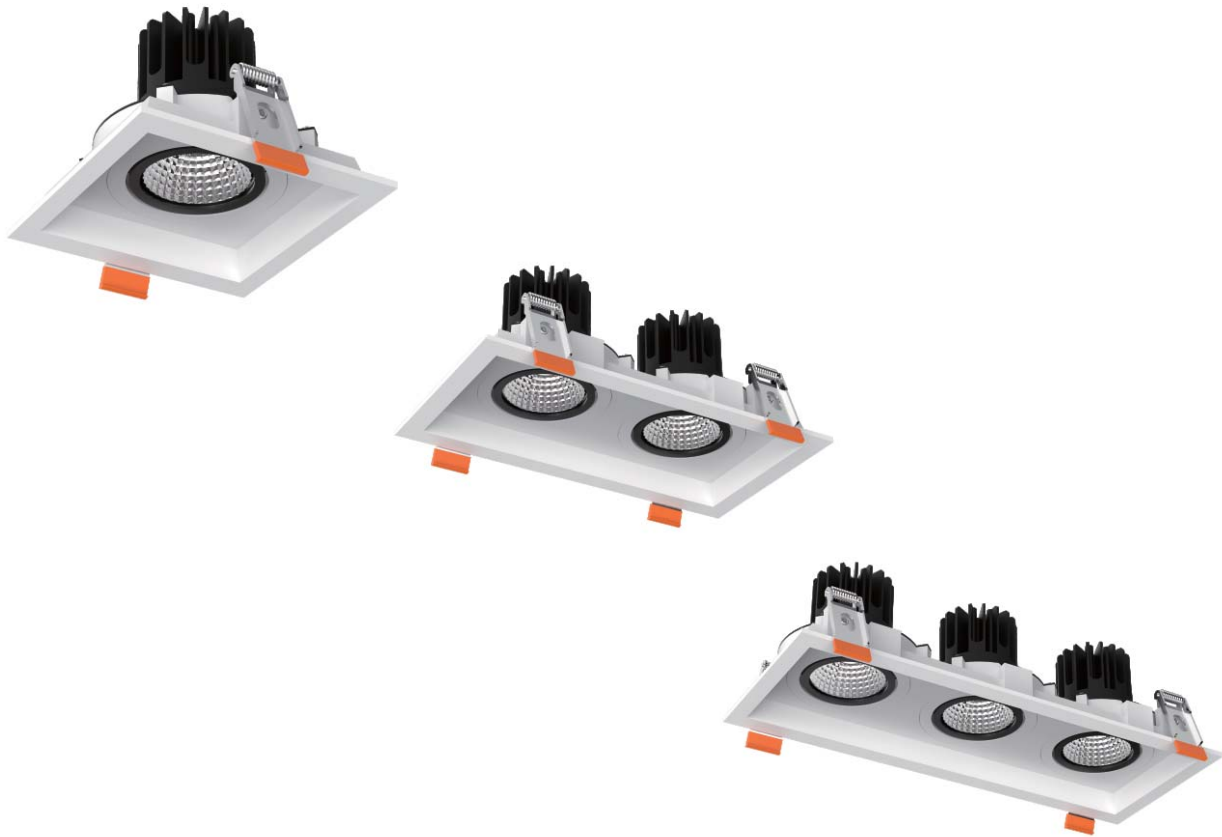
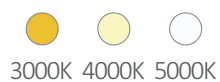


LED Grill light

GLA1-010-R9AXX-40K-1/GLA2-020-R9AXX-40K-1/GLA3-030-R9AXX-40K-1



Available colors



3000K 4000K 5000K

Features

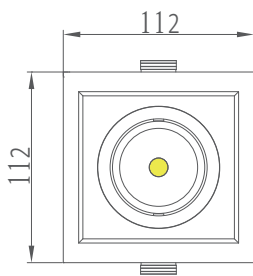
- Adopt spinning aluminum as heat sink.
- Unique and delicate looking design.
- Excellent heat dissipation performance to ensure the long lifetime of LED.
- Built-in driver integrate light as a whole.
- High-efficient and energy-saving LED driver.

Technical parameters

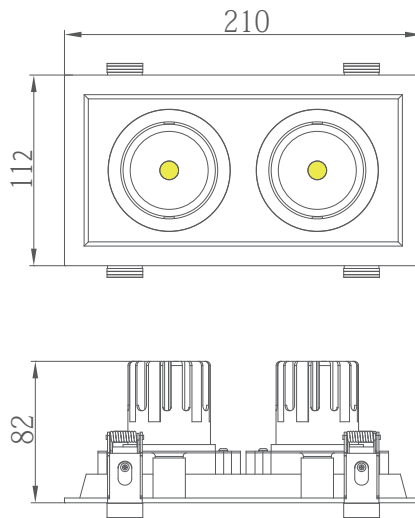
Model	Color	Lumen (Lm/W)	LED type	CCT	Power (W)	Max.Current (Amps)	Beam Angle (degree)	Voltage (VAC)	PF	CRI
GLA1-010-R9AXX-30K-1	White+black	950	COB	3000K	10	0.06	15°/24°/36°	220-240V AC 50/60Hz	>0.9	>90
GLA1-010-R9AXX-40K-1	White+black	1042		4000K						
GLA1-010-R9AXX-50K-1	White+black	1000		5000K						
GLA2-020-R9AXX-30K-1	White+black	2090		3000K	20	0.10	15°/24°/36°			
GLA2-020-R9AXX-40K-1	White+black	2133		4000K						
GLA2-020-R9AXX-50K-1	White+black	2000		5000K						
GLA3-030-R9AXX-30K-1	White+black	2885		3000K	30	0.15	15°/24°/36°			
GLA3-030-R9AXX-40K-1	White+black	3108		4000K						
GLA3-030-R9AXX-50K-1	White+black	3034		5000K						

Dimensions (unit: mm)

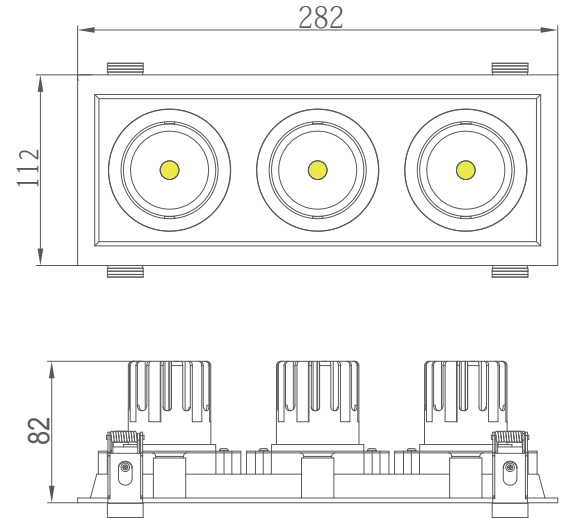
GLA1-010-R9AXX-40K-1



GLA2-020-R9AXX-40K-1

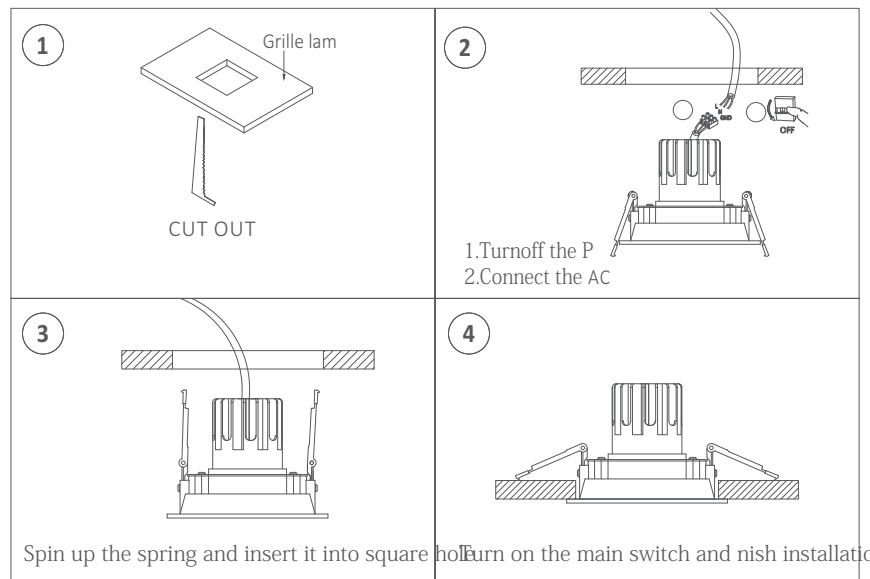


GLA3-030-R9AXX-40K-1



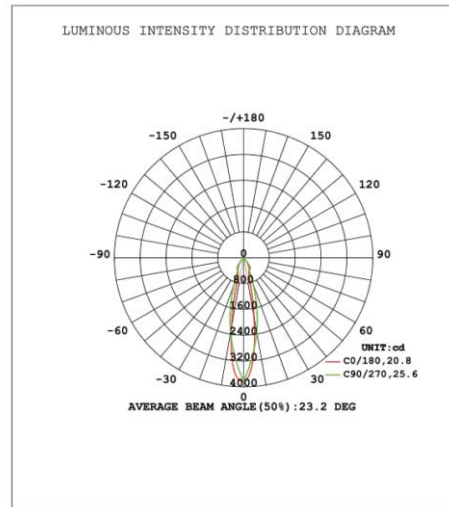
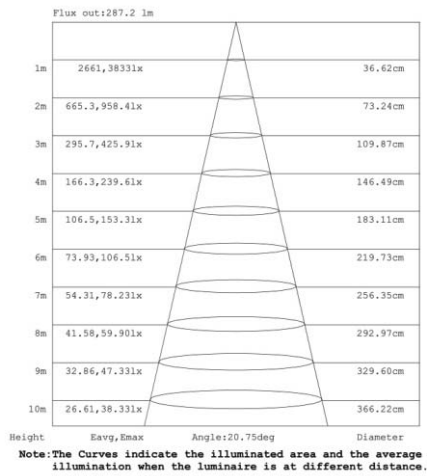
Installation drawing

Model	CUT OUT(mm)
GLA1-010-R9AXX-40K-1	90x90 mm
GLA2-020-R9AXX-40K-1	90x190 mm
GLA3-030-R9AXX-40K-1	90x260 mm

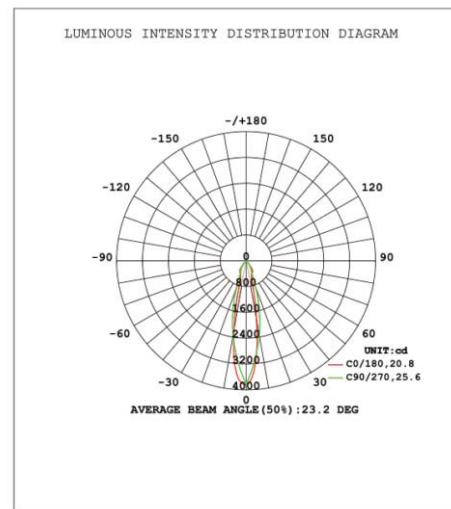
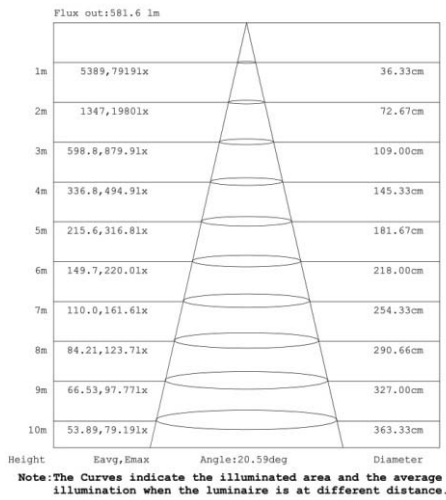


Test report

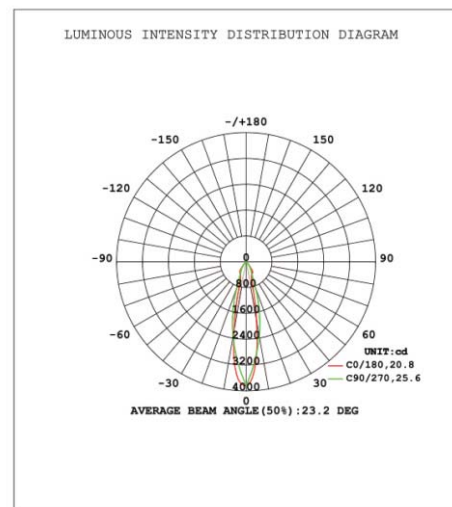
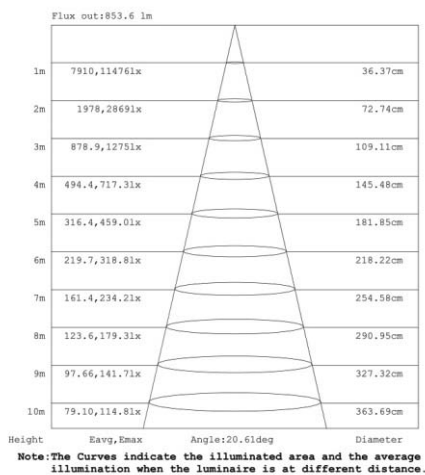
GLA1-010-R9A24-40K-1



GLA2-020-R9A24-40K-1



GLA3-030-R9A24-40K-1



Packaging information

Specification	Inner box dimension	Carton box dimension	Unit net weight	Packing qty.	Carton box gross weight
GLA1-010-R9AXX-40K-1	155*155*110mm	790*325*240mm	0.4KG	20PCS	10.5KG
GLA2-020-R9AXX-40K-1	252*155*110mm	770*325*240mm	0.9KG	12PCS	12KG
GLA3-030-R9AXX-40K-1	325*155*110mm	665*325*240mm	1.1KG	8PCS	10KG

Notice



- Please read the product specification carefully first to confirm that the use environment is in line with the condition on the specification before it is used.
- Please confirm the applicable power supply before use.
- When the product is connected with power supply, ensure that the switch is at the disconnected state to prevent electric shock.
- Operation against the rules may destroy your articles, or even endanger your personal safety.
- Make preliminary calculation for the quantity of light and then calculate the total power according to frequency of single light. Design the power distribution scheme.
- Dangerous high voltage. Non professional personnel should not repair.
- If the external wire of the light is damaged, it should be replaced by manufacturer or service agent or personnel with similar qualification to avoid danger.
- Common sense for handling: avoid impact or press the product with heavy objects. Handle with care during the transportation and installation process.



Yijia Industrial Park, Fuqian Road, Guanlan Town, LongHua, Shenzhen, Guangdong, China

Tel:+86-755-27608650
 Fax:+86-755-27608651
www.signcomplex.com
sales@signcomplex.com