

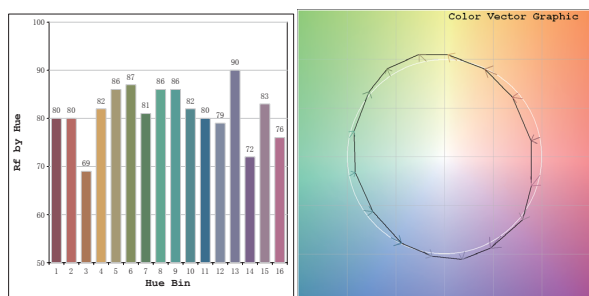


Full Spectrum 2835 high power strip

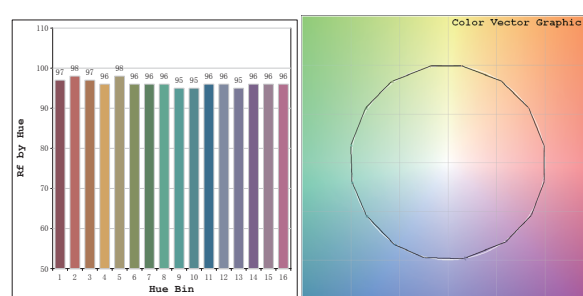


Features:

1. Full spectrum
2. 2835 assembled LEDs
3. CRI97 complying with TM-30-15 standards
4. Rg greater than 100 with high saturation
5. Rf close to 100, degree of reduction of products
6. CE, ROHS, 3-year quality assurance
7. Shear connection is used to meet demands of different lengths



CRI 70



CRI 97



Application:

1. Fresh food zone
2. Museum
3. Hospital
4. Photo studio
5. Place requiring high color rendering



Technical parameters:

Model	Colour	Lumen (LM/M)	LED Type	LED Qty. (LED/M)	Width* Length(mm)	Beam angle(°)	Voltage (DC)	Rated Watt (w)	IP
SC-2835TM-XX	WW	440	2835	30	8*5000	120	12/24	7.2	20/64/65/68
	W	500							
	NW	490							
	SWW	420							
SC-2835TM-XX2	WW	880	2835	60	10*5000	120	12/24	14.4	20/64/65/68
	W	1010							
	NW	980							
	SWW	840							
SC-2835TM-XX3	WW	1760	2835	120	10*3000	120	12/24	28.8	20/64
	W	2020							
	NW	1960							
	SWW	1680							

SC-2835TMD-XX	IP64	Slim PU glue potted	
SC-2835TMD-XX2			
SC-2835TMD-XX3			
SC-2835TMS-XX	IP65	Silicon sleeved	
SC-2835TMS-XX2			
SC-2835TMP-XX	IP65	PU glue potted	
SC-2835TMP-XX2			
SC-SF-2835TM-XX	IP68	Silicon extrusion	
SC-SF-2835TM-XX2			



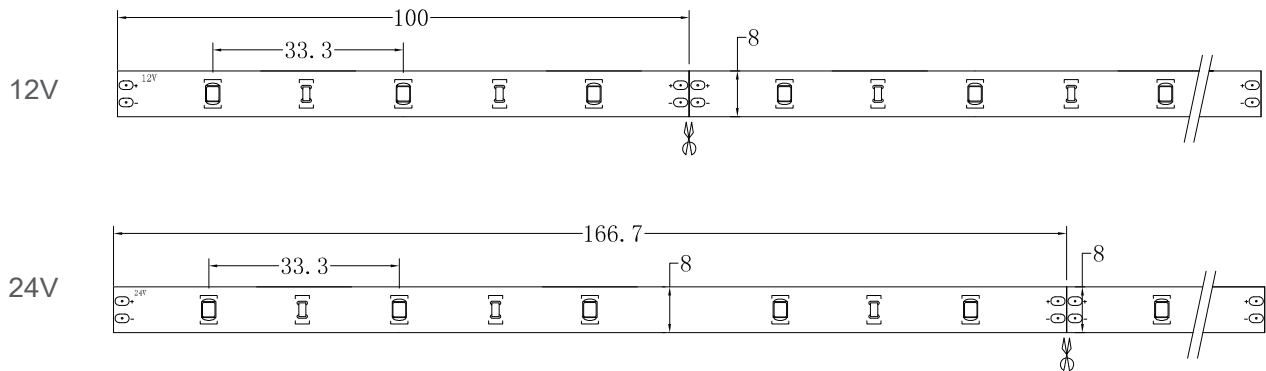
Accessories Table

	SC-C1-8/10	SC-C2-8/10	SC-C3/10	CON-1-8/10	CON-2-8/10	CON-3-8/10
Model						
SC-2835TM-XX	√	√	√	√	√	√
SC-2835TM-XX2	√	√	√	√	√	√
SC-2835TM-XX3	√	√	√	√	√	√

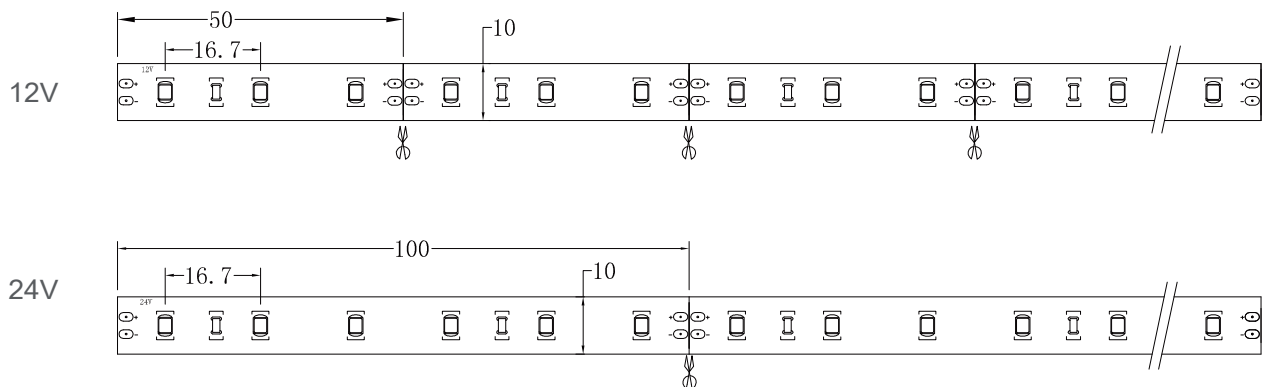
Dimension & Circuit Drawings:

Unit(MM)

SC-2835TM-XX

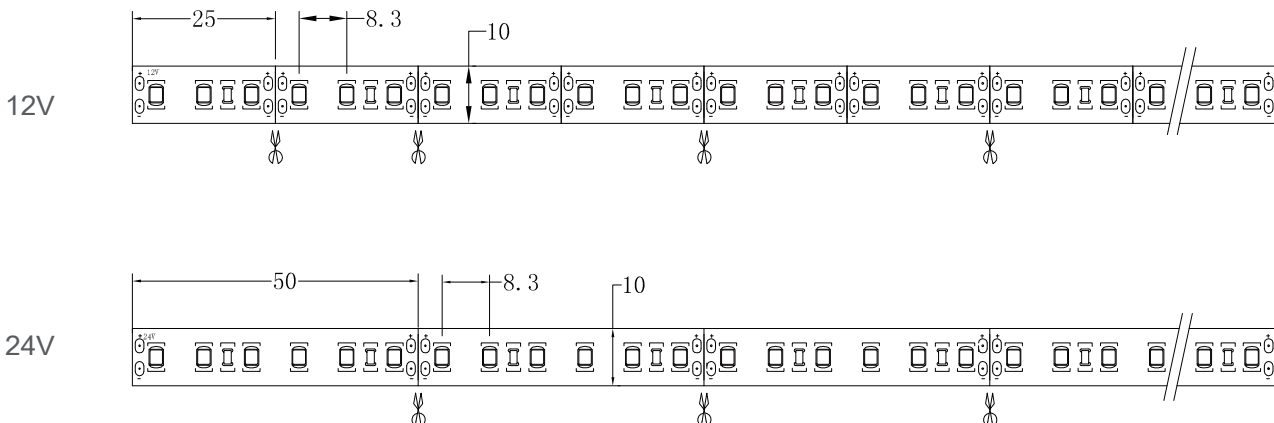


SC-2835TM-XX2

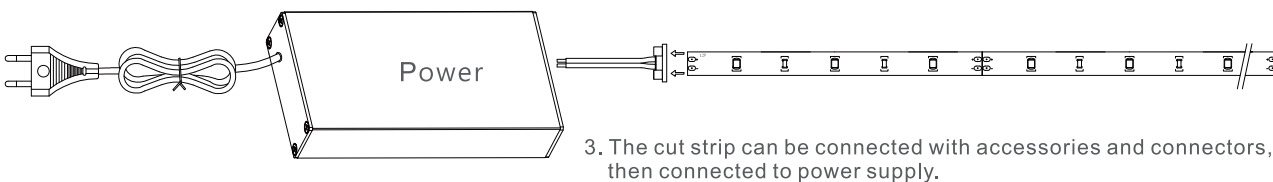
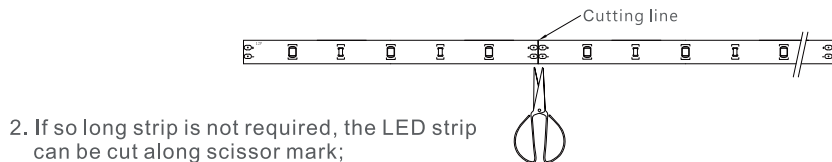
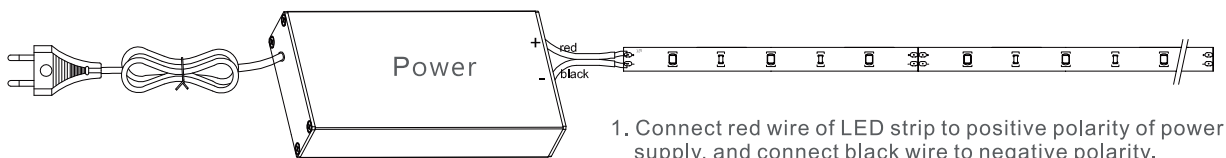




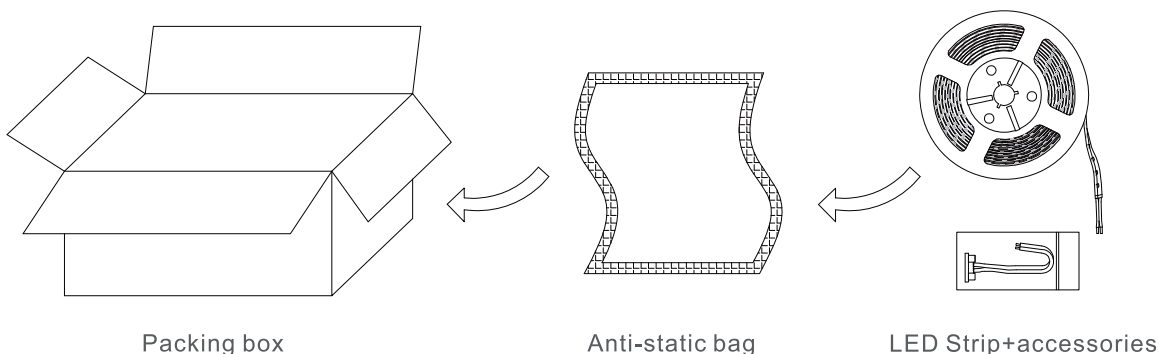
SC-2835TM-XX3



Connecting & Installation Diagram:



Packing instruction:





Installation requirement:

- 1.The light bar and other accessories should be free of pressure.
- 2.Transductant of the circuit board should not be damaged at the time of installation;
- 3.Installation of the light bar should only be conducted at the condition complying with electric safety standard and by professional personnel;
- 4.Ensure that the power supply is transformed by transformer for the load;
- 5.when it is installed on metal or conduct code, insulation protection is required at the contacting parts
- 6.Observe the polarity before installation for correct connection to prevent damage to light bars.
- 7.Prevent electric leakage at the time of installation;
- 8.Anti-corrosive environment should be provided to the product such as avoidance of unfavorable factors of water balls.

27 June, 2018