



## SC-IG-LED strip SC-IG2-LED strip SC-IG3-LED strip



### Features:

1. 2835 assembled LEDs
2. CRI80
3. Can be cut to meet requirements of different length;
4. CE, RoHS, 3 years warranty;
5. Different waterproof grade can meet requirements in different environments;
6. Customized packing.

### Features:

1. Stage lighting
2. Festival, activities, exhibition lighting, etc
3. Backlight of signage
4. Contour lighting
5. LED luminous characters
6. Landscape decoration lighting



## Technical parameters:

Model	Colour	Lumen	LEDs Type	LEDs Qty.	Beam angle	DC voltage	Rated power	IP	CRI
SC-IG-PX	White	760	2835	32	120	12/24	5.8	20/64/ 65/68	80
	Warm white	660							
	Neutral White	740							
SC-IG2-PX	White	1530	2835	64	120	12/24	11.5	20/64/ 65/68	80
	Warm white	1330							
	Neutral White	1490							
SC-IG3-PX	White	2880	2835	120	120	12/24	21.6	20/64	80
	Warm white	2500							
	Neutral White	2800							

SC-IG-PX	SC-IG1D-PX	IP64	Slim PU glue potted	
	SC-IG1P-PX	IP65	PU glue potted	
	SC-IG1S-PX		Silicon sleeved	
	SC-SF-IG1-PX	IP68	Silicon extrusion and glued	
SC-IG2-PX	SC-IG2D-PX	IP64	Slim PU glue potted	
	SC-IG2P-PX	IP65	PU glue potted	
	SC-IG2S-PX		Silicon sleeved	
	SC-SF-IG2-PX	IP68	Silicon extrusion and glued	
SC-IG3-PX	SC-IG3D-PX	IP64	Slim PU glue potted	

## Accessories :

Model	SC-C1-8/10	SC-C2-8/10	SC-C3/10	L-connector	T-connector	CON-1-8/10	CON-2-8/10	CON-3-8/10
SC-IG1-X	✓	✓	✓			✓	✓	✓
SC-IG2-X	✓	✓	✓			✓	✓	✓
SC-IG3-X	✓	✓	✓			✓	✓	✓

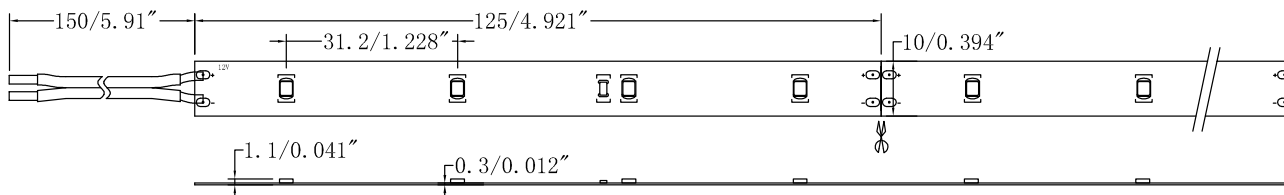
Note: wire of UL version is different.



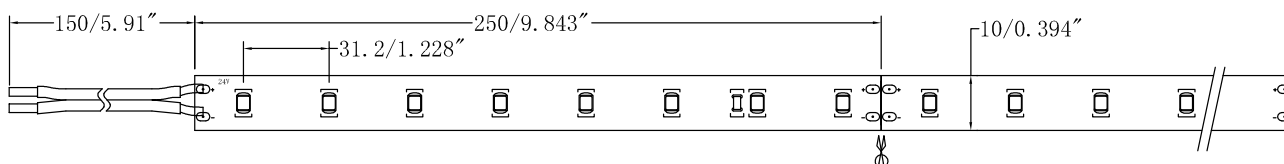
**Dimension:**

Unit:mm/inch

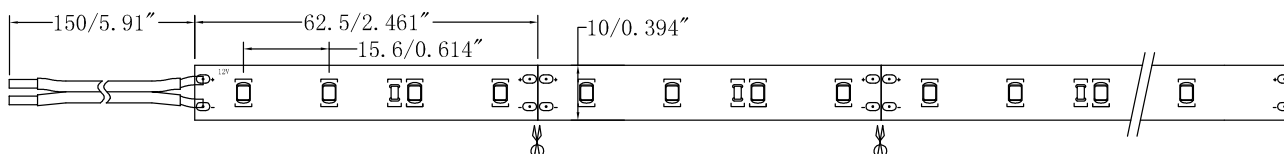
**SC-IG1-PX-12V**



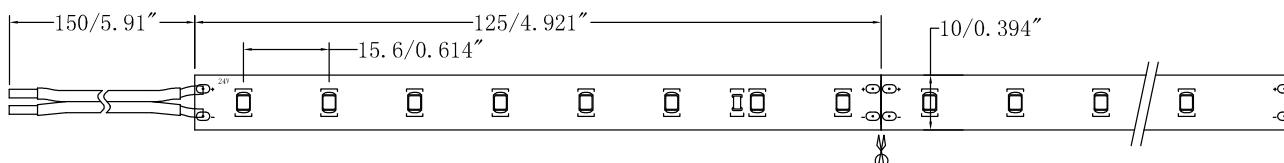
**SC-IG1-PX-24V**



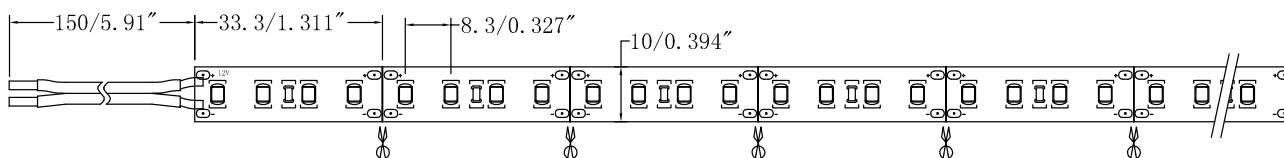
**SC-IG2-PX-12V**



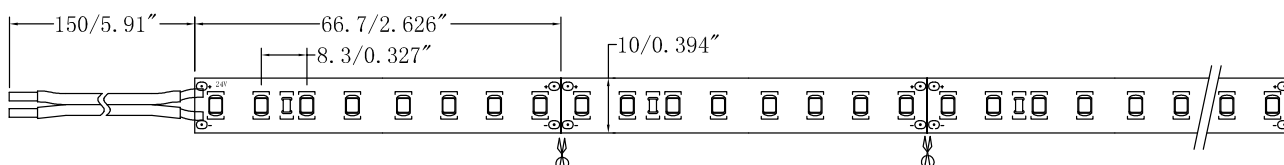
**SC-IG2-PX-24V**



**SC-IG3-PX-12V**

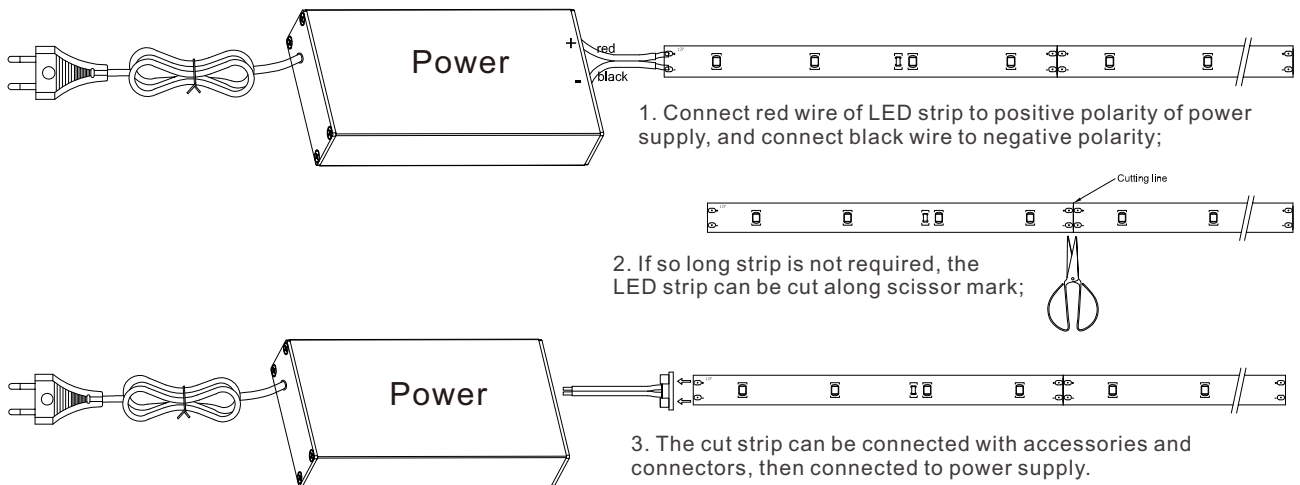


**SC-IG3-PX-24V**

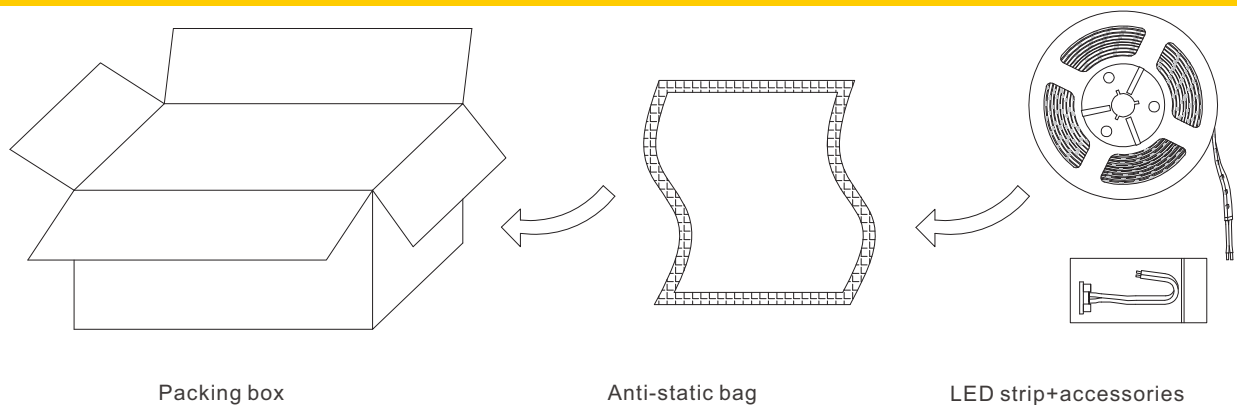




## Connection diagram :



## Packing instruction:



## Installation requirement:

1. The LED strip and accessories can't be squeezed or folded;
2. PCB conductive parts can't be damaged when installation;
3. Installation must conform to electrical safety standard. The LED strip can only be installed by professionals;
4. Ensure power supply transform operating load with transformer;
5. When install on metal or conductor surface, insulation protection need to be provided to the contact area;
6. Observe positive and negative polarity, ensure correct connection to avoid damaging LED strip;
7. When installation, please prevent static electricity;
8. The product need anti-corrosion environment, such as, avoiding damp, water drop or other adverse elements.