



RL13054 linear lights



Product description:

RL13054 linear light is specially designed for recessed installation for offices, schools, shopping malls, hotels and so on. It has the excellent heat dissipation system and very uniform lighting effect. People can install the lights very easily under the ceiling.

Product feature:

1. The whole light is cold-rolled plates and PC materials with surface painting, allowing reliable and solid structure and good heat dissipation and optical performance.
2. The adoption of U-shaped support and threaded rod embedded installation enables simple installation and dismantling.
3. People can install the lights very easily under the ceiling, no need to go into the ceiling, installation cost saving.
4. Large light emitting area reaches 100MM, the high lumen output can meet the general lighting requirements.
5. Flicker free driver with high PF > 0.95.
6. Dimmable version for optional, 0-10V and DALI.
7. Emergency version is available.

Applicable scope:

Applicable to department stores, large workshops, offices and other sites.

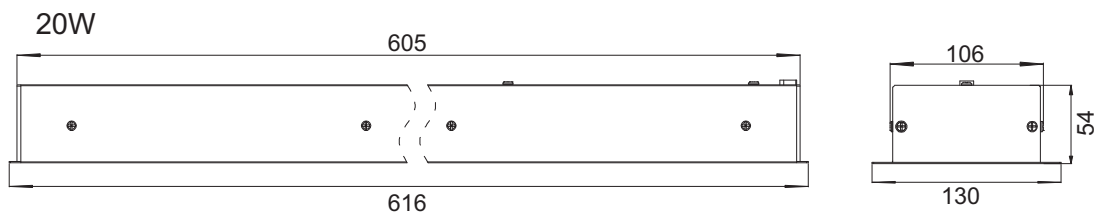


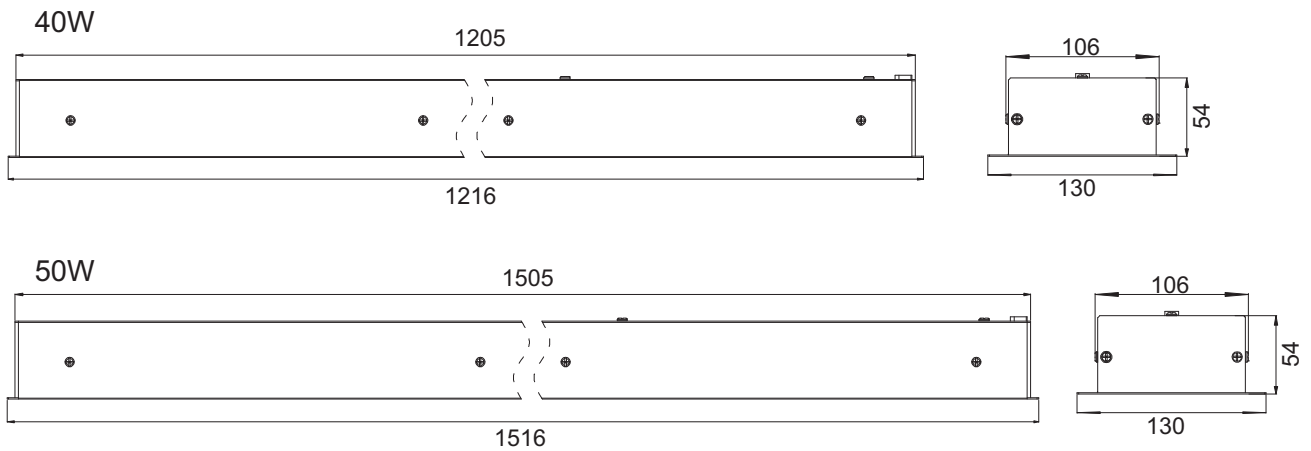


Product parameters:

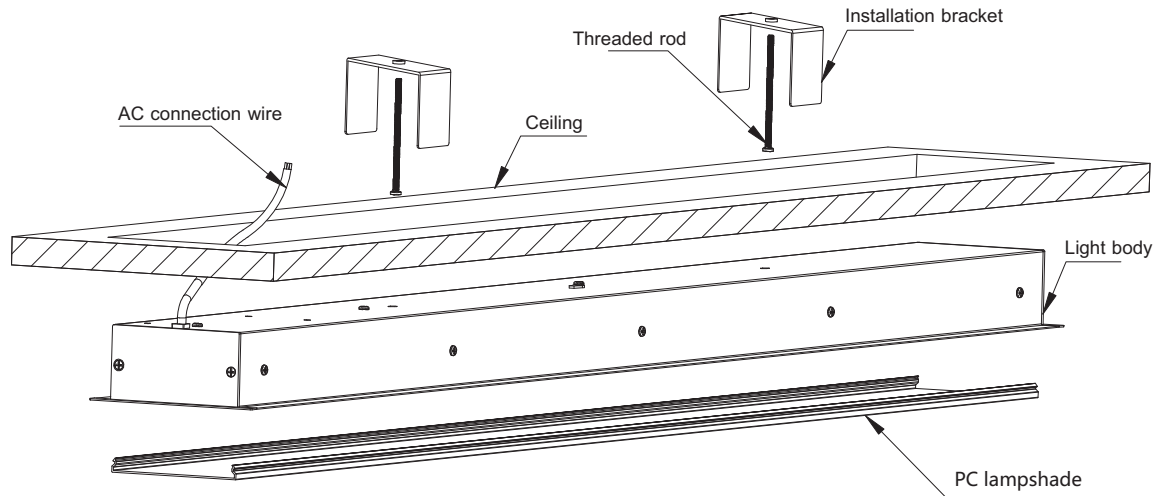
Model	CCT	lumen(lm) (±10%)	Power(W) (±10%)	LED type	LED quantity (PCS)	Length (MM)	Voltage(V)	Dimming Optional	Pre-wired	CRI	PF
SC-RL13054-020-AW-CW	6000-6500k	2000 lm	20	2835	168	616	200-240VAC 50/60HZ	non-dimmable	3 wires, L,N,G	≥80	≥0.90 (220Vac)
SC-RL13054-020-AW-NW	3800-4200k	2000 lm									
SC-RL13054-020-AW-WW	2800-3200k	1800 lm									
SC-RL13054-040-AW-CW	6000-6500k	4000 lm	40	2835	336	1216					
SC-RL13054-040-AW-NW	3800-4200k	40000 lm									
SC-RL13054-040-AW-WW	2800-3200k	3600 lm									
SC-RL13054-050-AW-CW	6000-6500k	5000 lm	50	2835	432	1516					
SC-RL13054-050-AW-NW	3800-4200k	5000 lm									
SC-RL13054-050-AW-WW	2800-3200k	4500 lm									
SC-RL13054-020-AW-A01-CW	6000-6500k	2000 lm	20	2835	168	616	100-277VAC 50/60HZ	0-10V dimming	5 wires, L,N,G, DIM+ , DIM-	≥80	≥0.90 (220Vac)
SC-RL13054-020-AW-A01-NW	3800-4200k	2000 lm									
SC-RL13054-020-AW-A01-WW	2800-3200k	1800 lm									
SC-RL13054-040-AW-A01-CW	6000-6500k	4000 lm	40	2835	336	1216					
SC-RL13054-040-AW-A01-NW	3800-4200k	40000 lm									
SC-RL13054-040-AW-A01-WW	2800-3200k	3600 lm									
SC-RL13054-050-AW-A01-CW	6000-6500k	5000 lm	50	2835	432	1516					
SC-RL13054-050-AW-A01-NW	3800-4200k	5000 lm									
SC-RL13054-050-AW-A01-WW	2800-3200k	4500 lm									
SC-RL13054-020-AW-D01-CW	6000-6500k	2000 lm	20	2835	168	616	220-240VAC 50/60HZ	Dali	5 wires, L,N,G, DA, DA	≥80	≥0.90 (220Vac)
SC-RL13054-020-AW-D01-NW	3800-4200k	2000 lm									
SC-RL13054-020-AW-D01-WW	2800-3200k	1800 lm									
SC-RL13054-040-AW-D01-CW	6000-6500k	4000 lm	40	2835	336	1216					
SC-RL13054-040-AW-D01-NW	3800-4200k	40000 lm									
SC-RL13054-040-AW-D01-WW	2800-3200k	3600 lm									
SC-RL13054-050-AW-D01-CW	6000-6500k	5000 lm	50	2835	432	1516					
SC-RL13054-050-AW-D01-NW	3800-4200k	5000 lm									
SC-RL13054-050-AW-D01-WW	2800-3200k	4500 lm									

Size drawing (Unit: mm)

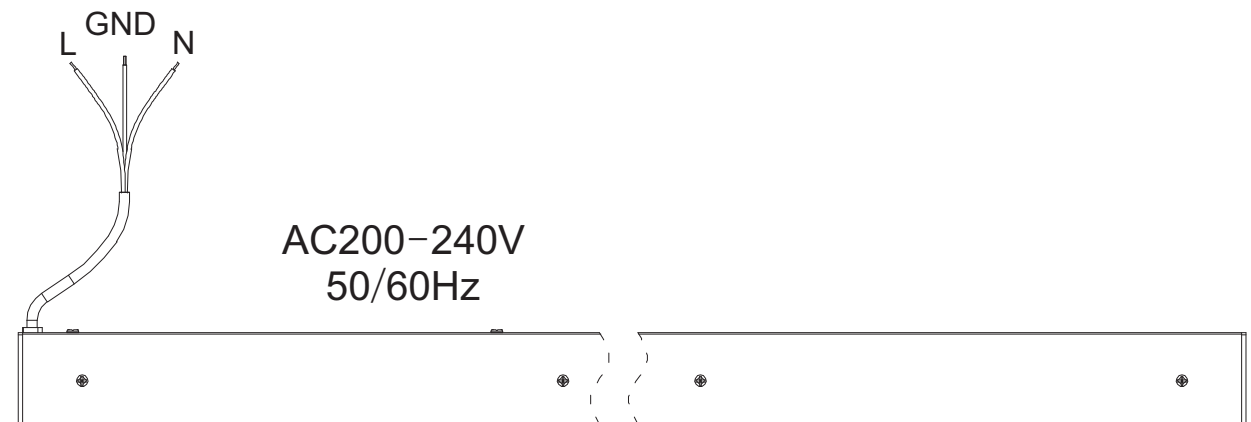




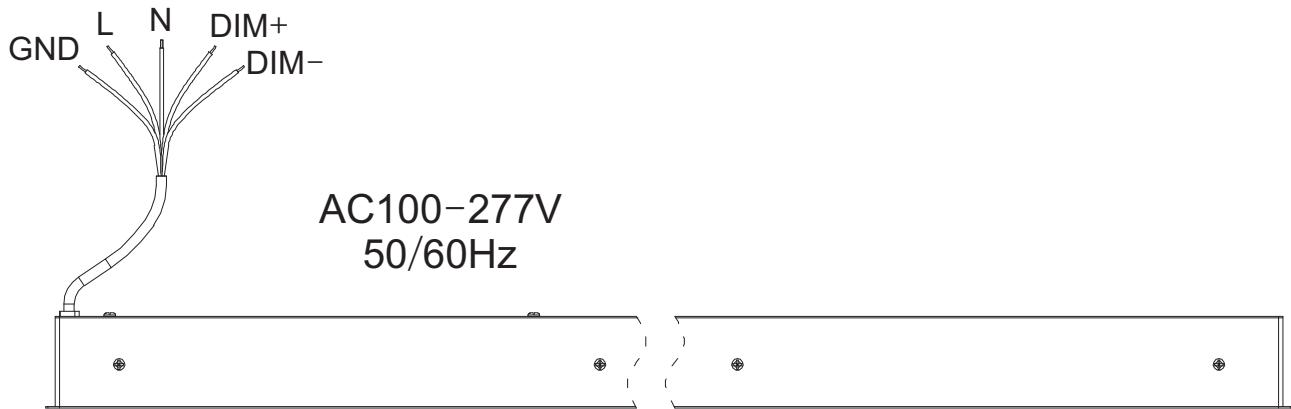
Installation and connection drawing:



AC wiring diagram

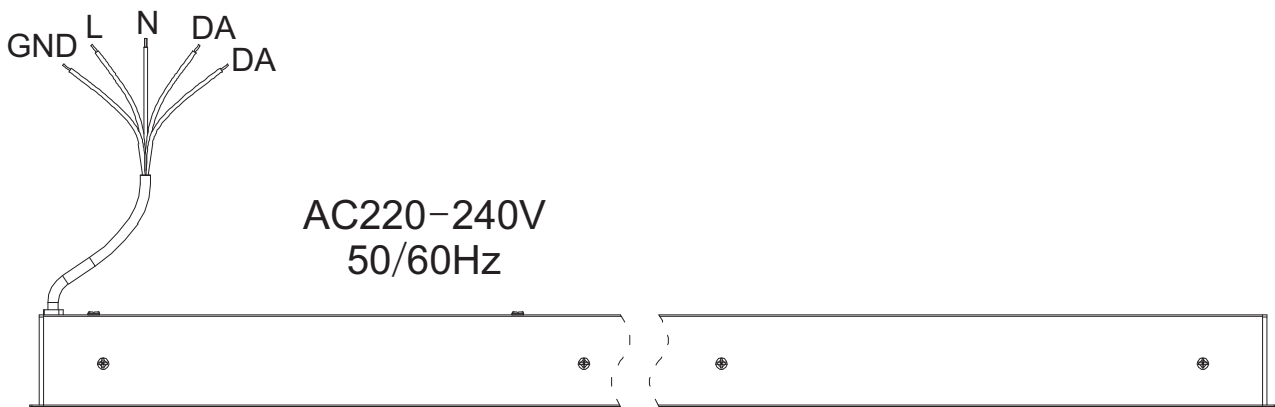


RL13054 AC connection diagram without dimming



RL13054 0-10V AC connection diagram

(Remark: The max current consumption of our driver to 0-10V dimmer is 2mA each one)



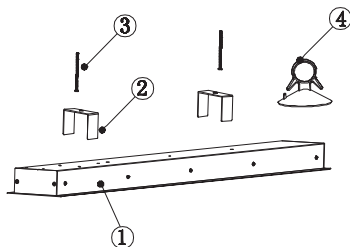
RL13054 DALI AC connection diagram

Installation drawings:

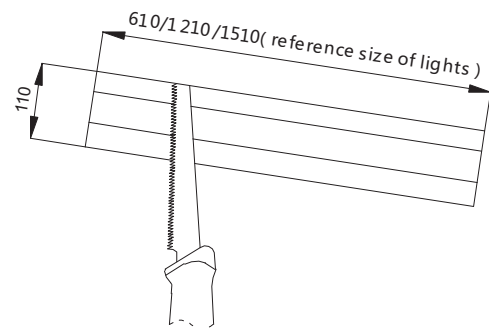
1. Material list of lights

Material list of lights

- | | |
|--|------|
| 1. Light body | 1PCS |
| 2. Support bracket for embedded installation | 2PCS |
| 3. M4*80 screw rod | 2PCS |
| 4. Sucker | 1PCS |



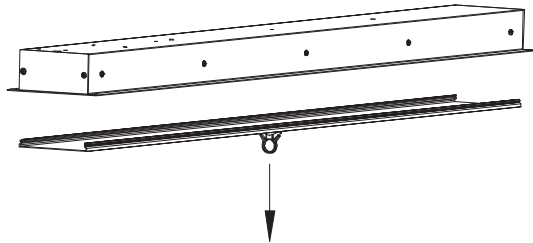
2. Open holes



1. Cut the installation groove in the ceiling according to corresponding size.



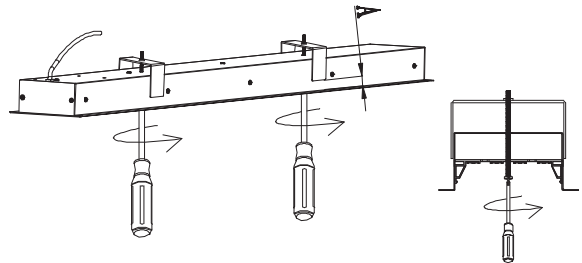
3. Dismantle PC lampshade of the light



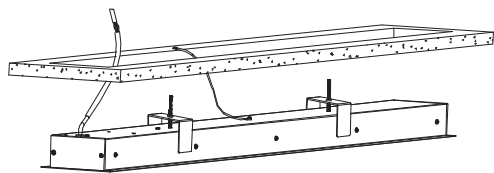
1. Enable the attached suckers to suck on PC lampshade tightly.
2. Pull the suckers downwards with force and dismantle PC lampshade.

4. Install the embedded installation bracket.

1. Insert two M4 threaded rods into two holes on the light body.
 2. Align the threaded rod with the threaded holes on the U-shaped support and rotate the bolts. Install U-shaped support onto the threaded rods.
- * Pay attention that the size at place A needs to be larger than the size of ceiling thickness.
* Pay attention to avoiding contacting with LED because LED is easily damaged.

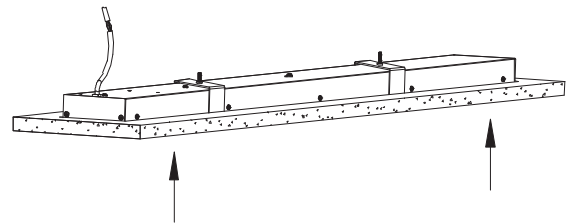


5. Connecting AC wires



1. Use self-taping screws to fix the safety rope on the ceiling.
2. Connect the AC wire and external AC wire on the light body.

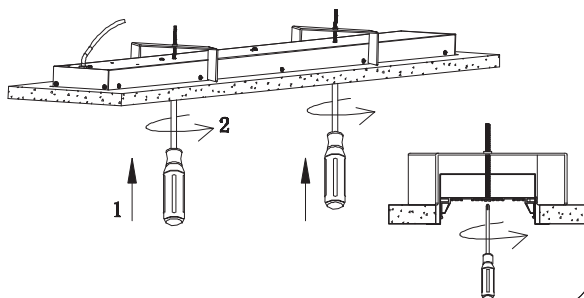
6. Install the light body into the safety holes.



1. Align the groove opened on the ceiling and install the light body into the groove upwards.

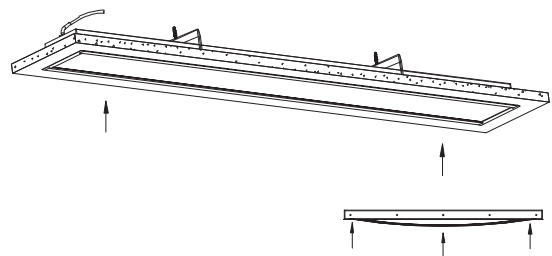
7. Lock the installation bracket tightly.

1. Push the threaded rod upwards to make the thread head cling with the profile of light body.
 2. Use the screwdriver to rotate the threaded rods to rotate the U-shaped support. Continue to rotate the threaded rod until the light body edge cling to the ceiling.
- * Pay attention to avoiding contacting with LED because LED is easily damaged.



8. Install PC lampshade

1. Insert two ends of the PC lampshade into two ends of the light body;
2. Press PC lampshade. Then press separately after PC lampshade clings with the profile. For two sides of the PC lampshade, make whole PC lampshade into the clamping groove of the light body.



Installation requirement (installation according to the drawing)

1. Cut off the power supply first before installation.
2. Ensure that the installed object can bear the light weight. Open the groove on the ceiling according to corresponding size. Then install the light into the clamping groove on the ceiling.
3. Then connect wire attached to the light onto the corresponding power cord and carry out insulation sealing at the joint.



Package information

Power	Inner box	Internal box size	Outer case size	Weight of inner box	Weight of outer case	Outer case
20W	1PCS	653*158*85mm	673*178*450mm	2kg/box	11kg/case	5boxes
40W	1PCS	1253*158*85mm	1273*178*450mm	3.8kg/box	20.5kg/case	5 boxes
50W	1PCS	1553*158*85mm	1573*178*450mm	4.5kg/box	24.5kg/case	5 boxes

! Notice

1. Please read the product specification carefully first to confirm that the use environment is in line with the condition on the specification before it is used.
2. Please confirm the input voltage and frequency before use.
3. The light must be installed by professional personnel.
4. If the power cord and case of the products are damaged, it will be regarded as disqualified product and should not be used.
5. Dangerous high voltage. Non professional personnel should not repair.
6. If external soft cable or wire of the product is damaged, the wire should be replaced by manufacturer or service agent or personnel with similar qualification to avoid danger.