

©2023
Signcomplex Limited
All rights reserved



light and smart

INDUSTRIAL LIGHTING

2023 V1

Signcomplex Limited


4th Floor, Mingfeng Building, No.2 Xikeng Road,
Fucheng Street, Shenzhen, China


+86 755 2809 3844
+86 755 8179 2381
info@signcomplex.com
www.signcomplex.com


About Signcomplex





 Founded in 2006


 Factory area 50,000m²

 560+ employees


 Main products
Industrial lighting
Commercial lighting
Strip lighting
Plant grow lighting


 Certified systems
ISO9001:2015 quality system
ISO14001 environmental system

 Product certification
CE/RoHS/ERP/UL/
DLC/CB, etc.

 Market share
Europe 40%/ North America 37%/
China 8%/ other 15%

 National high-tech enterprise

 200+ patents

 Customized service

Business advantage



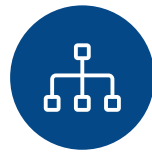
Self-R&D

Our R&D and engineering team with over 100 people has rich experience in shape design, electronic structure, optical design, light control system and process improvement, etc. OEM/ODM services is available.



Self-manufacture

Large factory area, professional production line for industrial lighting products, sufficient production capacity.



Professional supply chain management system

The products have characteristics and high cost performance.



Professional service team

We have professional sales, technical support, quality control and logistics team to provide thoughtful service to our customers.



Corporate culture



Value

Customer and quality first, real-time service, teamwork and continuous innovation.



Business philosophy

Pragmatic, efficient, trustworthy and value-added.



Vision

Global famous brand of intelligent lighting and century enterprise.



Mission

Continuously improve products and services to meet customer needs
Continuously innovate technology to create an intelligent and excellent light environment.



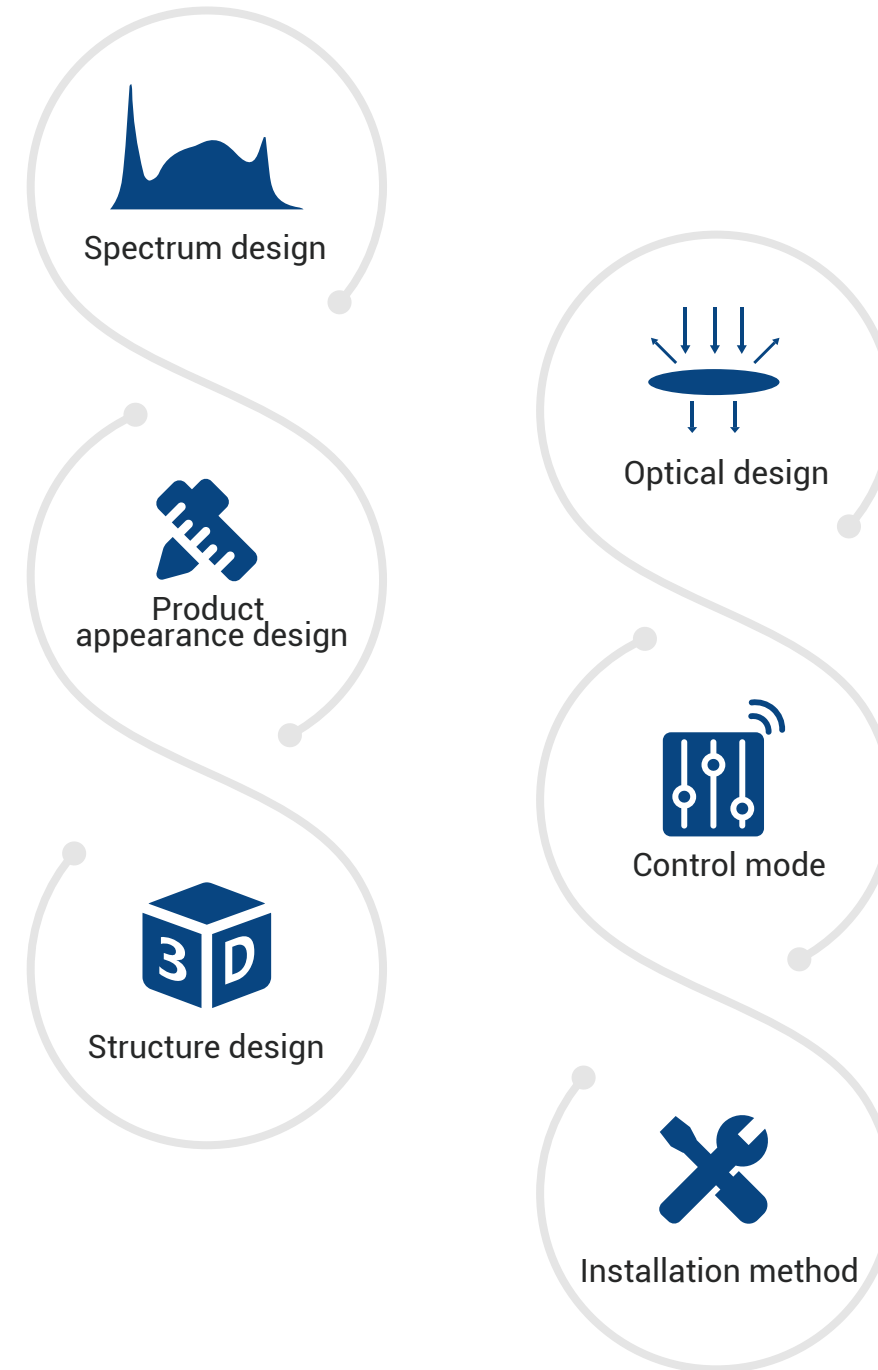
Strict Quality Control

We establish standards and specifications for laboratory reliability testing, improve product testing standards, and improve product quality. Our products have passed the following tests:

- Dust-proof test
- IP rating test
- Wind-shield
- Line leakage test
- Anti-UV test
- Salt Spray test
- High Voltage test
- Suspension test
- Lifespan test
- Power on and off test
- Dimension check
- Wire rod check
- Electronic load test
- Oscilloscope
- Oven
- Safety test
- Drop test
- Aging test
- Optical test
- Cold thermal shock test
- Transport simulation test
- Constant temperature & humidity test



Customized Service

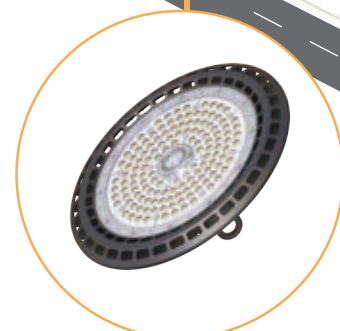
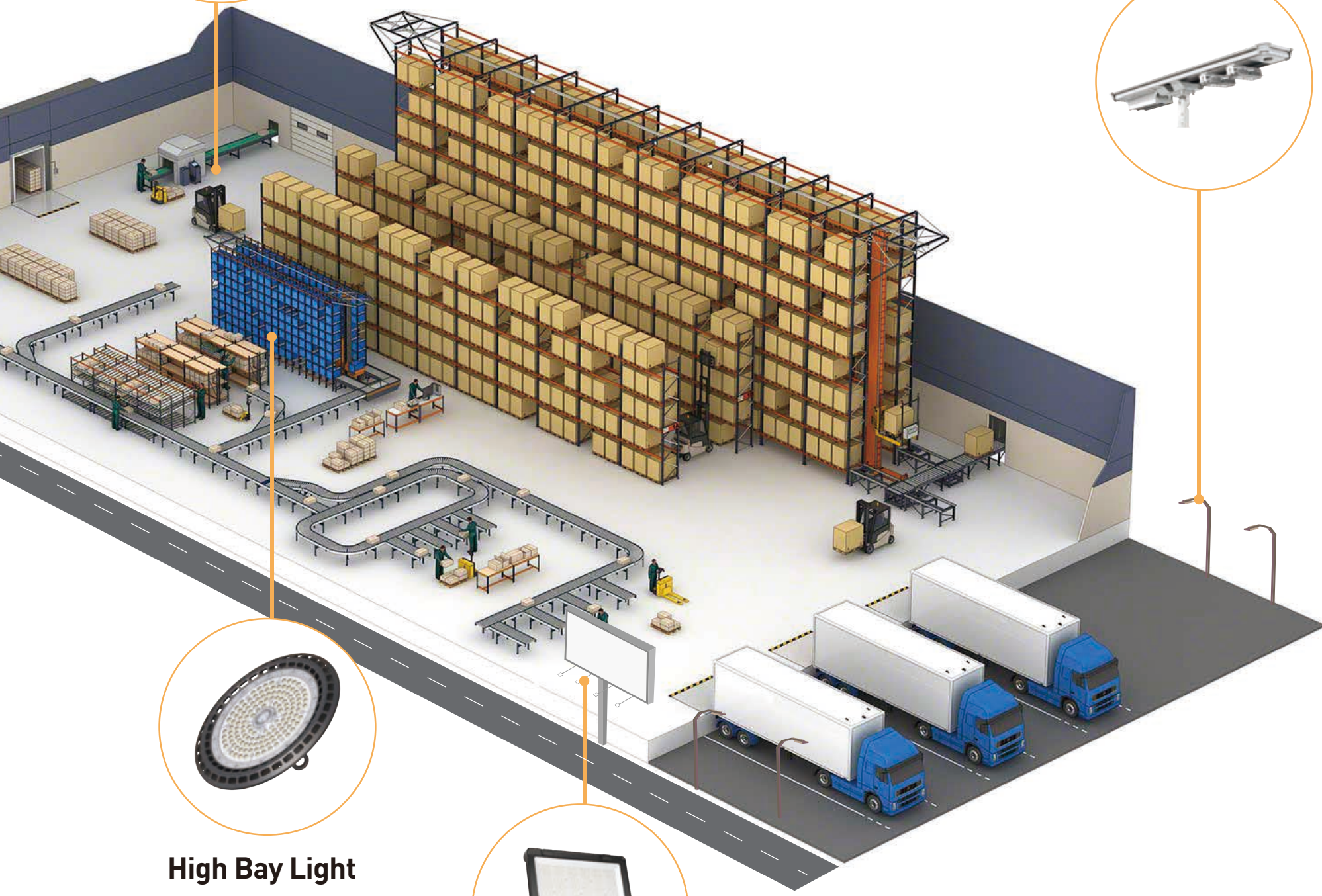




Tri-proof light



Street light



High Bay Light



Flood Light

Industrial Lighting

Signcomplex offers various LED luminaires for any industrial or hazardous application, like LED tri-proof light, high-bay, LED flood light, street light. We optimize the benefits of LED technology to offer the innovative and reliable LED luminaires on the market.

Signcomplex's industrial lighting provide higher lumens as compared with traditional lighting. Adopt well-known LEDs source, CREE, BRIDGELUX, SEOUL SAMSUNG, light efficiency up to 200LPW, average consume 50% less energy than HID, 40% less energy than MH luminares.

Our industry lamps adopt professional surface treatment, spraying powder, anodized oxidation, hard anodizing, so our products can be used indoor and various harsh outdoor environment. As LED lighting leader, we produce all kinds of waterproof lamps, including IP68, IP67, IP66, IP65, to meet commercial and industry lighting. Signcomplex's industrial lighting is specifically engineered to remove heat from the LED and driver to ensure longer lifetime, better lumen output.

Application: widely used in factory, farm, airport, warehouse, supermarket, parking lot, station and other places.

CONTENTS

Tri-proof light



TPS Series
/ 93-98 /



TPB Series
/ 99-104 /



TPF Series
/ 105-110 /



TPA Series
/ 111-116 /



KII Series
/ 117-122 /



C Series
/ 123-128 /



I Series
/ 129-134 /

Flood light & Sport Light



Venus Series
/ 137-142 /



Landy series
/ 143-148 /



Area light series
/ 149-154 /



Acrab series
/ 157-162 /

Street Light



Manta Series
/ 165-170 /

High bay light



Cibay K2 series
/ 03-10 /



Cibay-H Series
/ 11-18 /



Cibay-U Series
/ 19-26 /



Cibay-R Series
/ 27-32 /



Cibay-B Series
/ 33-40 /



Cibay-E Series
/ 41-48 /



Cibay-D Series
/ 49-56 /



Cibay-S Series
/ 57-64 /



Cibay-I Series
/ 65-70 /



Cibay-T1 Series
/ 71-76 /



Cibay-T2 Series
/ 77-82 /



IP65 linear
high bay series
/ 83-90 /



High bay Light

Signcomplex high bay light is commercial and industry leading fixtures; high bay light is ideal choice for replacing traditional light source, and it brings new levels of performance, technical innovation and unique design to outdoor and indoor use.

- CE** Cibay-K2 Series | P03-10
- CE** Cibay-H Series | P11-18
- UL CE** Cibay-U Series | P19-26
- CE** Cibay-R Series | P27-32
- UL CE** Cibay-B Series | P33-40
- CE** Cibay-E Series | P41-48
- CE** Cibay-D Series | P49-56
- UL CE** Cibay-S Series | P57-64
- UL CE** Cibay-I Series | P65-70
- CE** Cibay-T1 Series | P71-76
- CE** Cibay-T2 Series | P77-82
- CE** IP65 Linear High bay Series | P83-90

Cibay-K2 series

100W / 150W / 200W / 240W

- 160-200LPW high efficiency
- Can be used in smelter ($\leq 70^{\circ}\text{C}$)



Industrial style design

Industrial style design, novel appearance, horizontal or vertical power layout.

Low UGR

Glass lens optional. Low UGR particle lens, $90^{\circ} < 22^{\circ}$, $60^{\circ} < 19^{\circ}$.



IK08

UV-resistant PC material optics, IK08 impact resistance grade.

Long lifespan

Long lifespan 75000 hours @ 35°C



High efficiency

High efficiency LED, 160LPW, 180LPW, 200LPW multiple brightness levels are optional.

Ultra high temperature 70°C optional

Vertical power supply model can select 70 °C working ambient temperature.



Plug&play sensor

Built-in control interface, a Microwave, PIR, Daylight or Bluetooth sensor can be installed after screwing off the cap.

CCT adjustable

Two-color LEDs are equally spaced and symmetrically distributed, with uniform color mixing.

Power adjustable

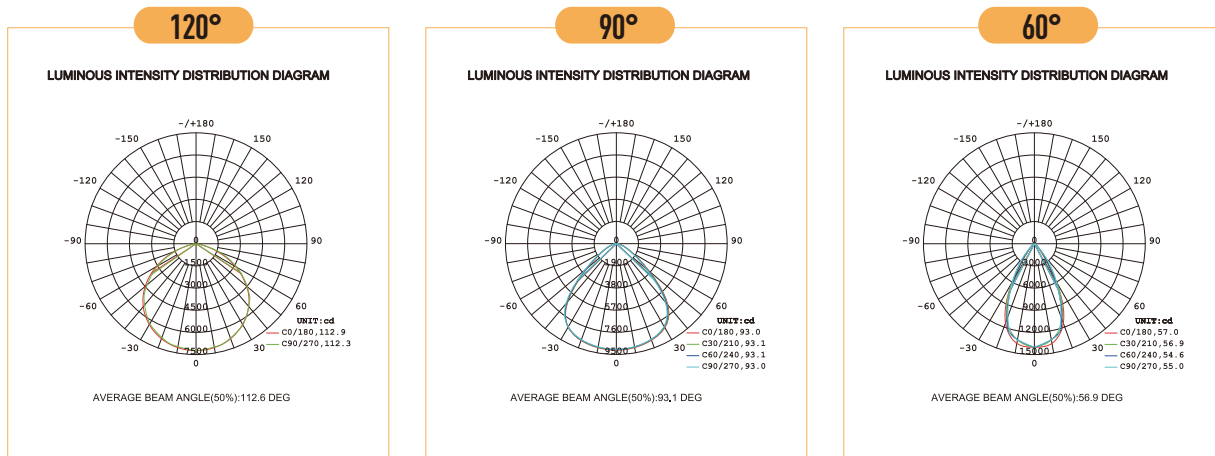
With Dip switch, it is easy to select.

DALI & 0-10V optional

Our DALI module is an accessory which can save SKU.

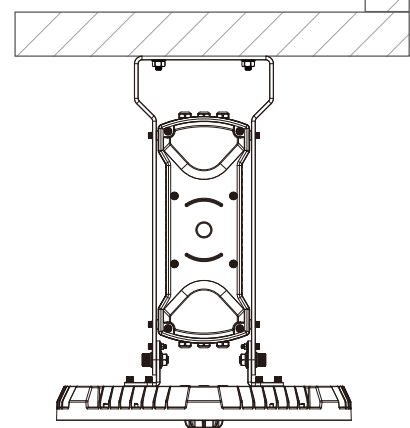
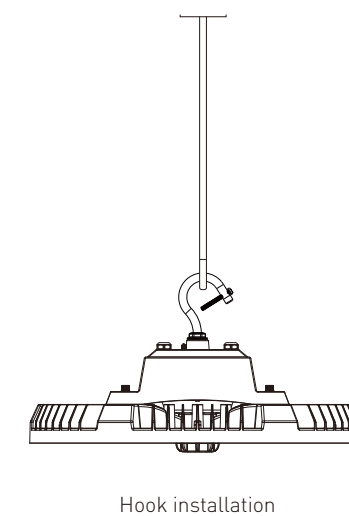
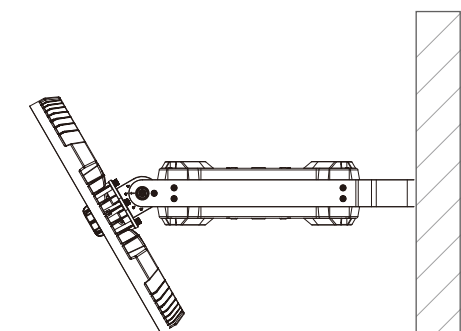
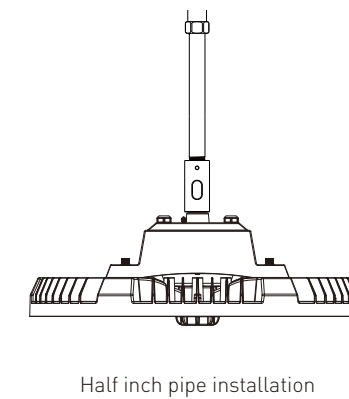
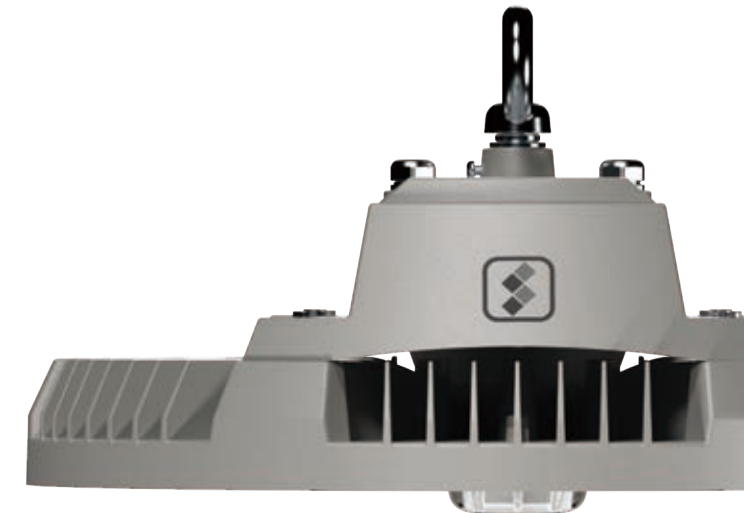
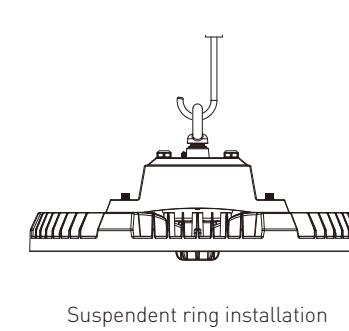
Distribution Diagram

Three types of lens optional, 60°, 90°, 120°. End user can change as they like, convenient and practical.



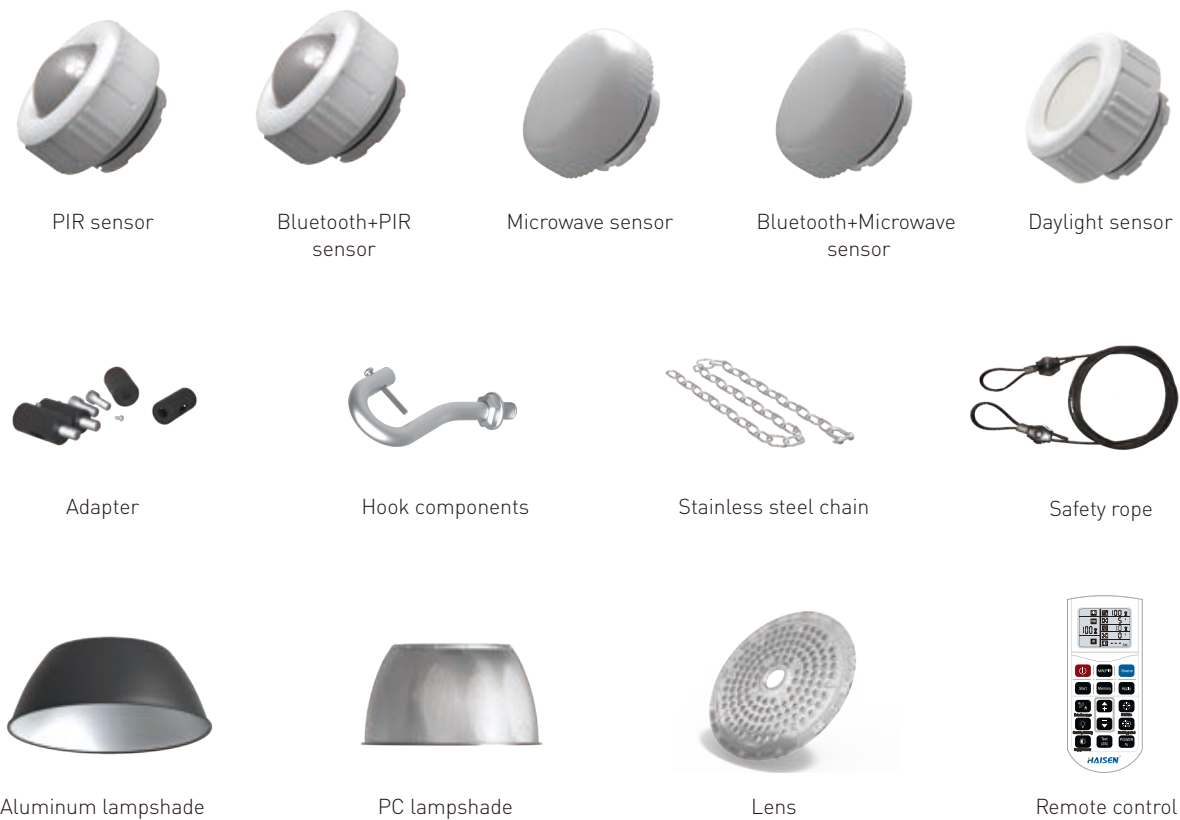
Installation

A variety of installation methods to meet reliable installation in a variety of applications



Accessories

Provide a variety of accessories to meet different uses.



Parameters



AW-160LPW

Product name	CCT	Lumen(lm)	Beam angle(°)	LEDs type	CRI	Power(W)	Voltage
Cibay-K2 100W	5500-6500K	16000	60° / 90° / 120°	SMD2835	Ra>80	100W	100-240VAC 50/60Hz
	4700-5300K	15900					
	3700-4300K	15600					
	2700-3200K	15000					
Cibay-K2 150W	5500-6500K	24000	60° / 90° / 120°	SMD2835	Ra>80	150W	100-240VAC 50/60Hz
	4700-5300K	23850					
	3700-4300K	23400					
	2700-3200K	22500					
Cibay-K2 200W	5500-6500K	32000	60° / 90° / 120°	SMD2835	Ra>80	200W	100-240VAC 50/60Hz
	4700-5300K	31800					
	3700-4300K	31200					
	2700-3200K	30000					
Cibay-K2 240W	5500-6500K	38400	60° / 90° / 120°	SMD2835	Ra>80	240W	100-240VAC 50/60Hz
	4700-5300K	38160					
	3700-4300K	37440					
	2700-3200K	36000					

AW-180LPW

Product name	CCT	Lumen(lm)	Beam angle(°)	LEDs type	CRI	Power(W)	Voltage
Cibay-K2 100W	5500-6500K	17800	60° / 90° / 120°	SMD2835	Ra>80	100W	100-240VAC 50/60Hz
	4700-5300K	17700					
	3700-4300K	17400					
	2700-3200K	16600					
Cibay-K2 150W	5500-6500K	26700	60° / 90° / 120°	SMD2835	Ra>80	150W	100-240VAC 50/60Hz
	4700-5300K	26550					
	3700-4300K	26100					
	2700-3200K	24900					
Cibay-K2 200W	5500-6500K	35600	60° / 90° / 120°	SMD2835	Ra>80	200W	100-240VAC 50/60Hz
	4700-5300K	35400					
	3700-4300K	34800					
	2700-3200K	33200					
Cibay-K2 240W	5500-6500K	42720	60° / 90° / 120°	SMD2835	Ra>80	240W	100-240VAC 50/60Hz
	4700-5300K	42480					
	3700-4300K	41760					
	2700-3200K	39840					

AW-200LPW

Product name	CCT	Lumen(lm)	Beam angle(°)	LEDs type	CRI	Power(W)	Voltage
Cibay-K2 100W	5500-6500K	19500	60° / 90° / 120°	SMD3030	Ra>70	100W	100-240VAC 50/60Hz
	4700-5300K	19400					
	3700-4300K	19100					
	2700-3200K	18200					
Cibay-K2 150W	5500-6500K	29250	60° / 90° / 120°	SMD3030	Ra>70	150W	100-240VAC 50/60Hz
	4700-5300K	29100					
	3700-4300K	28650					
	2700-3200K	27300					
Cibay-K2 200W	5500-6500K	39000	60° / 90° / 120°	SMD3030	Ra>70	200W	100-240VAC 50/60Hz
	4700-5300K	38800					
	3700-4300K	38200					
	2700-3200K	36400					
Cibay-K2 240W	5500-6500K	46800	60° / 90° / 120°	SMD3030	Ra>70	240W	100-240VAC 50/60Hz
	4700-5300K	46560					
	3700-4300K	45840					
	2700-3200K	43680					

Package

Power	Box dimension	Pack Quantity	Net weight	Gross weight
100W	320*320*160mm 12.6*12.6*6.3inch	1 pc 1 pc	2.8 kg 6.17 lb	3.6 kg 7.94 lb
150W	360*360*160mm 14.17*14.17*6.3inch	1 pc 1 pc	3.5 kg 7.72 lb	4.4 kg 9.70 lb
200W	400*400*170mm 15.75*15.75*6.69inch	1 pc 1 pc	4.0 kg 8.82 lb	5.0 kg 11.02 lb
240W	440*440*175mm 17.32*17.32*6.89inch	1 pc 1 pc	4.5 kg 9.92 lb	5.7 kg 12.57 lb

Cibay-H series

100W / 150W / 200W

- Ultra-thin design
- 140-200LPW high efficiency



Ultra-thin design

Built-in power supply, ultra-thin design, reducing 50% freight.

1.63inch
41mm



Bionic heat dissipation

Inspired by bionics, the fin design of the die-cast aluminum alloy has an increased area for air contact, providing better heat dissipation.

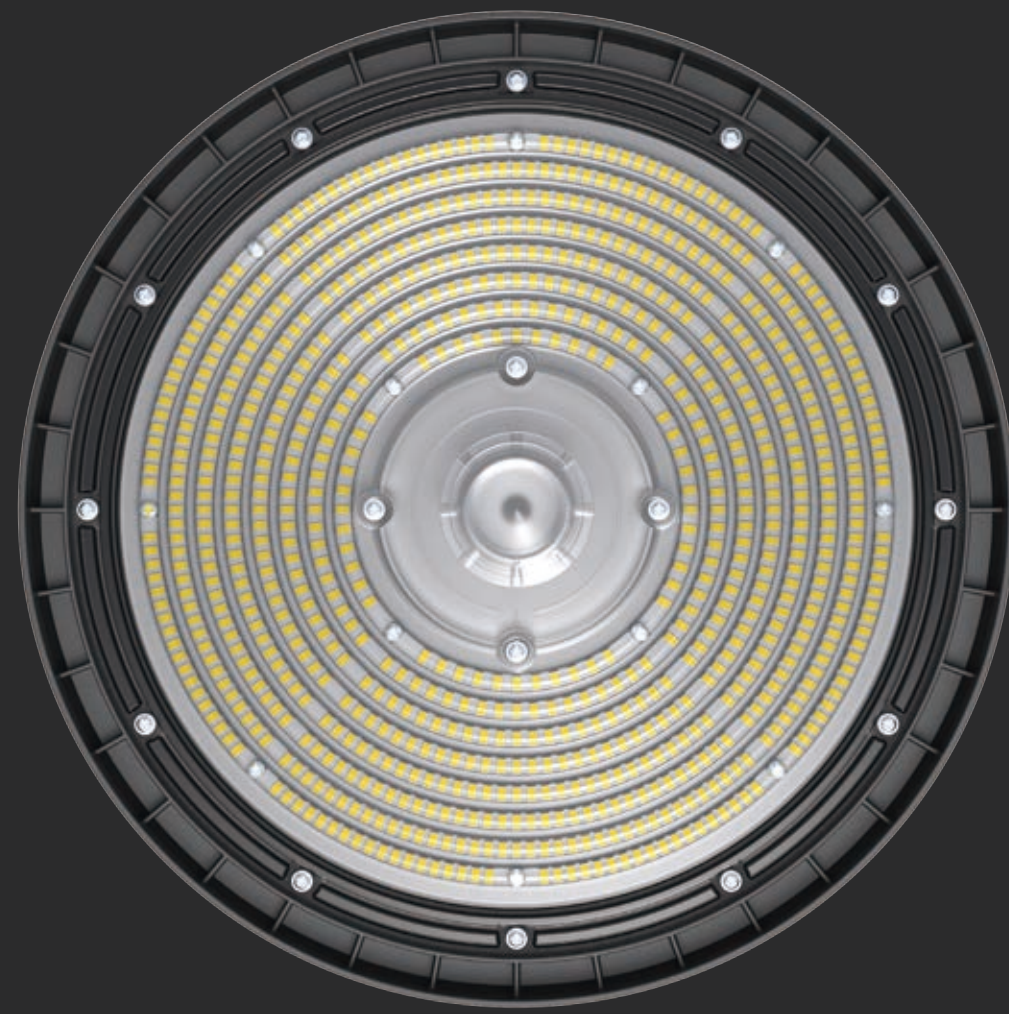


Multifunctional plug-and-play Interface

Built-in control interface, a microwave or infrared sensor can be installed after screwing off the cap.

High efficiency

140LPW, 160LPW, 180LPW, 200LPW optional.



Power adjustable

With Dip switch, it is easy to select.

CCT adjustable

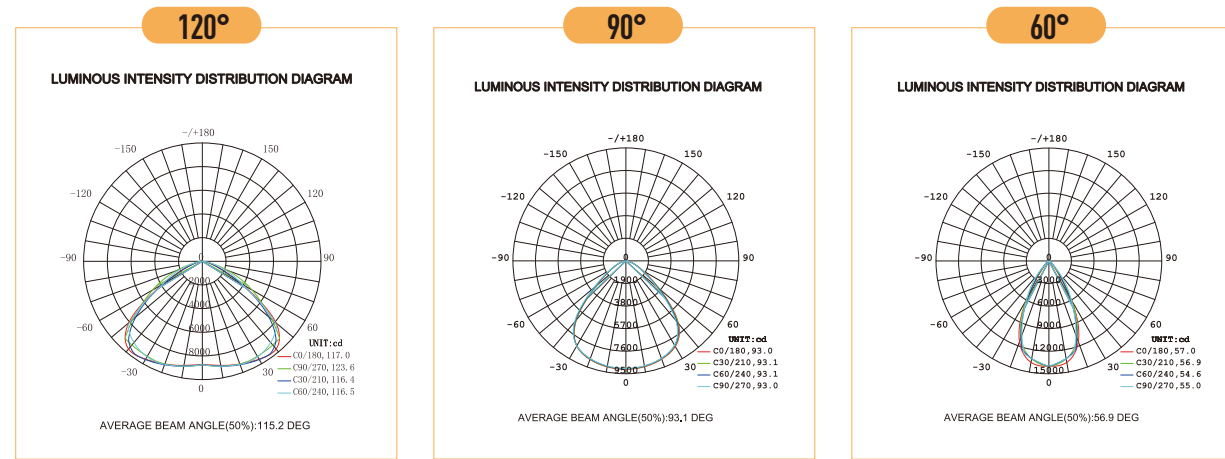
Two-color LEDs are equally spaced and symmetrically distributed, with uniform color mixing.

DALI & 0-10V optional

Our DALI module is an accessory which can save SKU.

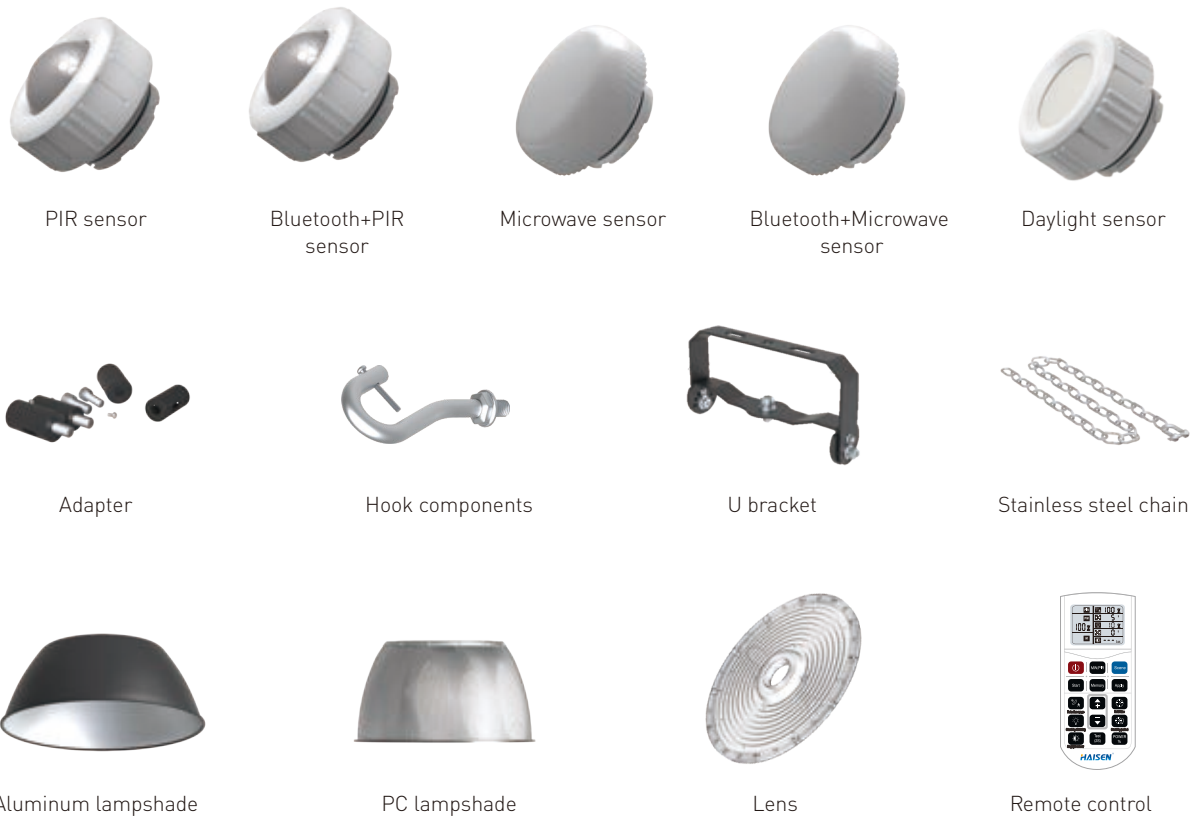
Distribution Diagram

Three types of lens optional, 60°, 90°, 120°. End user can change as they like, convenient and practical.



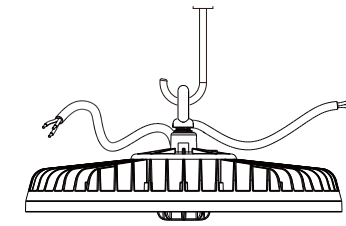
Accessories

Provide a variety of accessories to meet different uses.

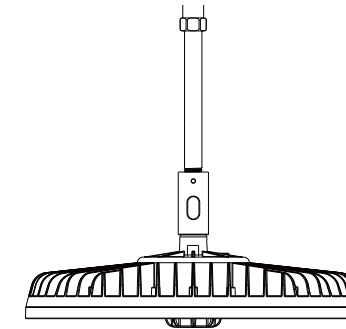


Installation

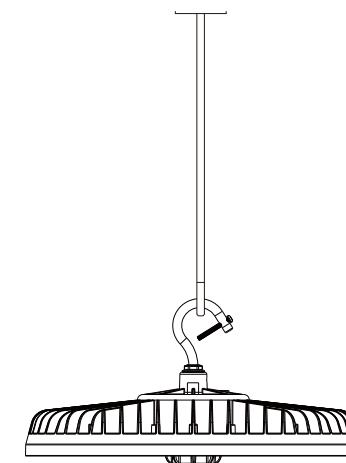
A variety of installation methods to meet reliable installation in a variety of applications



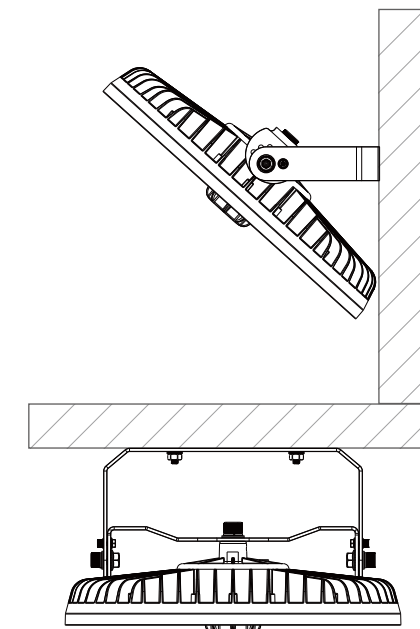
Suspendent ring installation



Half inch pipe installation



Hook installation



U-bracket ceiling or wall installation

Parameters



AH-140LPW

Product name	CCT	Lumen(lm)	Beam angle(°)	LEDs type	CRI	Power(W)	Voltage
Cibay-H 100W	5500-6500K	14000	60° / 90° / 120°	SMD2835	Ra>80	100W	220-240VAC 50/60Hz
	4700-5300K	13900					
	3700-4300K	13600					
	2700-3200K	13000					
Cibay-H 150W	5500-6500K	21000	60° / 90° / 120°	SMD2835	Ra>80	150W	220-240VAC 50/60Hz
	4700-5300K	20850					
	3700-4300K	20400					
	2700-3200K	19500					
Cibay-H 200W	5500-6500K	28000	60° / 90° / 120°	SMD2835	Ra>80	200W	220-240VAC 50/60Hz
	4700-5300K	27800					
	3700-4300K	27200					
	2700-3200K	26000					

AH-160LPW

Product name	CCT	Lumen(lm)	Beam angle(°)	LEDs type	CRI	Power(W)	Voltage
Cibay-H 100W	5500-6500K	16000	60° / 90° / 120°	SMD2835	Ra>80	100W	220-240VAC 50/60Hz
	4700-5300K	15900					
	3700-4300K	15600					
	2700-3200K	15000					
Cibay-H 150W	5500-6500K	24000	60° / 90° / 120°	SMD2835	Ra>80	150W	220-240VAC 50/60Hz
	4700-5300K	23850					
	3700-4300K	23400					
	2700-3200K	22500					
Cibay-H 200W	5500-6500K	32000	60° / 90° / 120°	SMD2835	Ra>80	200W	220-240VAC 50/60Hz
	4700-5300K	31800					
	3700-4300K	31200					
	2700-3200K	30000					

AH-180LPW

Product name	CCT	Lumen(lm)	Beam angle(°)	LEDs type	CRI	Power(W)	Voltage
Cibay-H 100W	5500-6500K	17700	60° / 90° / 120°	SMD2835	Ra>80	100W	220-240VAC 50/60Hz
	4700-5300K	17600					
	3700-4300K	17300					
	2700-3200K	16700					
Cibay-H 150W	5500-6500K	26550	60° / 90° / 120°	SMD2835	Ra>80	150W	220-240VAC 50/60Hz
	4700-5300K	26400					
	3700-4300K	25950					
	2700-3200K	25050					
Cibay-H 200W	5500-6500K	35400	60° / 90° / 120°	SMD2835	Ra>80	200W	220-240VAC 50/60Hz
	4700-5300K	35200					
	3700-4300K	34600					
	2700-3200K	33400					

AH-200LPW

Product name	CCT	Lumen(lm)	Beam angle(°)	LEDs type	CRI	Power(W)	Voltage
Cibay-H 100W	5500-6500K	19500	60° / 90° / 120°	SMD3030	Ra>70	100W	220-240VAC 50/60Hz
	4700-5300K	19400					
	3700-4300K	19100					
	2700-3200K	18500					
Cibay-H 150W	5500-6500K	29250	60° / 90° / 120°	SMD3030	Ra>70	150W	220-240VAC 50/60Hz
	4700-5300K	29100					
	3700-4300K	28650					
	2700-3200K	27750					
Cibay-H 200W	5500-6500K	39000	60° / 90° / 120°	SMD3030	Ra>70	200W	220-240VAC 50/60Hz
	4700-5300K	38800					
	3700-4300K	38200					
	2700-3200K	37000					

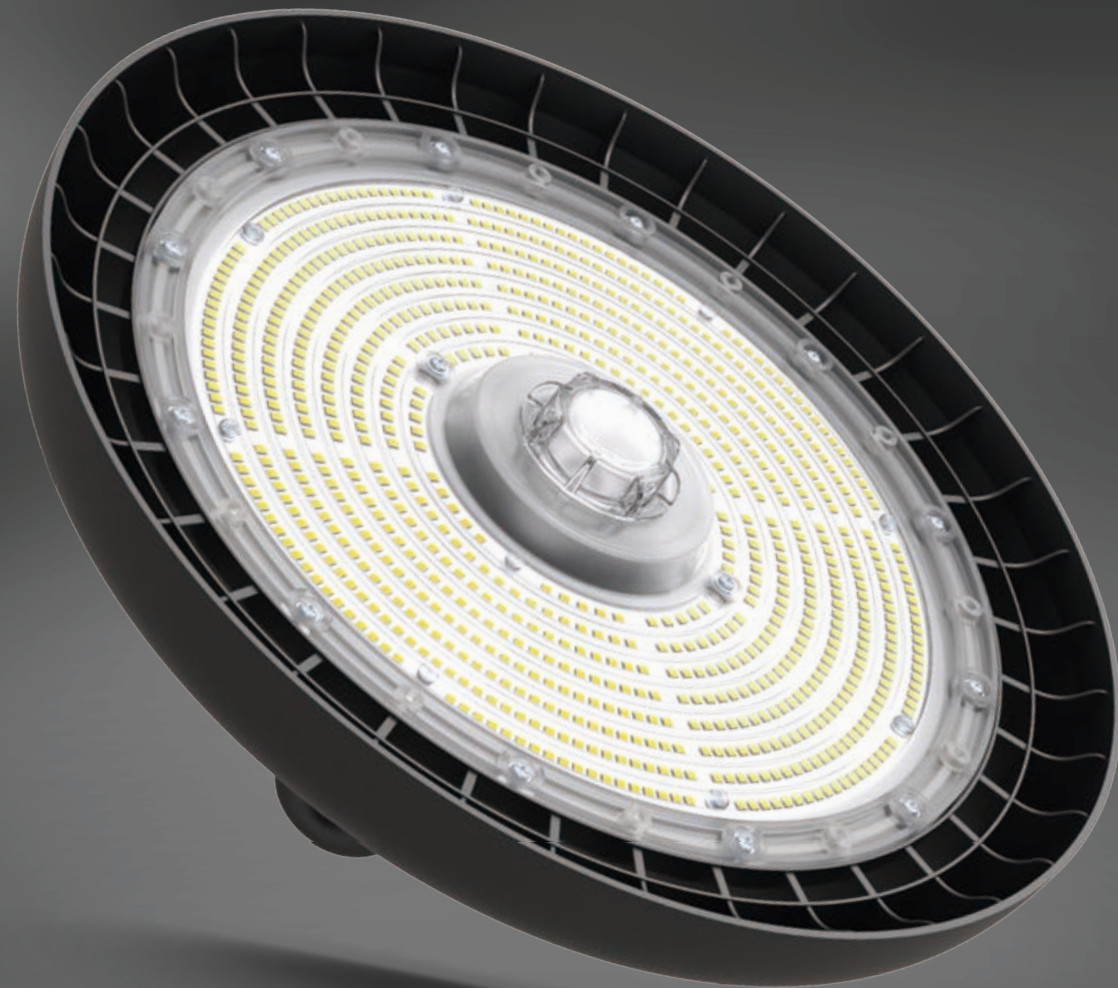
Package

Power	Box dimension	Pack Quantity	Net weight	Gross weight
100W	285*285*135mm	1 pc	1.6 kg	2.2 kg
	11.22*11.22*5.31inch	1 pc	3.53 lb	4.85 lb
150W	325*325*135mm	1 pc	1.8 kg	2.6 kg
	12.80*12.80*5.31inch	1 pc	3.97 lb	5.73 lb
200W	360*360*135mm	1 pc	2.2 kg	3.2 kg
	14.17*14.17*5.31inch	1 pc	4.85 lb	7.05 lb

Cibay-U series

100W / 150W / 200W

- Meet NSF design, can be used in food factory



Meet NSF design

Meet NSF design, can be used in food factory.

High efficiency

High efficiency LED, 140LPW, 160LPW, 180LPW, 200LPW
multiple brightness levels are optional.

Independent emergency interface

The independent emergency interface can be customised to operate separately, so that the emergency power and the sensor can work simultaneously.



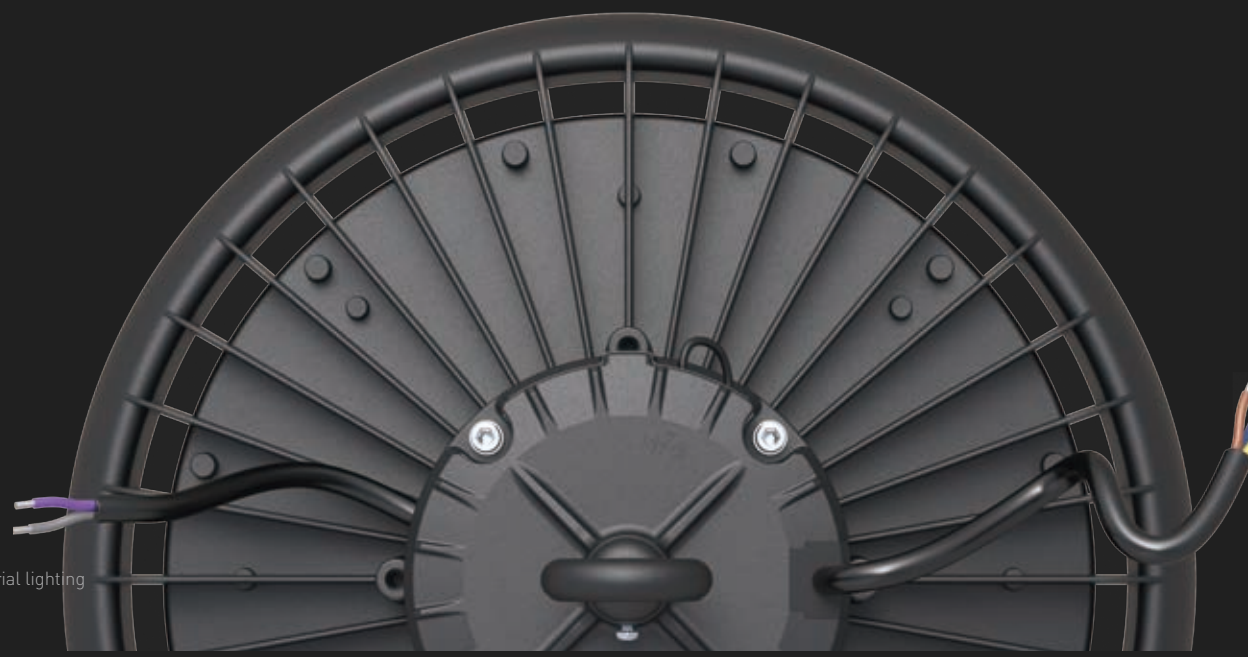


IP65 Water-proof grade

Reliable waterproof design, the product can be waterproof in hot state.

Multifunctional plug-and-play Interface

Built-in control interface, a microwave or infrared sensor can be installed after screwing off the cap.



Power adjustable

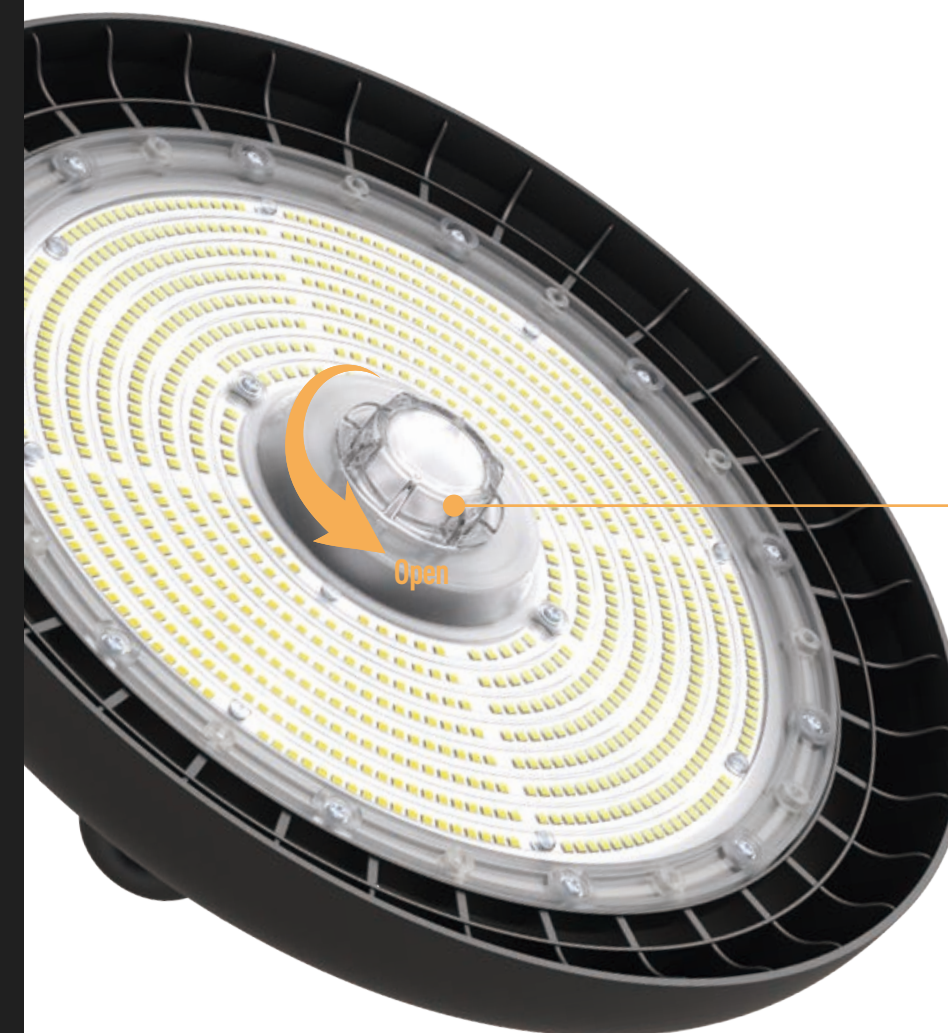
With Dip switch, it is easy to select.

CCT adjustable

Two-color LEDs are equally spaced and symmetrically distributed, with uniform color mixing.

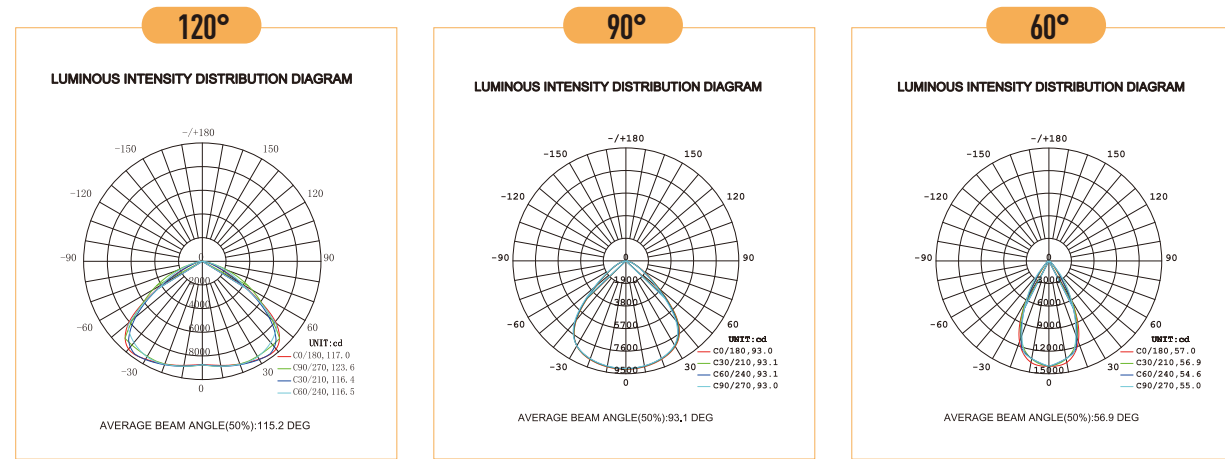
DALI & 0-10V optional

Our DALI module is an accessory which can save SKU.



Distribution Diagram

Three types of lens optional, 60°, 90°, 120°. End user can change as they like, convenient and practical.



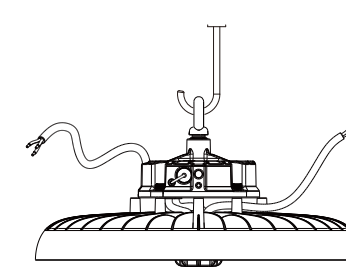
Accessories

Provide a variety of accessories to meet different uses.

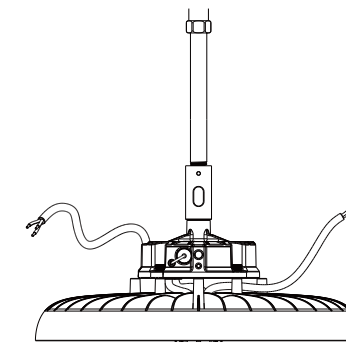


Installation

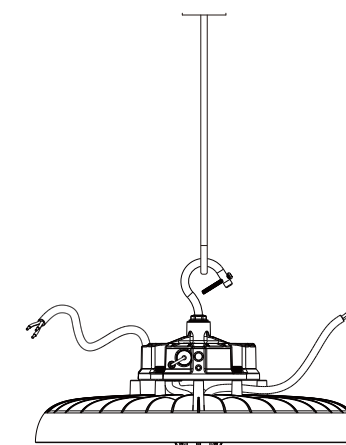
A variety of installation methods to meet reliable installation in a variety of applications



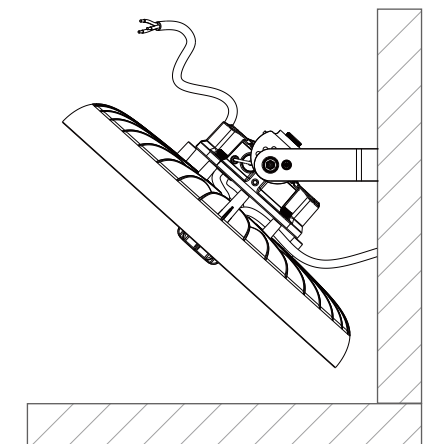
Suspendent ring installation



Half inch pipe installation



Hook installation



U-bracket ceiling or wall installation



Parameters



AW-140LPW

Product name	CCT	Lumen(lm)	Beam angle(°)	LEDs type	CRI	Power(W)	Voltage
Cibay-U 100W	● 5500-6500K	14000	60° / 90° / 120°	SMD2835	Ra>80	100W	100-240VAC 50/60Hz
	● 4700-5300K	13900					
	● 3700-4300K	13600					
	● 2700-3200K	13000					
Cibay-U 150W	● 5500-6500K	21000	60° / 90° / 120°	SMD2835	Ra>80	150W	100-240VAC 50/60Hz
	● 4700-5300K	20850					
	● 3700-4300K	20400					
	● 2700-3200K	19500					
Cibay-U 200W	● 5500-6500K	28000	60° / 90° / 120°	SMD2835	Ra>80	200W	100-240VAC 50/60Hz
	● 4700-5300K	27800					
	● 3700-4300K	27200					
	● 2700-3200K	26000					

AW-160LPW

Product name	CCT	Lumen(lm)	Beam angle(°)	LEDs type	CRI	Power(W)	Voltage
Cibay-U 100W	● 5500-6500K	16000	60° / 90° / 120°	SMD2835	Ra>80	100W	100-240VAC 50/60Hz
	● 4700-5300K	15900					
	● 3700-4300K	15600					
	● 2700-3200K	15000					
Cibay-U 150W	● 5500-6500K	24000	60° / 90° / 120°	SMD2835	Ra>80	150W	100-240VAC 50/60Hz
	● 4700-5300K	23850					
	● 3700-4300K	23400					
	● 2700-3200K	22500					
Cibay-U 200W	● 5500-6500K	32000	60° / 90° / 120°	SMD2835	Ra>80	200W	100-240VAC 50/60Hz
	● 4700-5300K	31800					
	● 3700-4300K	31200					
	● 2700-3200K	30000					

AW-180LPW

Product name	CCT	Lumen(lm)	Beam angle(°)	LEDs type	CRI	Power(W)	Voltage
Cibay-U 100W	● 5500-6500K	17700	60° / 90° / 120°	SMD2835	Ra>80	100W	100-240VAC 50/60Hz
	● 4700-5300K	17600					
	● 3700-4300K	17300					
	● 2700-3200K	16700					
Cibay-U 150W	● 5500-6500K	26550	60° / 90° / 120°	SMD2835	Ra>80	150W	100-240VAC 50/60Hz
	● 4700-5300K	26400					
	● 3700-4300K	25950					
	● 2700-3200K	25050					
Cibay-U 200W	● 5500-6500K	35400	60° / 90° / 120°	SMD2835	Ra>80	200W	100-240VAC 50/60Hz
	● 4700-5300K	35200					
	● 3700-4300K	34600					
	● 2700-3200K	33400					

AW-200LPW

Product name	CCT	Lumen(lm)	Beam angle(°)	LEDs type	CRI	Power(W)	Voltage
Cibay-U 100W	● 5500-6500K	19500	60° / 90° / 120°	SMD3030	Ra>70	100W	100-240VAC 50/60Hz
	● 4700-5300K	19400					
	● 3700-4300K	19100					
	● 2700-3200K	18500					
Cibay-U 150W	● 5500-6500K	29250	60° / 90° / 120°	SMD3030	Ra>70	150W	100-240VAC 50/60Hz
	● 4700-5300K	29100					
	● 3700-4300K	28650					
	● 2700-3200K	27750					
Cibay-U 200W	● 5500-6500K	39000	60° / 90° / 120°	SMD3030	Ra>70	200W	100-240VAC 50/60Hz
	● 4700-5300K	38800					
	● 3700-4300K	38200					
	● 2700-3200K	37000					

Package

Power	Box dimension	Pack Quantity	Net weight	Gross weight
100W	310*310*180mm	1 pc	2.0 kg	2.8 kg
	12.20*12.20*7.09inch	1 pc	4.41 lb	6.17 lb
150W	345*345*180mm	1 pc	2.4 kg	3.4 kg
	13.58*13.58*7.09inch	1 pc	5.29 lb	7.50 lb
200W	385*385*180mm	1 pc	3.0 kg	4.2 kg
	15.16*15.16*7.09inch	1 pc	6.61 lb	9.26 lb

Cibay-R series

100W / 150W / 200W

- Graphene material, more lighter and corrosion resistance



Graphene material

This products use graphene material, which has more corrosion resistance and lighter than aluminum material.

High efficiency

High efficiency LED, 140LPW, 160LPW multiple brightness levels are optional.

Excellent thermal conductivity

Adopts graphene material and wide opening design of the heat dissipation channel, better thermal conductivity.





IK08, anti-UV

UV-resistant PC material optics, IK08 impact resistance grade.



IP65 Water-proof grade

Suitable for damp environment, slight corrosion-proof grade indoors.



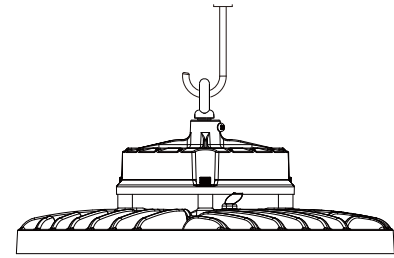
Optional Functions

Power adjustable, with Dip switch, it is easy to select.

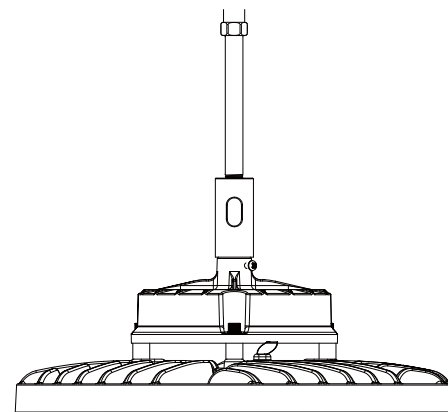


Installation

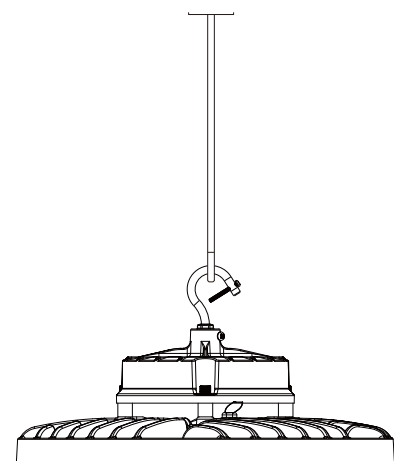
A variety of installation methods to meet reliable installation in a variety of applications



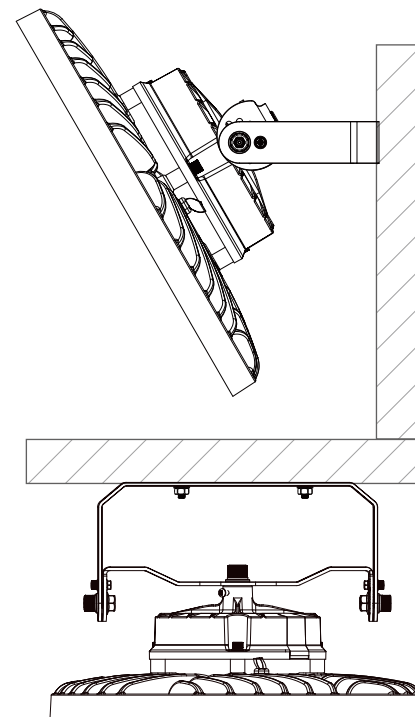
Suspender ring installation



Half inch pipe installation



Hook installation



U-bracket ceiling installation

Parameters



Ordinary series

Product name	CCT	Lumen(lm)	Beam angle(°)	LEDs type	CRI	PF	Power(W)	Voltage
Cibay-R 100W	● 5500-6500K	14000	60° / 90° / 120°	SMD2835	Ra>80	>0.9	100W	100-240VAC 50/60Hz
	● 4700-5300K	13800						
	● 3700-4700K	13900						
	● 2700-3200K	13000						
Cibay-R 150W	● 5500-6500K	21000	60° / 90° / 120°	SMD2835	Ra>80	>0.9	150W	100-240VAC 50/60Hz
	● 4700-5300K	20850						
	● 3700-4700K	20400						
	● 2700-3200K	19500						
Cibay-R 200W	● 5500-6500K	28000	60° / 90° / 120°	SMD2835	Ra>80	>0.9	200W	100-240VAC 50/60Hz
	● 4700-5300K	27800						
	● 3700-4700K	27200						
	● 2700-3200K	26000						

Highbright series

Product name	CCT	Lumen(lm)	Beam angle(°)	LEDs type	CRI	PF	Power(W)	Voltage
Cibay-R 100W	● 5500-6500K	16000	60° / 90° / 120°	SMD2835	Ra>80	>0.9	100W	100-240VAC 50/60Hz
	● 4700-5300K	15900						
	● 3700-4700K	15600						
	● 2700-3200K	15000						
Cibay-R 150W	● 5500-6500K	24000	60° / 90° / 120°	SMD2835	Ra>80	>0.9	150W	100-240VAC 50/60Hz
	● 4700-5300K	23850						
	● 3700-4700K	23400						
	● 2700-3200K	22500						
Cibay-R 200W	● 5500-6500K	32000	60° / 90° / 120°	SMD2835	Ra>80	>0.9	200W	100-240VAC 50/60Hz
	● 4700-5300K	31800						
	● 3700-4700K	31200						
	● 2700-3200K	30000						

Package

Power	Box dimension	Pack Quantity	Net weight	Gross weight
100W	325*325*170mm	1 pc	2.00 kg	3.00 kg
	12.80*12.80*6.69inch	1 pc	4.41 lb	6.61 lb
120W	355*355*170mm	1 pc	2.65 kg	3.75 kg
	13.98*13.98*6.69inch	1 pc	5.84 lb	8.27 lb
150W	400*400*180mm	1 pc	3.35 kg	4.50 kg
	15.75*15.75*3.15inch	1 pc	7.39 lb	9.92 lb

Cibay-B series

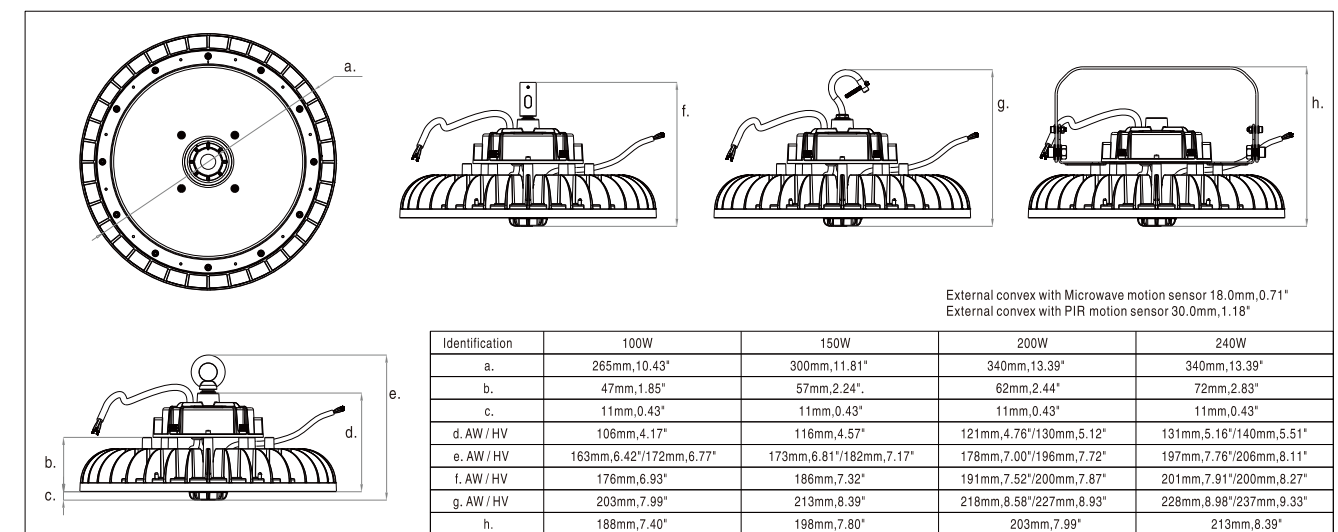
100W / 150W / 200W / 240W

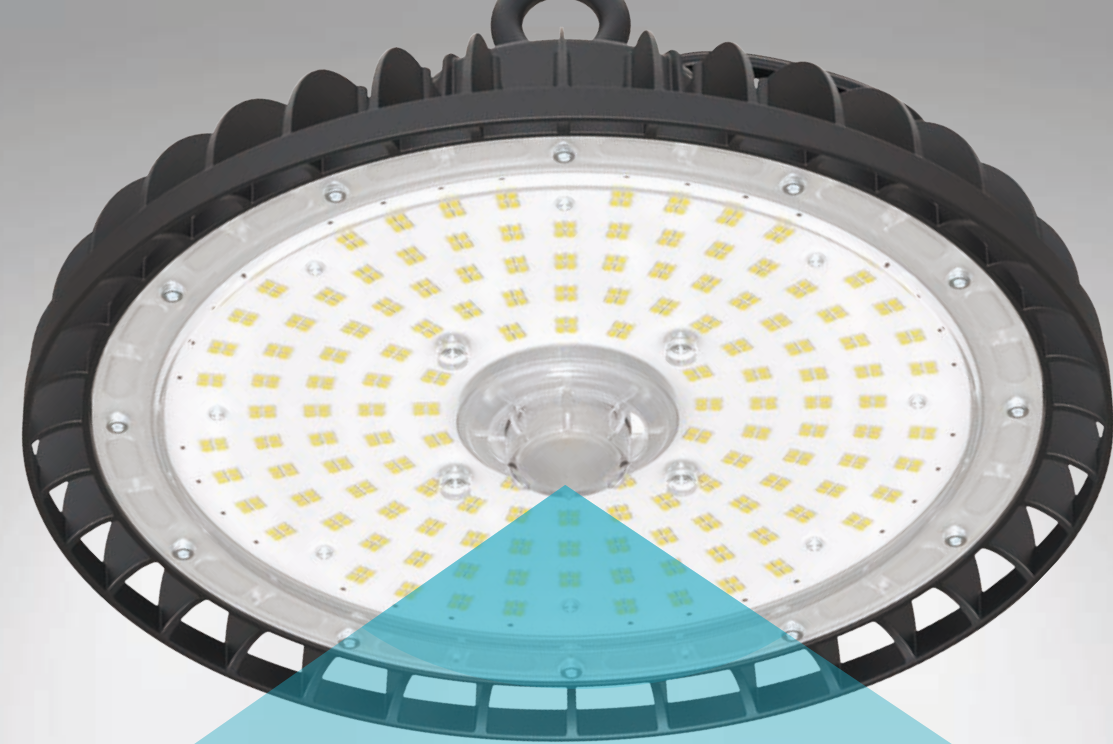
- Plug and play sensor
- 140-200LPW high efficiency



Multifunctional plug and play Interface

Built-in control interface, a microwave, bluetooth sensor or infrared sensor can be installed after screwing off the cap.





Tunable angle

Support three-speed adjustment of 65, 90, 105 degrees, it can freely switch according to needs.

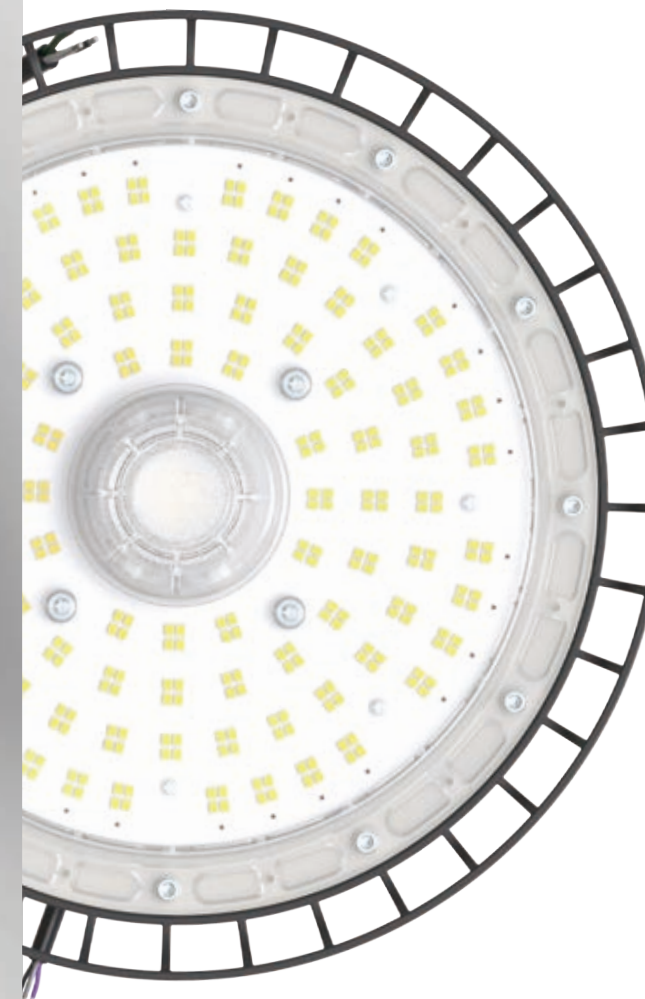
Adjustable color temperature

There are three adjustable levels of color temperature, with uniform color mixing.



Motion-sensing

The sensor can detect brightness of ambient light and moving objects, with insufficient ambient light, the sensor switch on the lamp when motion is detected.



200LPW highest light efficiency

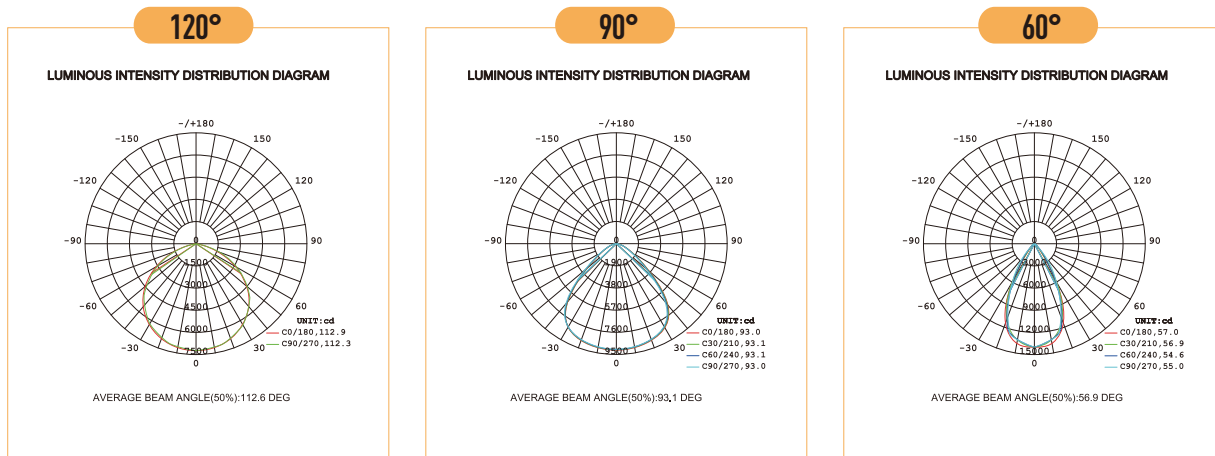
High efficiency LED, 140LPW,160LPW,200LPW multiple brightness levels optional.

PC lens optical

Optical device with PC lens, IK08, anti UV.

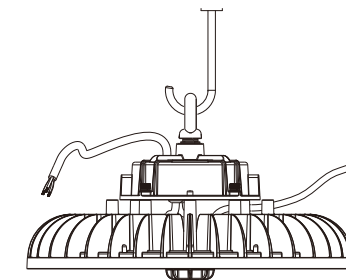
Distribution Diagram

Three types of lens optional, 60°, 90°, 120°. End user can change as they like, convenient and practical.

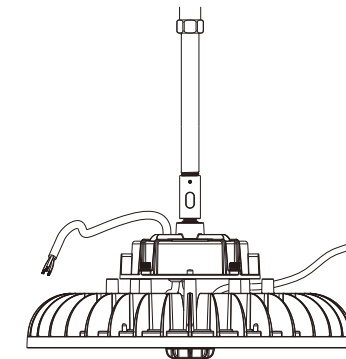


Installation

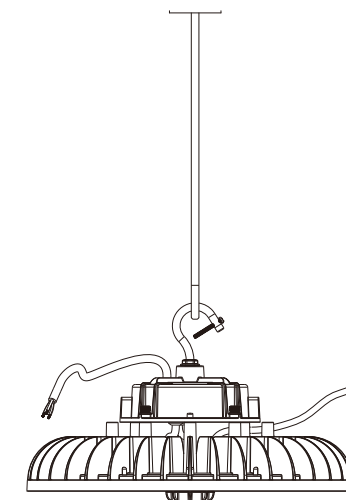
A variety of installation methods to meet reliable installation in a variety of applications



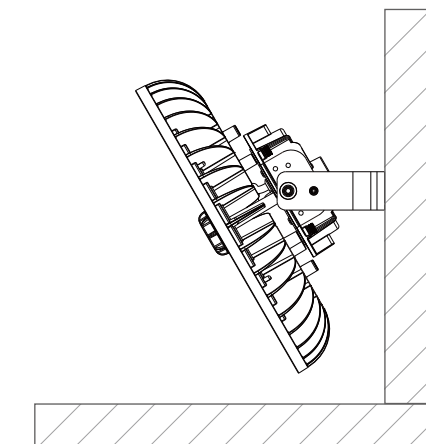
Suspender ring installation



Half inch pipe installation



Hook installation



U-bracket ceiling or wall installation

Accessories

Provide a variety of accessories to meet different uses.



Parameters



Product name	CCT	Lumen(lm)	Beam angle(°)	LEDs type	CRI	PF	Power(W)	Voltage
Cibay-B 100W	5000K	13400	60° / 90° / 120° 65-90-105°	SMD2835	Ra>80	>0.9	100W	120-277VAC 50/60Hz
	4000K	13270						
	3500K	12530						
	3000K	12300						
Cibay-B 150W	5000K	20190	60° / 90° / 120° 65-90-105°	SMD2835	Ra>80	>0.9	150W	120-277VAC 50/60Hz
	4000K	19830						
	3500K	18840						
	3000K	18480						
Cibay-B 200W	5000K	27260	60° / 90° / 120° 65-90-105°	SMD2835	Ra>80	>0.9	200W	120-277VAC 50/60Hz
	4000K	26840						
	3500K	25300						
	3000K	24810						
Cibay-B 240W	5000K	32340	60° / 90° / 120° 65-90-105°	SMD2835	Ra>80	>0.9	240W	120-277VAC 50/60Hz
	4000K	32170						
	3500K	30400						
	3000K	29850						

Package

Package	Power	Box dimension	Pack Quantity	Net weight	Gross weight
Optional packaging	100W	310*310*175mm	1 pc	2.45 kg	3.3 kg
	100W	12.2*12.2*6.89inch	1 pc	5.40 lb	7.28 lb
	150W	345*345*185mm	1 pc	2.90 kg	3.9 kg
	150W	13.58*13.58*7.28inch	1 pc	6.39 lb	8.60 lb
	200W	385*385*200mm	1 pc	4.20 kg	5.45 kg
	200W	15.16*15.16*7.87inch	1 pc	9.26 lb	12.02 lb
	240W	385*385*210mm	1 pc	4.75 kg	6.05 kg
	240W	15.16*15.16*8.27inch	1 pc	10.47 lb	13.34 lb
Standard packaging	100W	375*295*310mm	2 pcs	2.45 kg	6.0 kg
	100W	14.76*11.61*12.2inch	2 pcs	5.40 lb	13.23 lb
	150W	345*315*345mm	2 pcs	2.90 kg	7.1 kg
	150W	13.58*12.4*13.58inch	2 pcs	6.39 lb	15.65 lb
	200W	385**345*385mm	2 pcs	4.20 kg	10.0 kg
	200W	15.16**13.58*15.16inch	2 pcs	9.26 lb	22.05 lb
240W	385*365*385mm	2 pcs	4.75 kg	11.2 kg	
240W	15.16*14.35*15.16inch	2 pcs	10.47 lb	24.69 lb	



Application

Suitable for large workshop, airport, warehouse, parking lot, basement, gymnasium etc.

Cibay-E series

100W / 150W / 200W / 240W

- Annular lens design



Superior heat dissipation

The wide opening design of the heat dissipation channel accelerates the air convection and improves the heat dissipation efficiency.



135LPW or 160LPW optional

High efficiency LED, 135LPW and 160LPW optional.





Super slim design

Ultra-thin appearance, light and beautiful, saving more than 30% of transportation costs.



Annular lens design

Lens ring-shaped secondary light distribution, more uniform light spot.

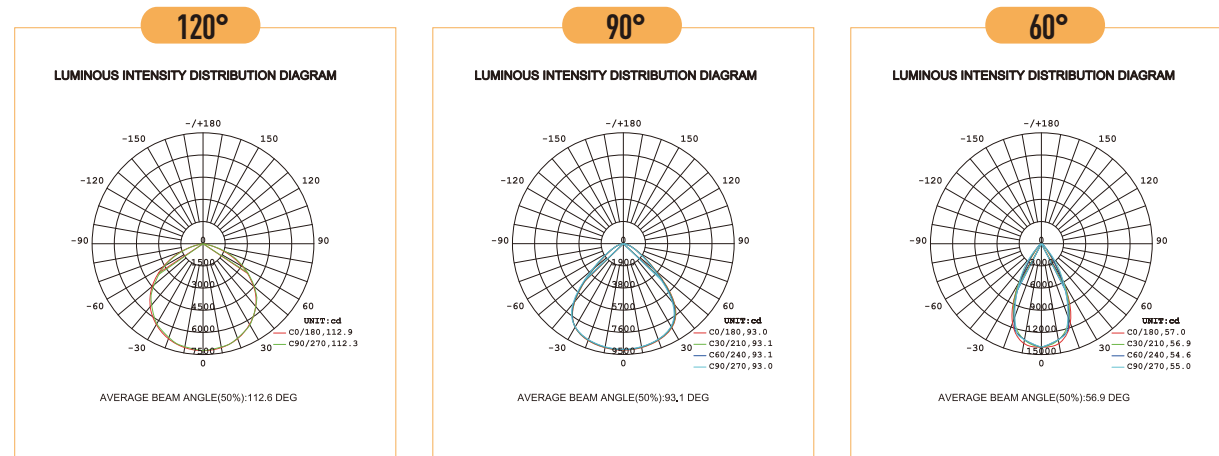
IP65 waterproof grade

Reliable waterproof design, the product can be waterproof in hot state, slight corrosion-proof grade indoors.



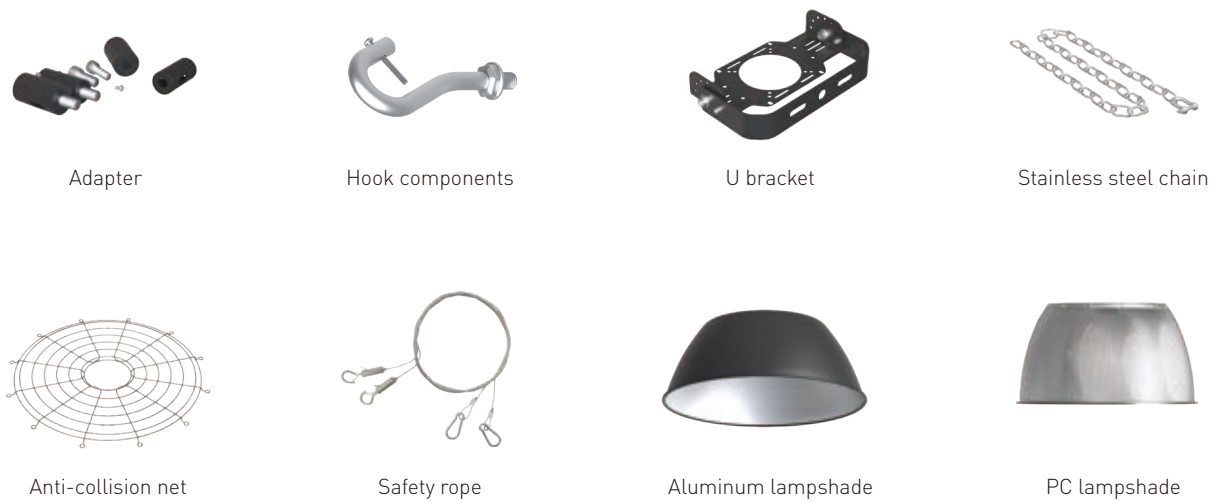
Distribution Diagram

Three types of lens optional, 60°, 90°, 120°. End user can change as they like, convenient and practical.



Accessories

Provide a variety of accessories to meet different uses.



Installation

A variety of installation methods to meet reliable installation in a variety of applications



Parameters



Product name	CCT	Lumen(lm)	Beam angle(°)	LEDs type	CRI	PF	Power(W)	Voltage
Cibay-E 100W	6000K	13400	60° / 90° / 120°	SMD2835	Ra>80	>0.9	100W	200-240VAC 50/60Hz
	5000K	13200						
	4000K	13100						
	3000K	12200						
Cibay-E 150W	6000K	19900	60° / 90° / 120°	SMD2835	Ra>80	>0.9	150W	200-240VAC 50/60Hz
	5000K	19900						
	4000K	19700						
	3000K	18200						
Cibay-E 200W	6000K	26700	60° / 90° / 120°	SMD2835	Ra>80	>0.9	200W	200-240VAC 50/60Hz
	5000K	26700						
	4000K	26000						
	3000K	23500						
Cibay-E 240W	6000K	32200	60° / 90° / 120°	SMD2835	Ra>80	>0.9	240W	200-240VAC 50/60Hz
	5000K	32200						
	4000K	31500						
	3000K	28400						

Package

Power	Box dimension	Pack Quantity	Net weight	Gross weight
100W	320*300*320mm 12.6*11.81*12.6inch	2 pc	1.9 kg	4.5 kg
		2 pc	4.19 lb	9.92 lb
150W	350*310*350mm 13.78*12.2*13.78inch	2 pc	2.4 kg	5.5 kg
		2 pc	5.29 lb	12.13 lb
200W	375*310*370mm 14.76*12.2*14.57inch	2 pc	2.8 kg	6.5 kg
		2 pc	6.17 lb	14.33 lb
240W	375*310*370mm 14.76*12.2*14.57inch	2 pc	3.3 kg	7.6 kg
		2 pc	7.28 lb	16.76 lb



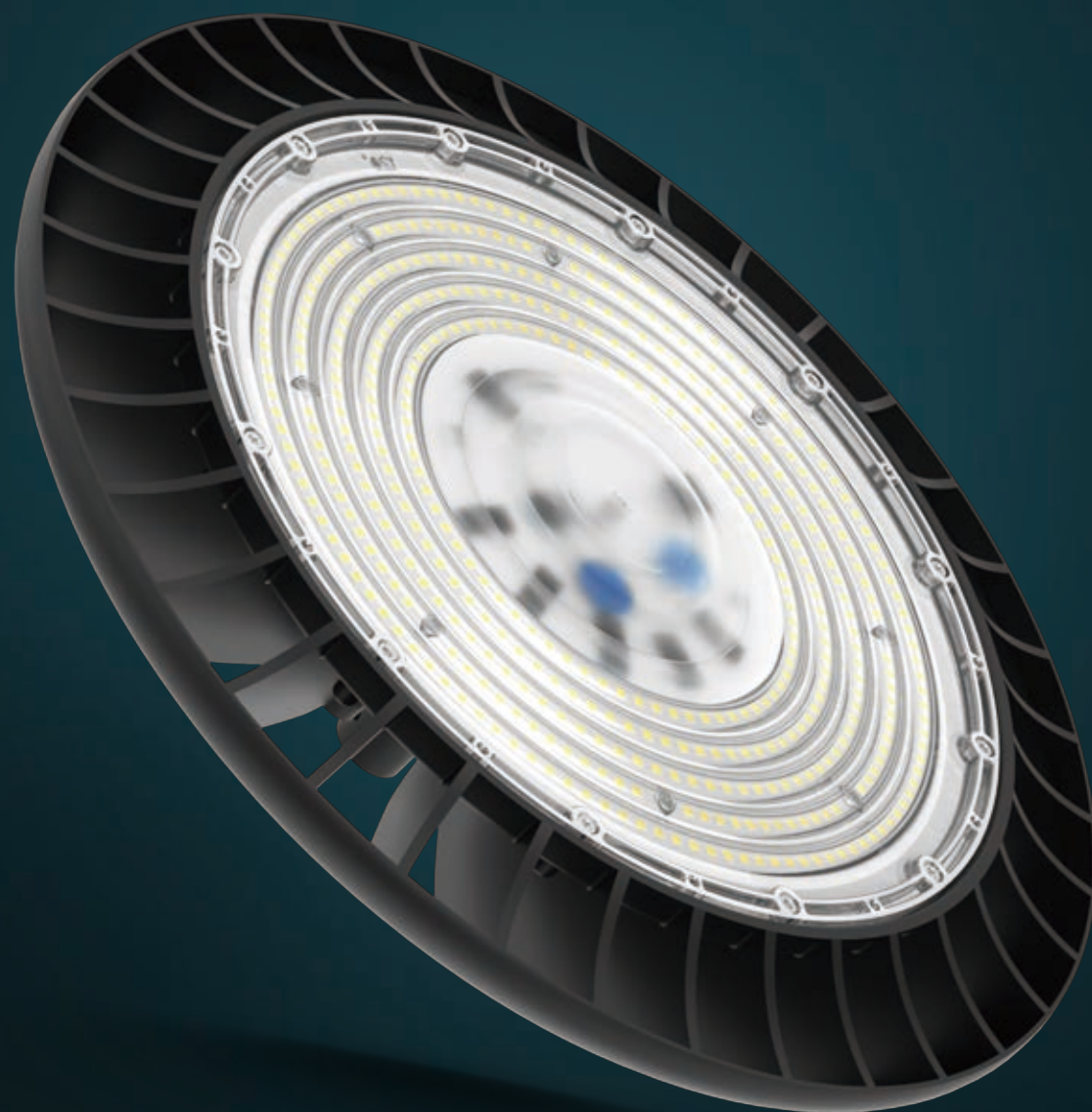
Application

Suitable for large workshop, airport, warehouse, parking lot, basement, gymnasium etc.

Cibay-D series

100W / 150W / 200W / 240W

- Super slim, driver on board design



Driver on board design

no capacitor, fixture is more stable and durable.



Superior heat dissipation

Ultra-wide air convection channels between the front heat sinks can improve heat dissipation efficiency.



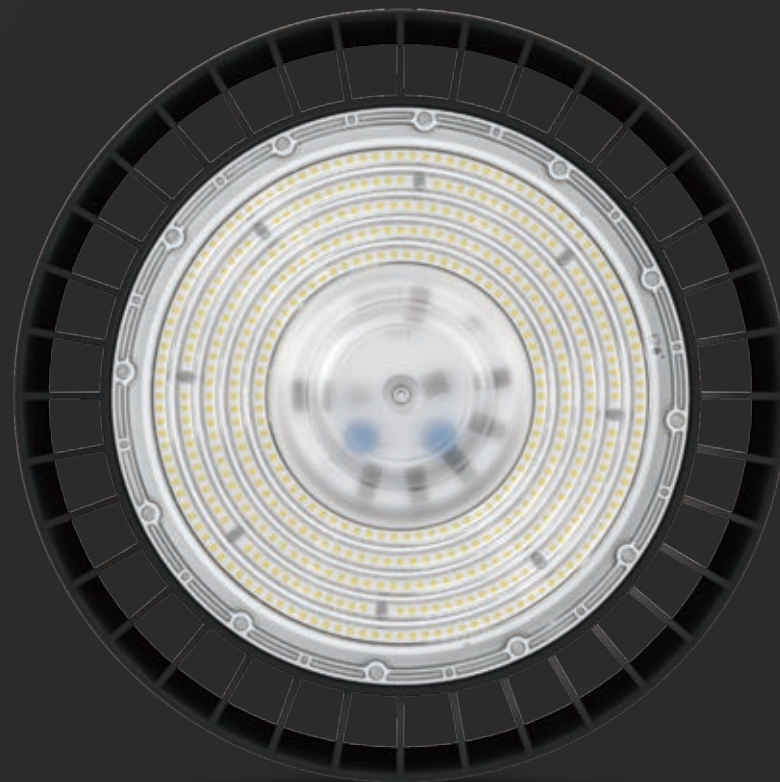
Super slim design

Ultra-thin appearance, light and beautiful, saving more than 50% of transportation costs.



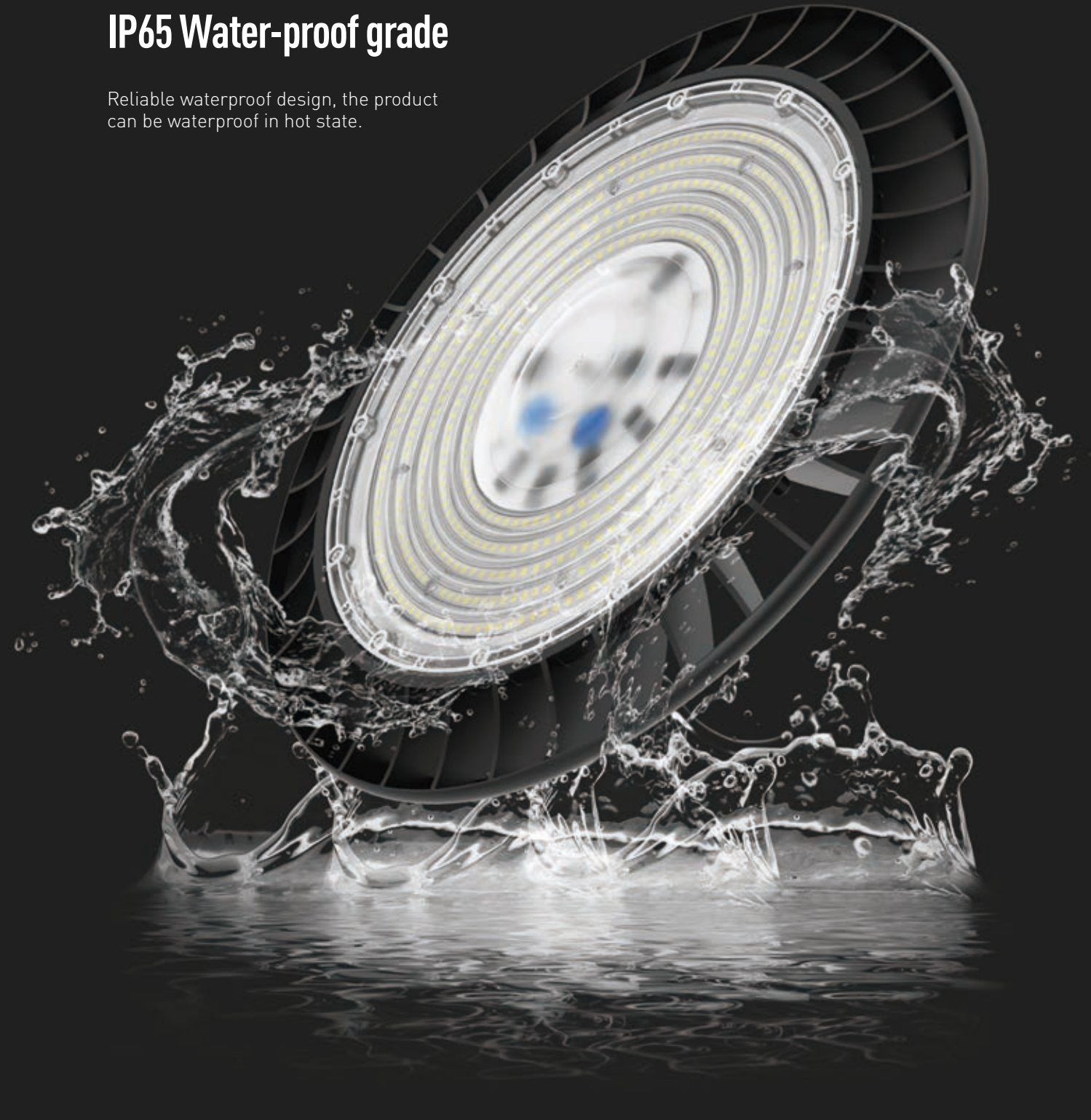
100LPW ,130LPW options

High quality LEDs,100LPW ,130LPW is customized



IP65 Water-proof grade

Reliable waterproof design, the product can be waterproof in hot state.

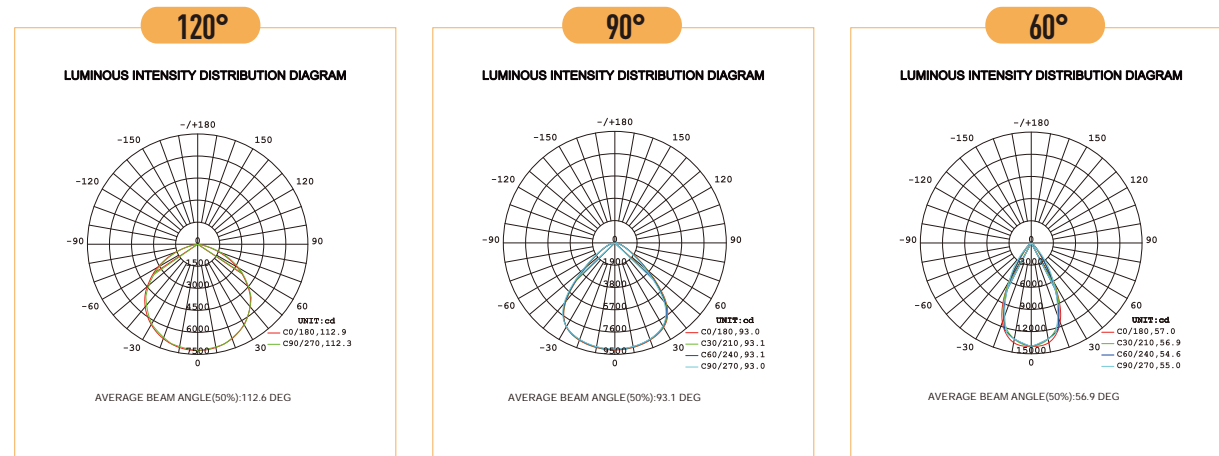


IK10, high impact resistance

Light distribution structure with metal shell and plastic lens, can be used in application areas that require impact protection.

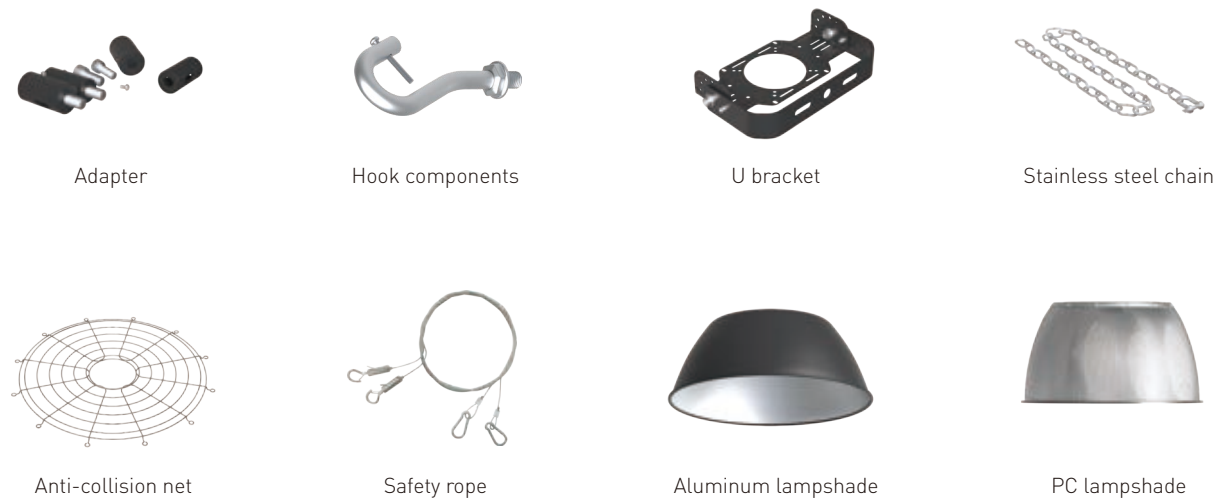
Distribution Diagram

Three types of lens optional, 60°, 90°, 120°. End user can change as they like, convenient and practical.



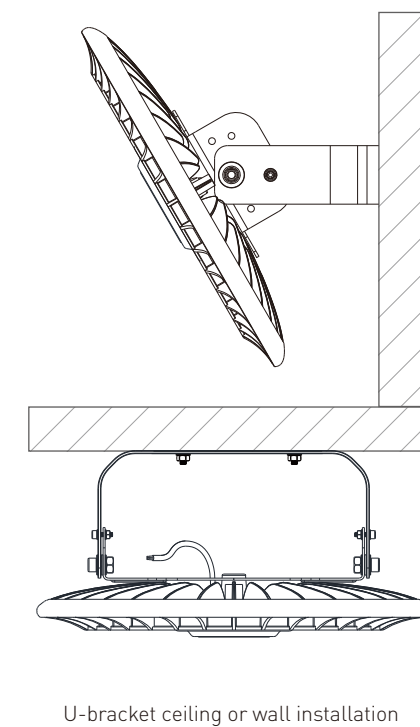
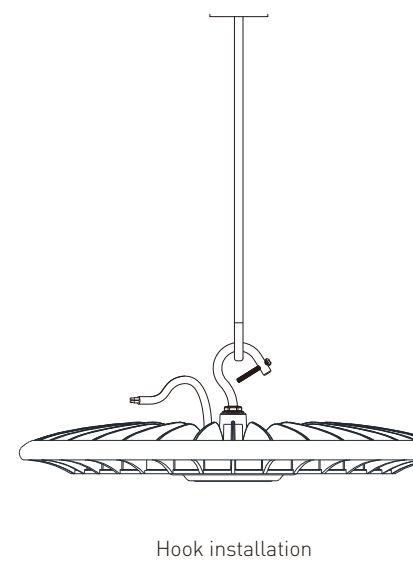
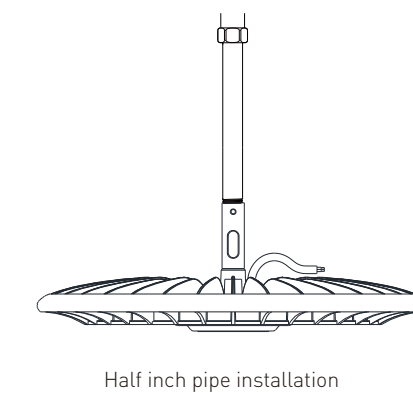
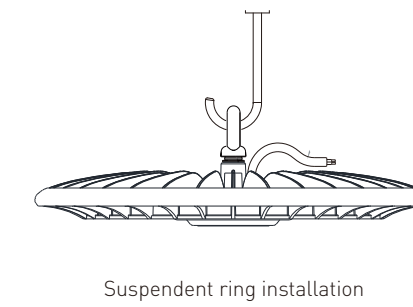
Accessories

Provide a variety of accessories to meet different uses.



Installation

A variety of installation methods to meet reliable installation in a variety of applications



Parameters CE for EU



Product name	CCT	Lumen(lm)	Beam angle(°)	LEDs type	CRI	PF	Power(W)	Voltage
Cibay-D 100W	6000K	10000	60° / 90° / 120°	SMD2835	Ra>80	>0.9	100W	220-240VAC 50/60Hz
	4000K	10020						
	3000K	9000						
Cibay-D 150W	6000K	14400	60° / 90° / 120°	SMD2835	Ra>80	>0.9	150W	220-240VAC 50/60Hz
	4000K	14300						
	3000K	13800						
Cibay-D 200W	6000K	19700	60° / 90° / 120°	SMD2835	Ra>80	>0.9	200W	220-240VAC 50/60Hz
	4000K	19600						
	3000K	18500						
Cibay-D 240W	6000K	22500	60° / 90° / 120°	SMD2835	Ra>80	>0.9	240W	220-240VAC 50/60Hz
	4000K	22800						
	3000K	21000						

Package

Power	Box dimension	Pack Quantity	Net weight	Gross weight
100W	615*345*325mm 24.22*13.58*12.8inch	12 pc 12 pc	0.75 kg 1.65 lb	11.0 kg 24.25 lb
150W	455*375*345mm 17.91*14.76*13.58inch	8 pc 8 pc	1.2 kg 2.65 lb	11.0 kg 24.25 lb
200W	465*375*375mm 18.3*14.76*14.76inch	8 pc 8 pc	1.6 kg 3.53 lb	13.5 kg 29.76 lb
240W	375*345*375mm 14.76*13.58*14.76inch	6 pc 6 pc	2.0 kg 4.4 lb	14.0 kg 30.86 lb

Application

Suitable for large workshop, airport, warehouse, parking lot, basement, gymnasium etc.



Cibay-S series

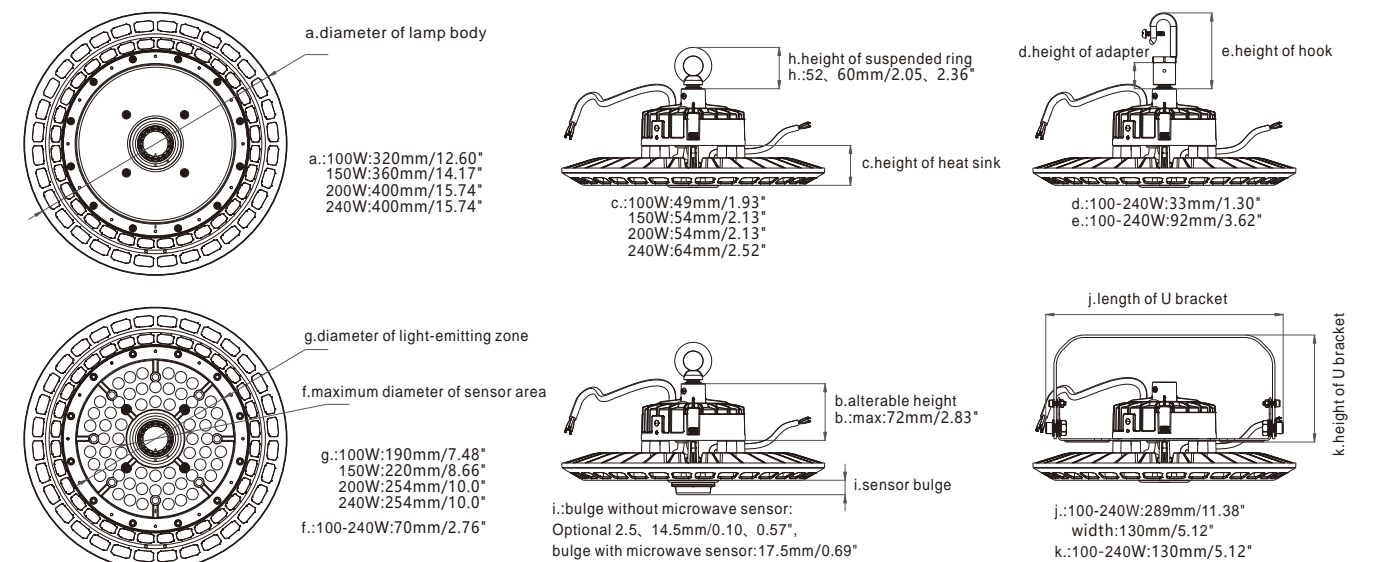
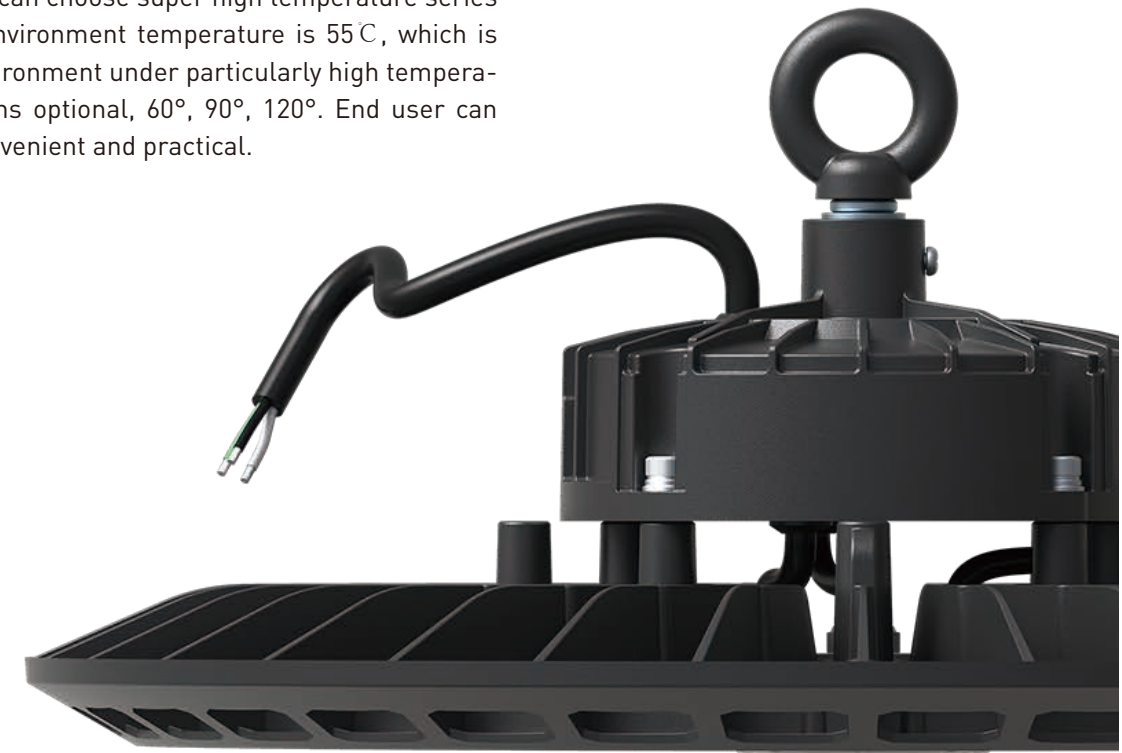
100W / 150W / 200W / 240W

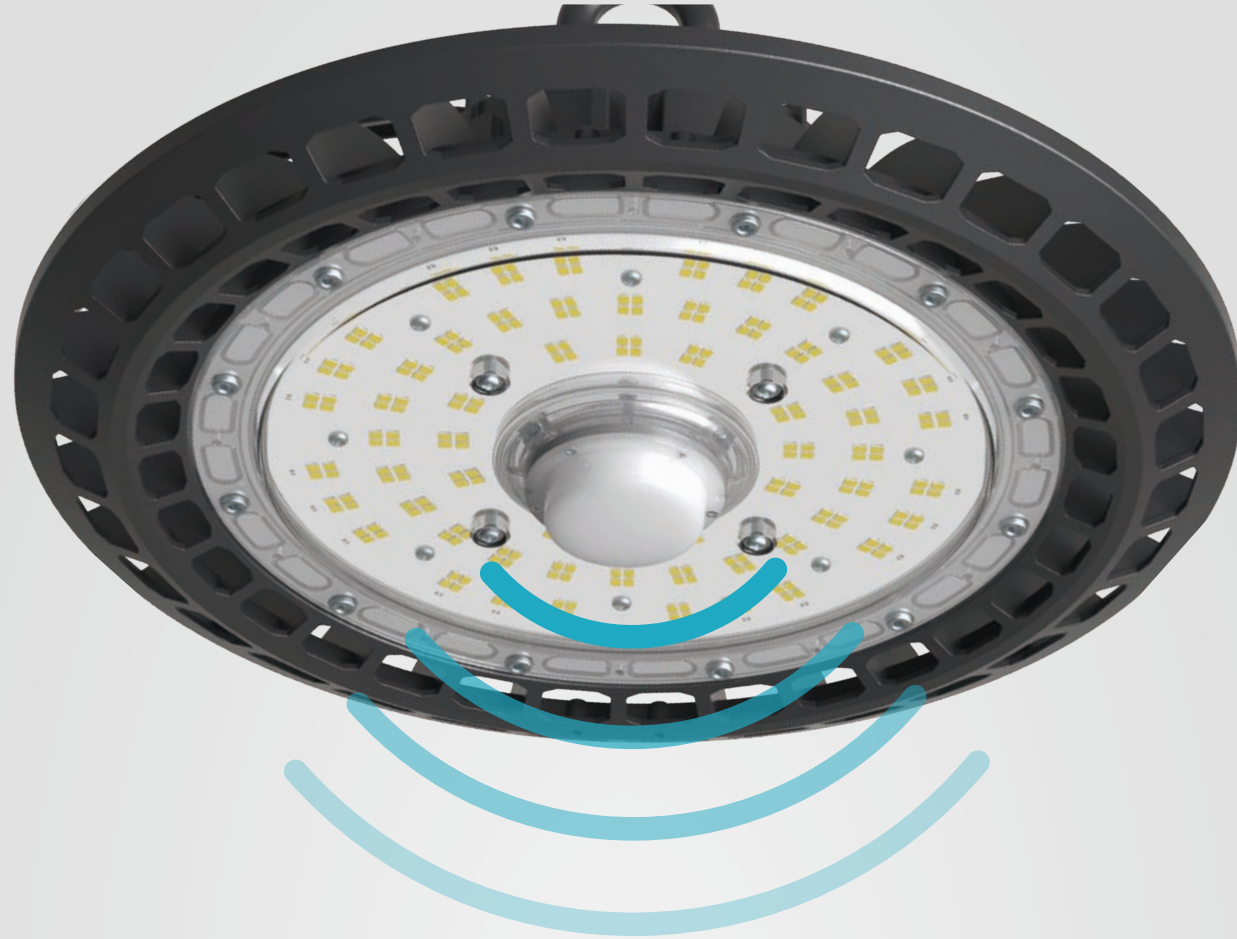
- Plug and play sensor



Cibay-S High Bay Light adopt built-in motion sensor developed by Signcomplex, which adopts patent design and can save over 90% of labor time as it do not need wiring. In the meanwhile, it reduces user inventory greatly. Using together with this intelligent microwave sensor, all traditional Cibay-S High Bay Light can realize both functions of motion sensing and light sensing.

Cibay-S High Bay Light can choose super high temperature series and maximum using environment temperature is 55°C, which is applicable to use in environment under particularly high temperature. Three types of lens optional, 60°, 90°, 120°. End user can change as they like, convenient and practical.





Motion-sensing

The sensor can detect brightness of ambient light and moving objects, with insufficient ambient light, the sensor switch on the lamp when motion is detected.



Multifunctional plug-and-play Interface

Built-in control interface, a microwave or infrared sensor can be installed after screwing off the cap.



High temperature series optional

Applicable to special environment in temperature no more than 55°C.

170LPW and 140LPW high lighting effect

Adopt LED of high lighting effect, lighting effect of luminaire reaches up to 170LPW.

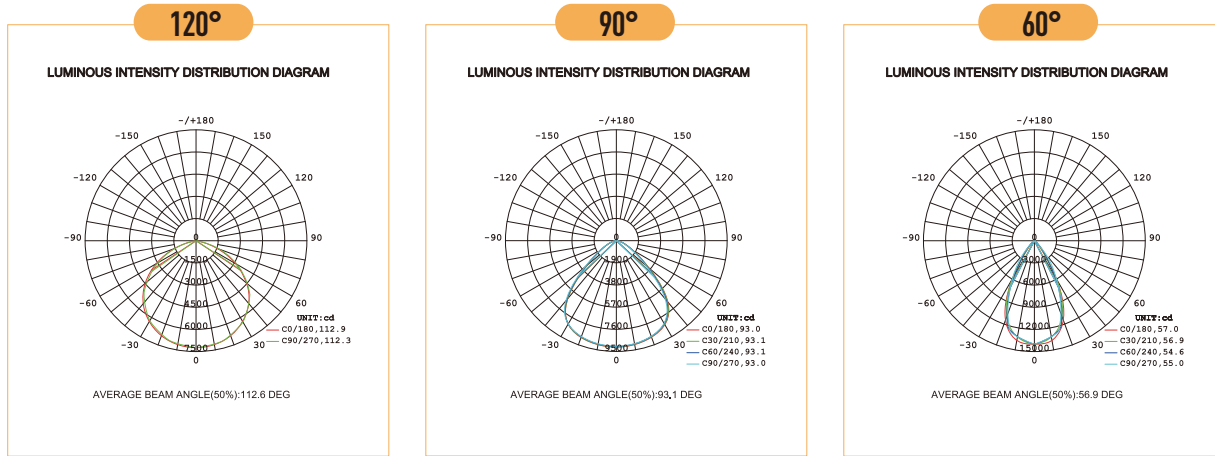


PC lens optical

Optical device with PC lens, IK08, anti UV.

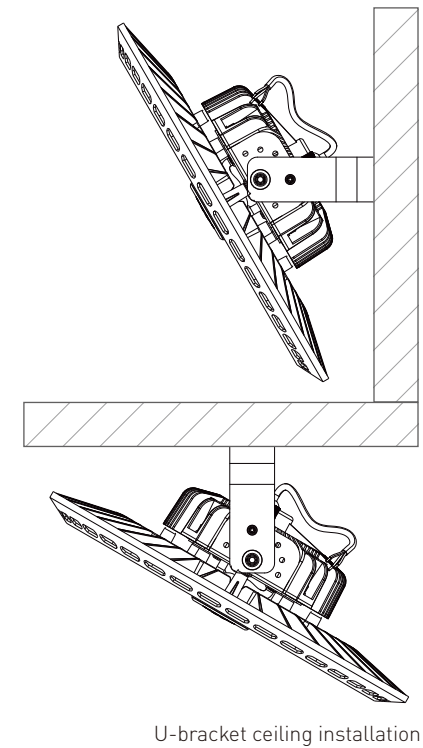
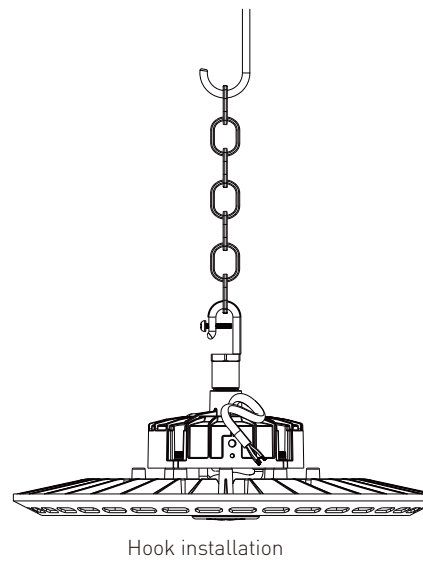
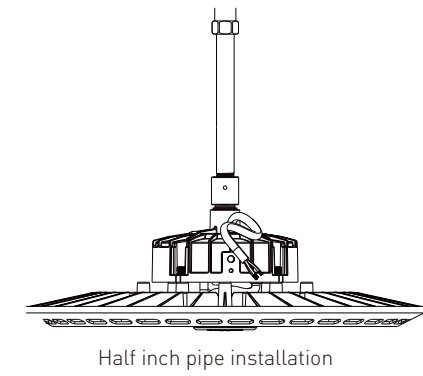
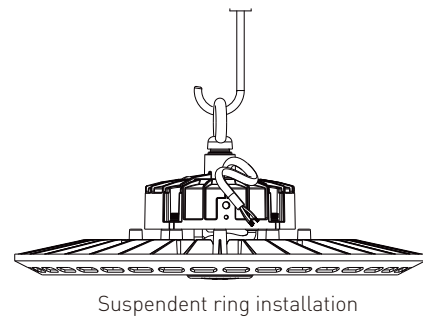
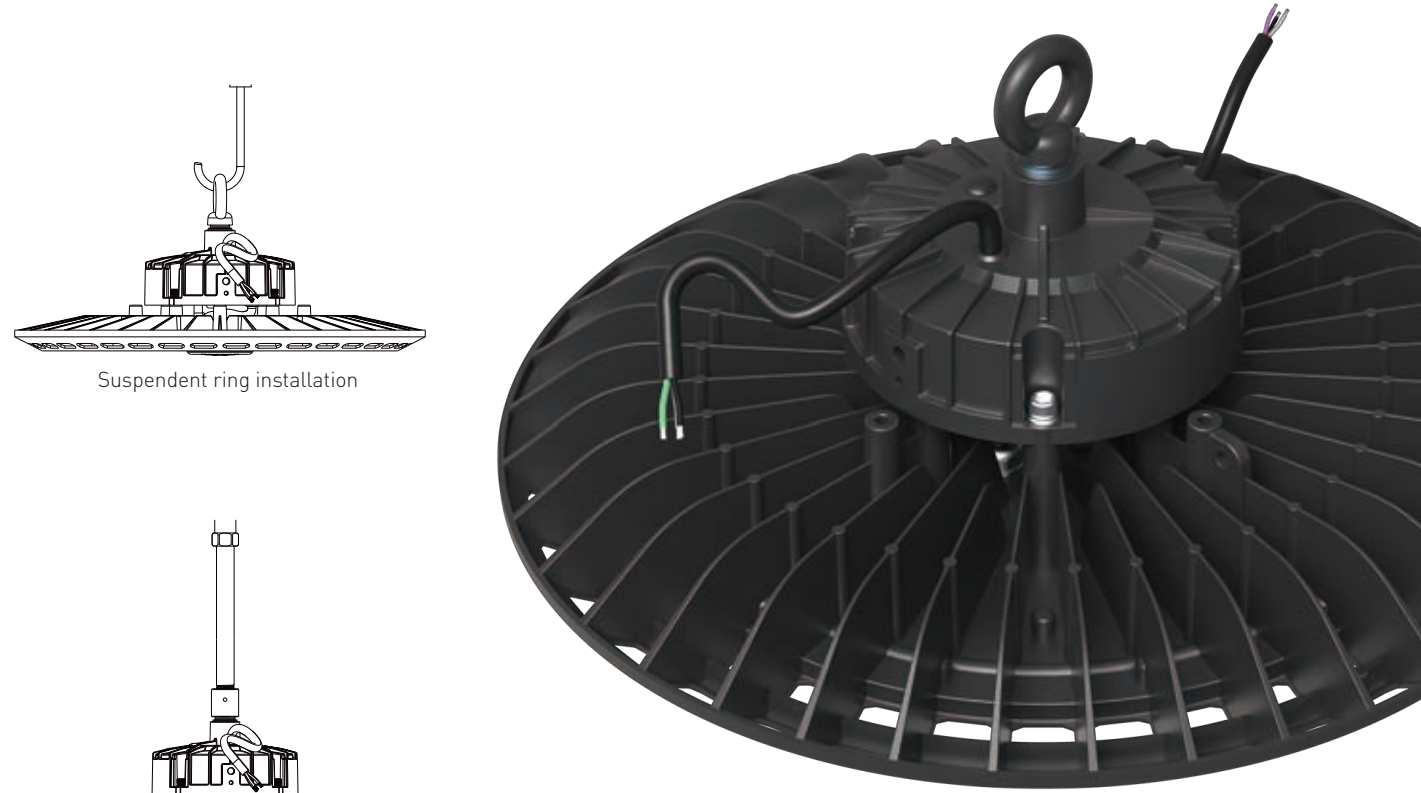
Distribution Diagram

Three types of lens optional, 60°, 90°, 120°. End user can change as they like, convenient and practical.



Installation

A variety of installation methods to meet reliable installation in a variety of applications

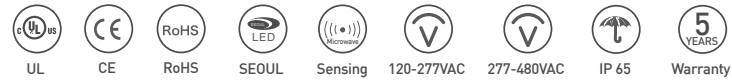


Accessories

Provide a variety of accessories to meet different uses.



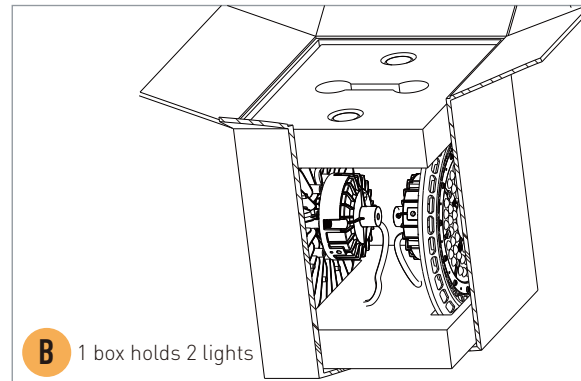
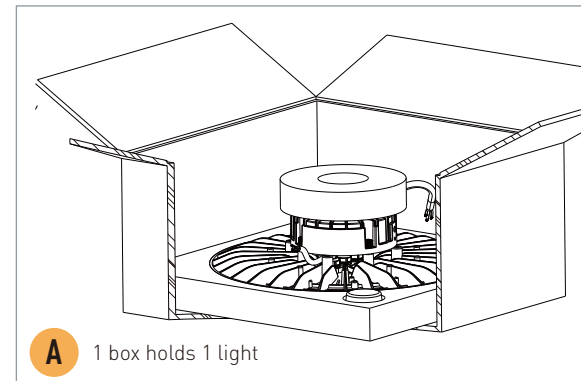
Parameters



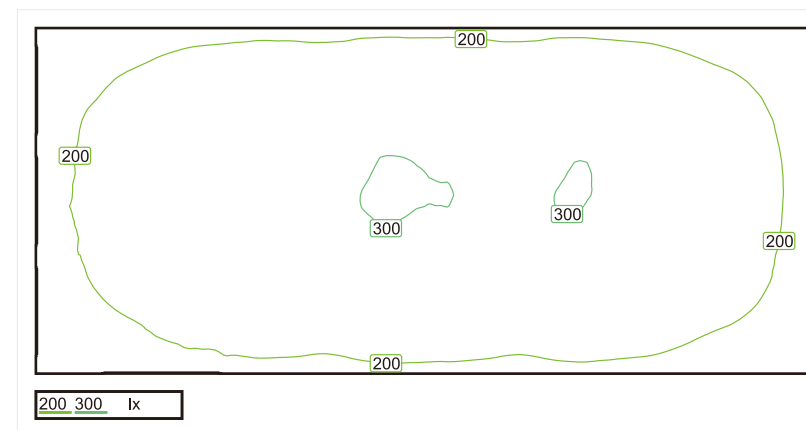
Product name	CCT	Lumen(lm)	Beam angle(°)	LEDs type	CRI	PF	Power(W)	Voltage
Cibay-S 100W	5000K	13400	60° / 90° / 120°	SMD2835	Ra>80	>0.9	100W	120-277VAC 50/60Hz
	4000K	13270						
	3500K	12530						
	3000K	12300						
Cibay-S 150W	5000K	20190	60° / 90° / 120°	SMD2835	Ra>80	>0.9	150W	120-277VAC 50/60Hz
	4000K	19830						
	3500K	18840						
	3000K	18480						
Cibay-S 200W	5000K	27260	60° / 90° / 120°	SMD2835	Ra>80	>0.9	200W	120-277VAC 50/60Hz
	4000K	26840						
	3500K	25300						
	3000K	24810						
Cibay-S 240W	5000K	32340	60° / 90° / 120°	SMD2835	Ra>80	>0.9	240W	120-277VAC 50/60Hz
	4000K	32170						
	3500K	30400						
	3000K	29850						

Package

Package	Power	Box dimension	Pack Quantity	Net weight	Gross weight	
A	100W	375*375*175mm	1 pc	2.95 kg	3.8 kg	
	100W	14.76*14.76*6.89inch	1 pc	6.5 lb	8.38 lb	
	150W	415*415*185mm	1 pc	3.55 kg	4.55 kg	
	150W	16.34*16.34*7.28inch	1 pc	7.83 lb	10.0 lb	
	200W	450*450*185mm	1 pc	4.3 kg	5.4 kg	
	200W	17.72*17.72*7.28inch	1 pc	9.48 lb	11.9 lb	
	240W	450*450*205mm	1 pc	5.65 kg	6.85 kg	
	240W	17.72*17.72*8.07inch	1 pc	12.46 lb	15.1 lb	
	B	100W	375*315*375mm	2 pcs	2.95 kg	7.0 kg
		100W	14.76*12.4*14.76inch	2 pcs	6.5lb	15.43 lb
150W		415*320*415mm	2 pcs	3.55 kg	8.35 kg	
150W		16.34*12.6*16.34inch	2 pcs	7.83 lb	18.41 lb	
200W		450**325*450mm	2 pcs	4.3 kg	9.95 kg	
200W		17.72**12.8*17.72inch	2 pcs	9.48 lb	21.94 lb	
240W		450*370*450mm	2 pcs	5.65 kg	12.7 kg	
240W		17.72*14.57*17.72inch	2 pcs	12.46 lb	28.0 lb	



Workplane 5 / Isolines/Perpendicular illuminance (adaptive)



Scale: 1 : 200

Perpendicular illuminance (Surface)
Average: 240 lx, Min: 113 lx, Max: 303 lx, Min/average: 0.469, Min/max: 0.371, Points: 1024 x 512 (Relevant: 523586)

Height of working plane: 0.800 m, Wall zone: 0.000 m

Relevant points are points that are within the respective surface and are not covered by furniture or other elements. The summarized results are based exclusively on these points, as all other points would falsify the results, in some cases significantly.

Cibay-I series

100W / 150W / 200W / 240W

- NSF certified, can be used in food factory



NSF certified

NSF is an authoritative institution in the field of public health and safety. Passing the NSF certification means that our highbay light is rigorously tested and guaranteed to consumers.



Smooth body design

A smooth outer shell eliminates exposed hardware and crevices where moisture and bacteria can accumulate to cause contamination issues.

High efficiency

High efficiency LED, multiple brightness levels optional.



IP69K waterproof

Suitable for more harsh environments that require dust and water resistance.

IK08, anti-UV

UV-resistant PC material optics, IK08 impact resistance grade. Suitable for harsh environment, such as chemical plants.

Multifunctional plug-and-play interface

Multifunctional and expandable interface, plug&play module, no need wiring, save labor costs.



Intelligent sensing, saving 70% electricity

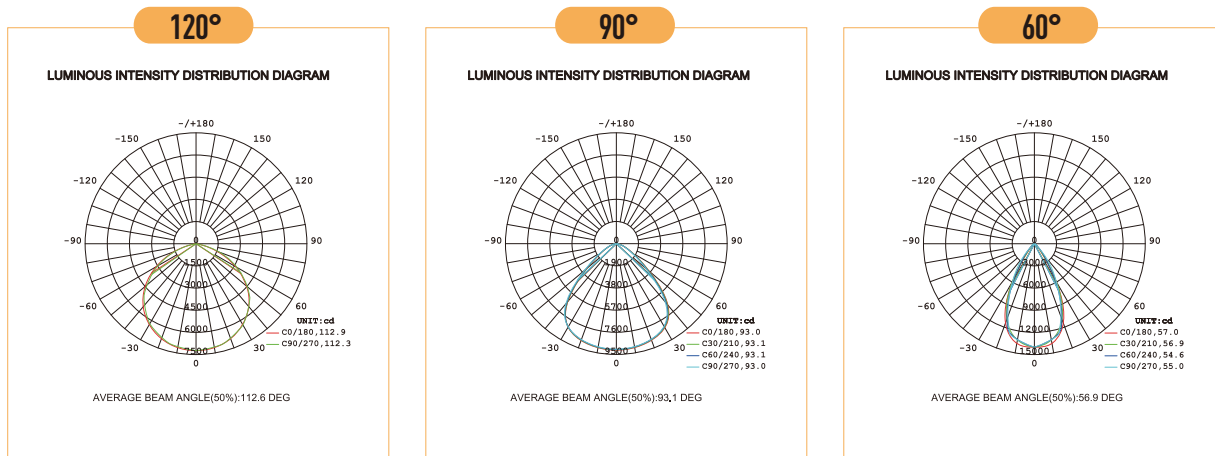
Detect human or moving object and automatically adjust the brightness. Auto light sensor: the light turns on automatically at night, off during the day.

High efficient heat conduction

The LEDs are arranged symmetrically in a circle, so that heat source can be evenly distributed, have high efficient heat conduction.

Distribution Diagram

Three types of lens optional, 60°, 90°, 120°. End user can change as they like, convenient and practical.



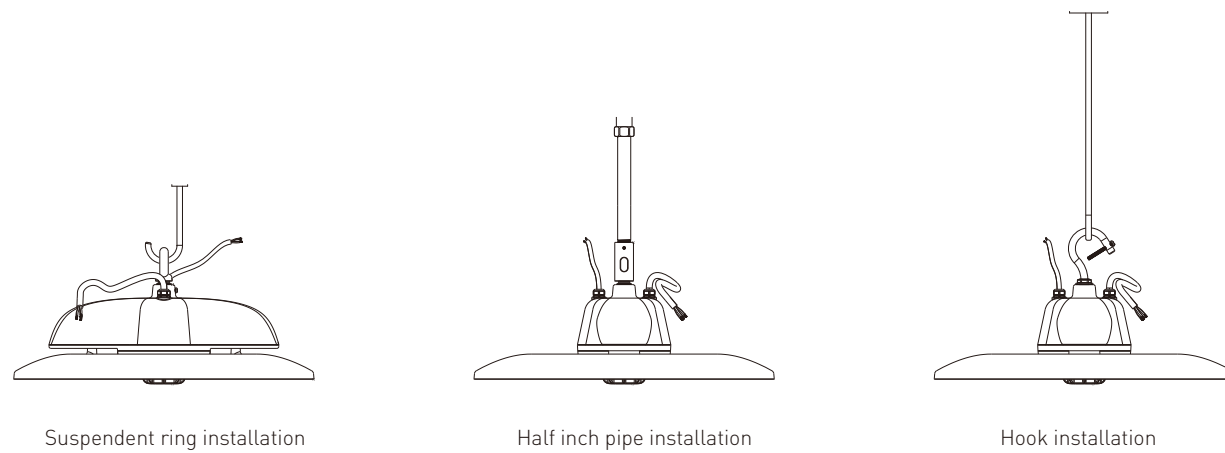
Parameters



Product name	CCT	Lumen(lm)	Beam angle(°)	LEDs type	CRI	PF	Power(W)	Voltage
Cibay-I 100W	5000K	13800	60° / 90° / 120°	SMD2835	Ra>80	>0.9	100W	120-277VAC 50/60Hz
	4000K	13800						
	3500K	13000						
	3000K	13570						
Cibay-I 150W	5000K	20700	60° / 90° / 120°	SMD2835	Ra>80	>0.9	150W	120-277VAC 50/60Hz
	4000K	20700						
	3500K	19500						
	3000K	20250						
Cibay-I 200W	5000K	27600	60° / 90° / 120°	SMD2835	Ra>80	>0.9	200W	120-277VAC 50/60Hz
	4000K	27600						
	3500K	26000						
	3000K	27000						
Cibay-I 240W	5000K	33120	60° / 90° / 120°	SMD2835	Ra>80	>0.9	240W	120-277VAC 50/60Hz
	4000K	33120						
	3500K	31200						
	3000K	32400						

Installation

A variety of installation methods to meet reliable installation in a variety of applications



Package

Power	Box dimension	Pack Quantity	Net weight	Gross weight
100W	395*395*200mm 15.55*15.55*7.87inch	1 pc 1 pc	3.15 kg 6.94 lb	3.95 kg 8.71 lb
150W	395*395*200mm 15.55*15.55*7.87inch	1 pc 1 pc	3.30 kg 7.28 lb	4.10 kg 9.04 lb
200W	470*470*205mm 18.50*18.50*8.07inch	1 pc 1 pc	4.85 kg 10.69 lb	5.90 kg 13.01 lb
240W	470*470*205mm 18.50*18.50*8.07inch	1 pc 1 pc	5.00 kg 11.02 lb	6.05 kg 13.34 lb

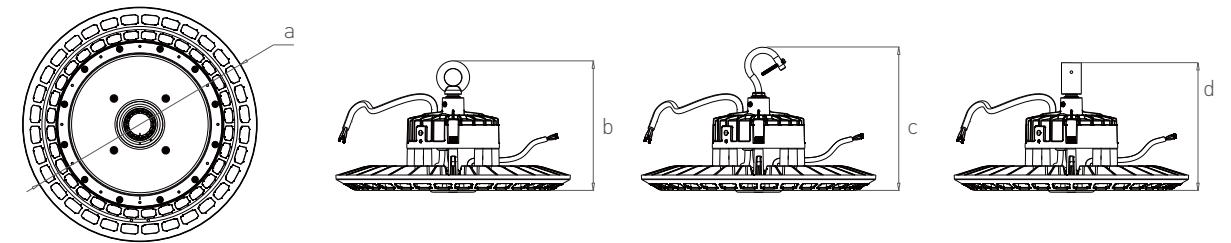
Cibay-T1 series

100W / 150W / 200W / 240W

- Can be used in smelter($\leq 65^{\circ}\text{C}$)

Cibay-T1 high bay, which is applied to ambient high temperature working area where operation temperature may reach 65°C , such as Steel plant, Aluminum smeltery, and other High-temperature environment.

Cibay-T1 is with built-in overtemperature protection which has high temperature control accuracy and sensitive. 60 degrees, 90 degrees, 120 degrees three kinds of lens optional, the end customer can also change, convenient and practical.

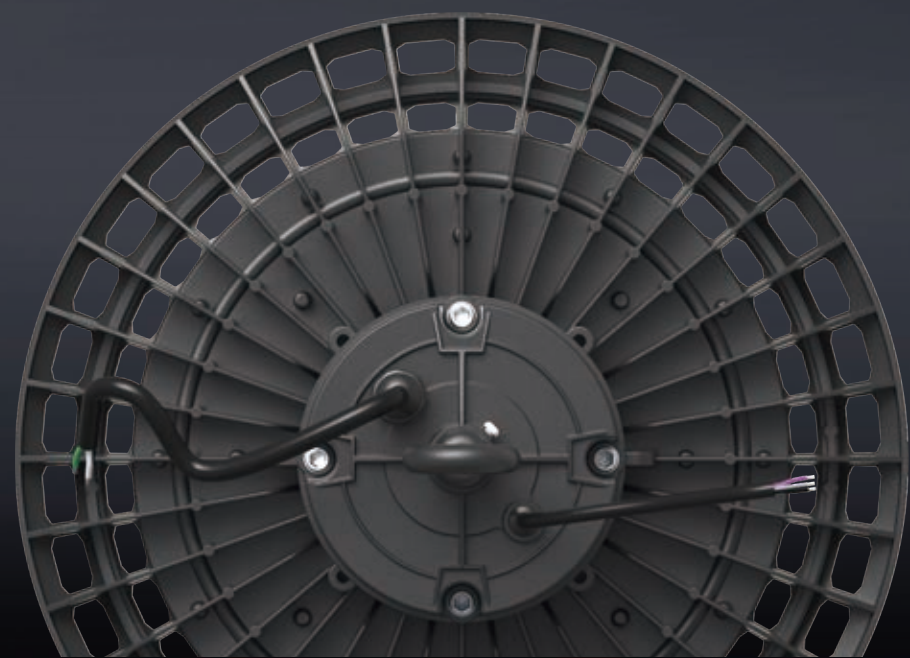


Identification	100W	120W	150W	200W
a	$\phi 320\text{mm}, 12.60''$	$\phi 360\text{mm}, 14.17''$	$\phi 400\text{mm}, 15.74''$	$\phi 400\text{mm}, 15.74''$
b	184mm, 7.24"	189mm, 7.44"	192mm, 7.56"	207mm, 8.15"
c	224mm, 8.82"	229mm, 9.02"	232mm, 9.13"	247mm, 9.72"
e	197mm, 7.76"	202mm, 7.95"	205mm, 8.07"	220mm, 8.66"



High temperature resistant

It can be used in harsh environment with ambient temperature less than 65 °C.



Built in overtemperature protection

Built in overtemperature protection which can ensure lamp has longer lifespan.

IK08, anti-UV

UV-resistant PC material optics, IK08 impact resistance grade.



High efficient heat conduction

The LEDs are arranged symmetrically in a circle, so that heat source can be evenly distributed.

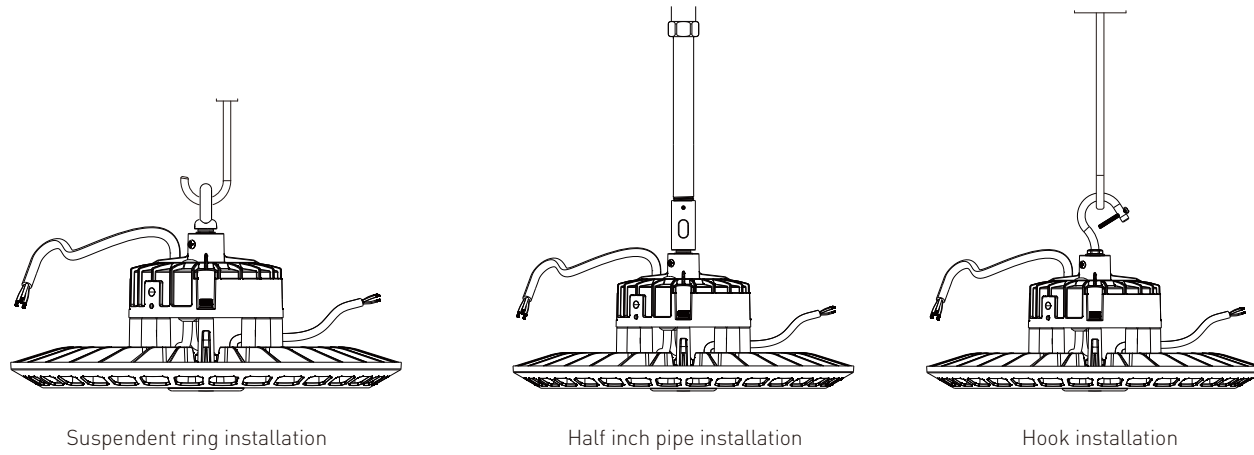


High lighting effect

The luminous efficiency of the lamp is up to 140LPW, 160LPW is optional.

Installation

A variety of installation methods to meet reliable installation in a variety of applications



Suspended ring installation

Half inch pipe installation

Hook installation

Application

Suitable for Smelter, refineries, Boiler plant and other high temperature application



Parameters



Product name	CCT	Lumen(lm)	Beam angle(°)	LEDs type	CRI	PF	Power(W)	Voltage
Cibay-T1 00W	6000K	13400	120°	SMD2835	Ra>80	>0.9	100W	100-240VAC 50/60Hz
	4000K	13270	90°					
	3000K	12300	60°					
Cibay-T1 120W	6000K	17400	120°	SMD2835	Ra>80	>0.9	120W	100-240VAC 50/60Hz
	4000K	17160	90°					
	3000K	16320	60°					
Cibay-T1 150W	6000K	22500	120°	SMD2835	Ra>80	>0.9	150W	100-240VAC 50/60Hz
	4000K	22200	90°					
	3000K	21150	60°					
Cibay-T1 200W	6000K	28000	120°	SMD2835	Ra>80	>0.9	200W	100-240VAC 50/60Hz
	4000K	27600	90°					
	3000K	26200	60°					

Package

Power	Box dimension	Pack Quantity	Net weight	Gross weight
100W	375*375*195mm 14.76*14.76*7.68inch	1 pc	2.80 kg 6.17 lb	3.80kg 8.38 lb
		1 pc		
120W	415*415*205mm 16.34*16.34*8.07inch	1 pc	3.30 kg 7.28 lb	4.50 kg 9.92 lb
		1 pc		
150W	450*450*205mm 17.72*17.72*8.07inch	1 pc	3.90 kg 2.60 lb	5.30 kg 11.68 lb
		1 pc		
200W	450*450*225mm 17.72*17.72*8.86inch	1 pc	5.30 kg 11.68 lb	6.80 kg 14.99 lb
		1 pc		

Cibay-T2 series

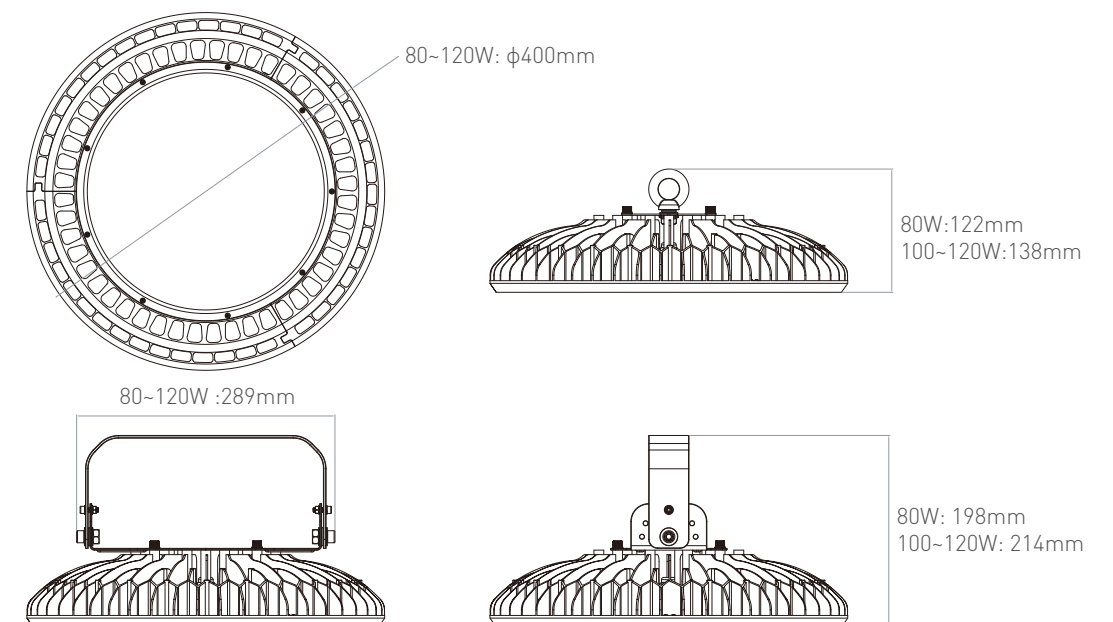
80W / 100W / 120W

- Can be used in smelter ($\leq 85^{\circ}\text{C}$)



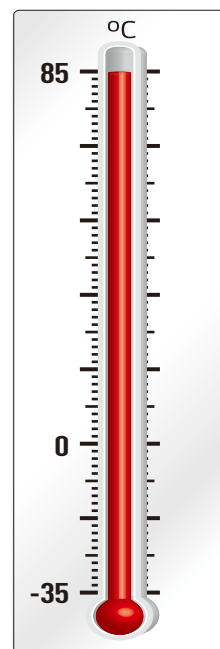
CIBAY-T2 adopts Seoul Y19 series of high temperature resistant LED, with inverted package without gold wire connection, owning good stability and high temperature resistance.

With the all-solid DOB drive scheme, there is no trouble with the temperature resistance of electrolytic capacitors, so that the product can work stably under the environment of $-35\sim+85^{\circ}\text{C}$, which is especially suitable for high temperature places such as smelters and boiler plants.



High temperature resistant

Adopt all solid-state DOB drive scheme, stable performance, ultra-high temperature resistance, Working temperature: -35 °C ~ +85 °C



No external power supply

The product adopts integrated design, with no external power supply, thin and light appearance, easy maintenance.



10KV surge protection

Standard 10KV surge protection.

Suitable for damp environment

Suitable for damp environment, slight corrosion-proof grade indoors.

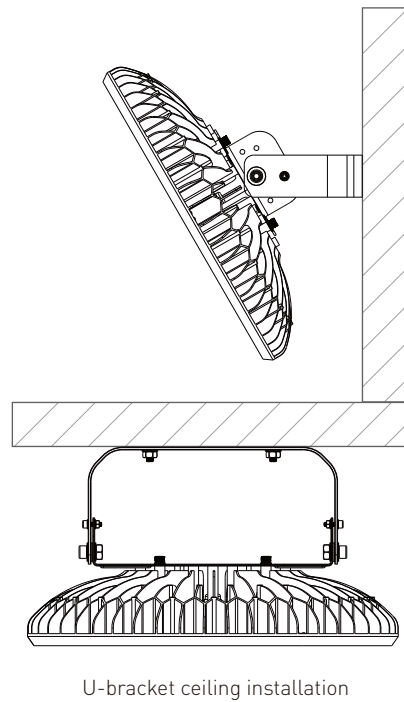
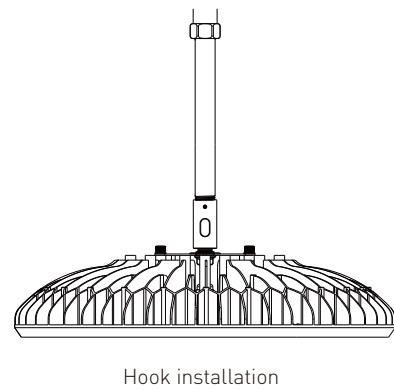
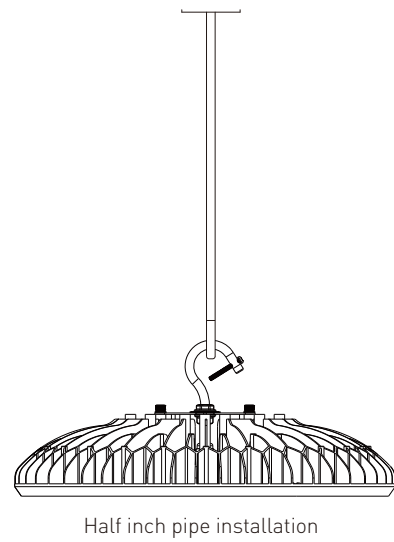
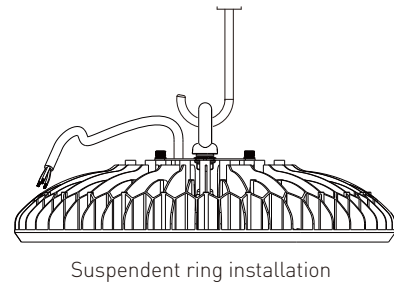
High light transmission glass

Adopt high light transmission tempered glass, 120 degree light distribution, IK08 impact resistance level.



Installation

A variety of installation methods to meet reliable installation in a variety of applications



Parameters



Product name	CCT	Lumen(lm)	Beam angle(°)	LEDs type	CRI	PF	Power(W)	Voltage
Cibay-T2 80W	6000K	9200	120°	SMD Y19	Ra>80	>0.9	80W	220-240VAC 50/60Hz
	5000K	9200						
	4000K	8800						
	3000K	8400						
Cibay-T2 100W	6000K	11500	120°	SMD Y19	Ra>80	>0.9	100W	220-240VAC 50/60Hz
	5000K	11500						
	4000K	11000						
	3000K	10500						
Cibay-T2 120W	6000K	13800	120°	SMD Y19	Ra>80	>0.9	120W	220-240VAC 50/60Hz
	5000K	13800						
	4000K	13200						
	3000K	12600						

Package

Power	Box dimension	Pack Quantity	Net weight	Gross weight
80W	450*450*170mm 17.72*17.72*6.69inch	1 pc 1 pc	3.4 kg 7.50 lb	4.9 kg 10.80 lb
100W	450*450*185mm 17.72*17.72*7.13inch	1 pc 1 pc	4.4 kg 9.70 lb	5.9 kg 13.00 lb
120W	450*450*185mm 17.72*17.72*7.13inch	1 pc 1 pc	4.4 kg 9.70 lb	5.9 kg 13.00 lb

Accessories

Provide a variety of accessories to meet different uses.



Adapter



Hook components



U bracket



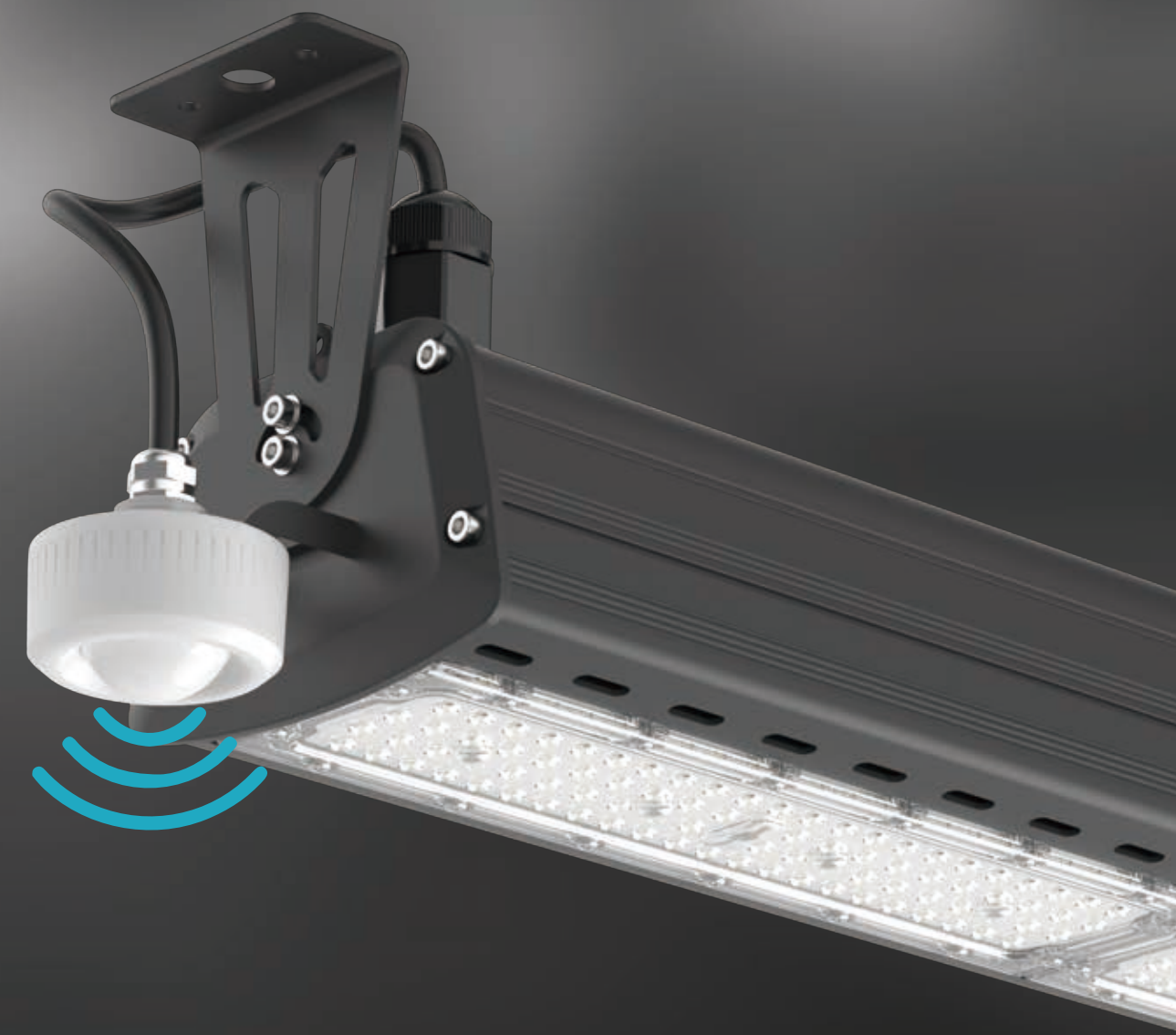
Stainless steel chain

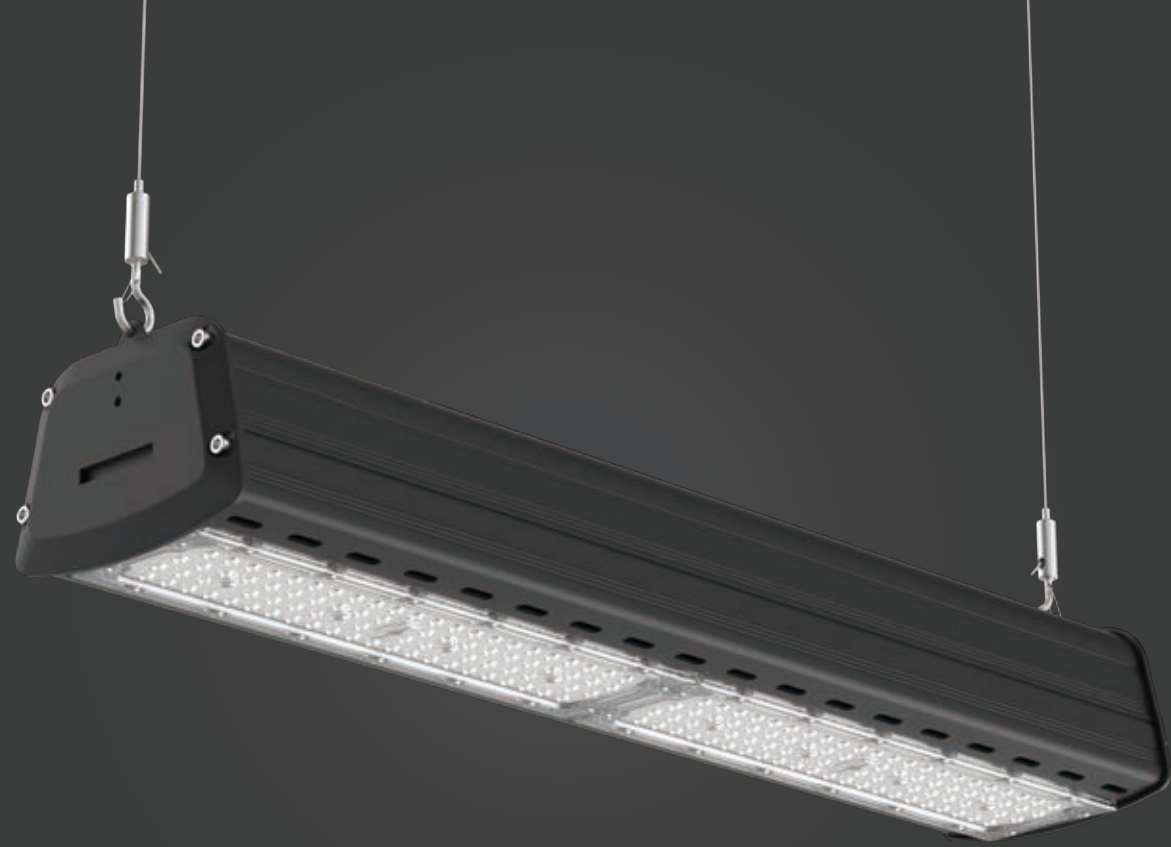


IP65 Linear Highbay Light

100W / 150W / 200W / 300W

P series linear high bay is designed not only for warehouse, aisle but also for other application which need high bay lighting With high output LEDs and high transmittance lens, fixture can reach 130LPW; IP65 level, P series linear high bay is suitable for wet and dry location; 40°,60°,90°,40*120°,30*70°for different applications; With modular design,can be specified in two modules 100W, three modules 150W,four modules 200W,six modules 300W.





IP65 waterproof

The silicone sealing strip forms full waterproof structure with mechanical fixing, the waterproof effect is long, safe and reliable with grade IP65.

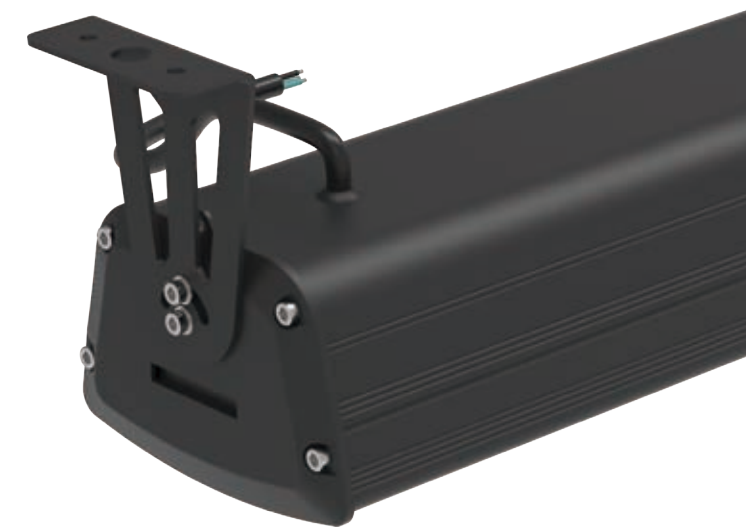
High lighting effect

High lighting effect of LEDs up to 130LPW



Integral radiator

Aluminum profile integral radiator, outdoor powder spraying, reliable structure, corrosion and wearing resistance.



Light transmittance >90%

The lens adopts optical grade anti-UV PC materials with light transmittance reaches above 90%. The lens receives atomization and bead surface treatment and can prevent glare effectively.



Modular design

With modular design, can be specified in two modules 100W, three modules 150W, four modules 200W, six modules 300W.



Two modules 100W 2FT



Three modules 150W 3FT



Four modules 200W 4FT



Six modules 300W 3FT

Multiple options

Dimming series: microwave motion sensor and PIR motion sensor are optional.



L-shape bracket



Wire sling



PIR sensor



Microwave sensor



Remote controller

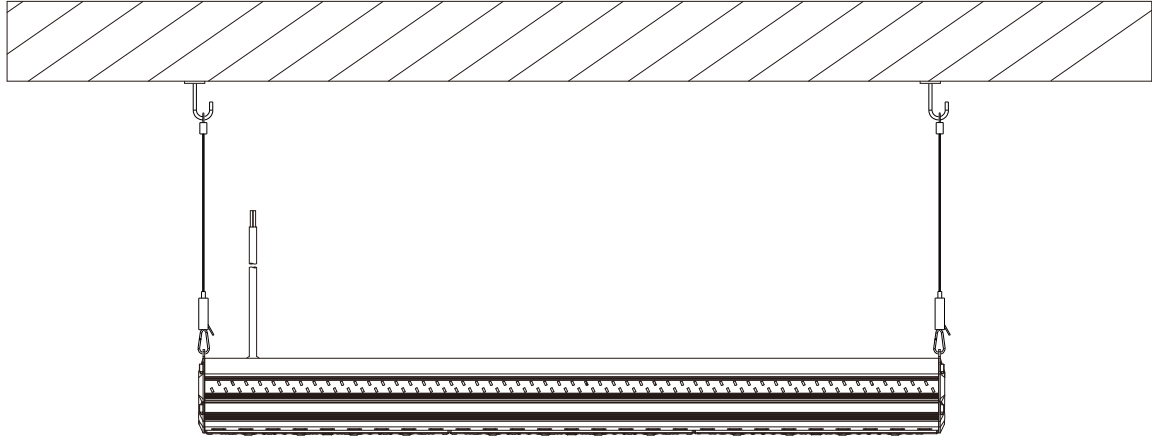


Application

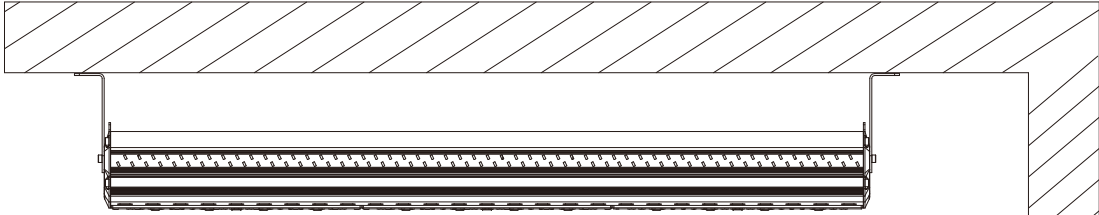
Suitable for large workshop, airport, warehouse, parking lot, basement, gymnasium ect.

Installation

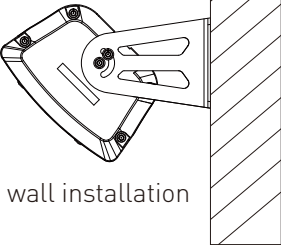
Multiple installation methods for option: Pendant chain installation ; L-shape rotating bracket ceiling or wall installation.



Pendant chain installation



L-shape rotating bracket ceiling installation



wall installation

Parameters CE for EU



Product name	CCT	Lumen(lm)	Beam angle(°)	LEDs type	CRI	PF	Power(W)	Voltage
IP65 LHB 100W (2FT)	● 5500-6500K	13000	90°/60°/40°	SMD2835	Ra>80	>0.9	100W	120-277VAC 50/60Hz
	● 3800-4300K	12600	40° 120°					
	● 2700-3200K	12000	30° 70°					
IP65 LHB 150W (3FT)	● 5500-6500K	19500	90°/60°/40°	SMD2835	Ra>80	>0.9	150W	120-277VAC 50/60Hz
	● 3800-4300K	19000	40° 120°					
	● 2700-3200K	18000	30° 70°					
IP65 LHB 200W (4FT)	● 5500-6500K	26000	90°/60°/40°	SMD2835	Ra>80	>0.9	200W	120-277VAC 50/60Hz
	● 3800-4300K	25200	40° 120°					
	● 2700-3200K	24000	30° 70°					
IP65 LHB 300W (3FT)	● 5500-6500K	39000	90°/60°/40°	SMD2835	Ra>80	>0.9	300W	120-277VAC 50/60Hz
	● 3800-4300K	37800	40° 120°					
	● 2700-3200K	36000	30° 70°					

Package

Size	Power	Carton size	Pack Quantity	Net weight	Gross weight (+suspendent chain)	Gross weight (+L-shape bracket)
2FT	100W	605*360*300mm 23.82*11.17*11.81inch	4 pcs	2.5 kg 5.51 lb	11.0 kg 24.25 lb	11.5 kg 25.35 lb
	100W		4 pcs			
3FT	150W	855*360*300mm 33.66*11.17*11.81inch	4 pcs	3.5 kg 7.72 lb	15.0 kg 33.07 lb	15.5 kg 34.17 lb
	150W		4 pcs			
4FT	200W	1110*360*300mm 43.7*11.17*11.81inch	4 pcs	4.1 kg 9.04 lb	17.5 kg 38.58 lb	18.0 kg 39.68 lb
	240W		4 pcs			
3FT	300W	865*330*310mm 34.06*12.99*12.2inch	2 pcs	7.0 kg 15.431lb	15.0 kg 33.07 lb	15.5 kg 34.17 lb
	300W		2 pcs			



Tri-proof Light

The LED tri-proof light is designed for places requiring waterproof, dustproof and slight corrosion-resistant lighting, such as warehouse, parking lot, food factory, dust factory, cold storage, etc.

- CE TPS Series | P93-98
- UL CE TPB Series | P99-104
- CE TPF Series | P105-110
- CE TPA Series | P111-116
- CE KII Series | P117-122
- CE C Series | P123-128
- CE I Series | P129-134

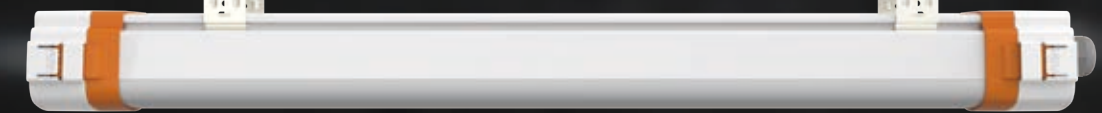


TPS Series

18W / 36W / 50W / 65W

Sustainable version tri-proof is a modular design, openable and sustainable luminaire, so that we could benefit by more possibilities, easier maintenance, and less CO2 emission.

TPS series tri-proof light is designed for application sites where waterproof, dustproof and mild corrosion prevention lighting is required such as warehouse, parking lots, foodstuffs factory, dust plant and other sites.



Tool free installation

The end cover and lamp body can be quickly disassembled without tools.
Easy to wire.



Modular design

Lamp body, power supply, PCB, plug and play sensor.
Easy to replace and maintain each part.

Compliant with ERP standard

It is more in line with the new ERP requirements.



Easy to wire

The end cover and lamp body can be quickly disassembled without tools. 3*2.5mm² / 6*2.5mm² wires can be connected in series.



Power & CCT adjustable

With Dip switch, it is easy to select.

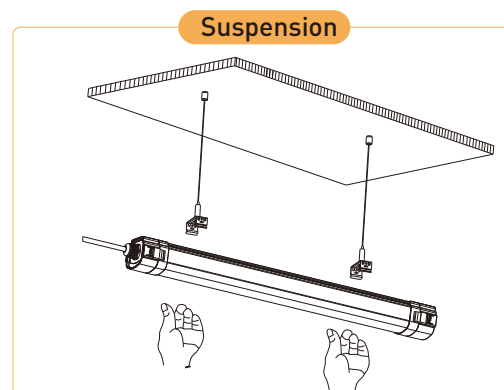
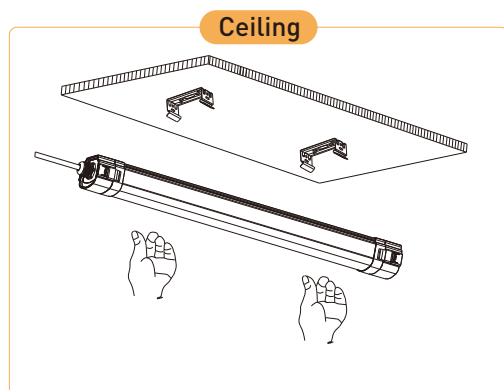


Eco-friendly lighting

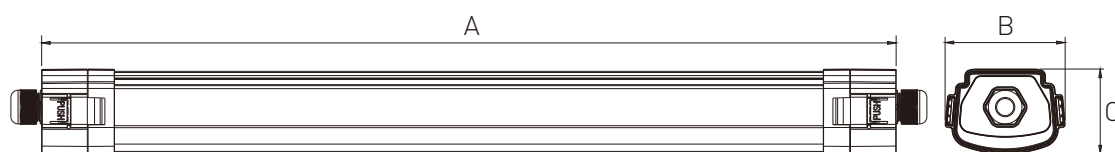
The lamp housing can be reused.
Recycle rate >80%. Can be easily recycled at the end of its lifespan.

Installation

Two installation modes for selection: ceiling holder and suspension rope.



Dimension



Power	18W	36W	50W/65W
A	600mm	1200mm	1500mm
B	84mm	84mm	84mm
C	59mm	59mm	59mm

Parameters



CE RoHS 220-240VAC IK08 IP65 CRI>80 PF>0.9 Beam angle 120° 5 YEARS Warranty

Product name	CCT	Lumen(lm)	Beam angle[°]	LEDs type	CRI	PF	Power(W)	Voltage
TPS 18W	5500-6500K	2340	120°	SMD2835	Ra>80	>0.9	18W	AC220-240V 50/60Hz
	4700-5300K	2350						
	3800-4200K	2345						
	2700-3200K	2130						
TPS 36W	5500-6500K	4680	120°	SMD2835	Ra>80	>0.9	36W	AC220-240V 50/60Hz
	4700-5300K	4685						
	3800-4200K	4690						
	2700-3200K	4260						
TPS 50W	5500-6500K	6500	120°	SMD2835	Ra>80	>0.9	50W	AC220-240V 50/60Hz
	4700-5300K	6520						
	3800-4200K	6550						
	2700-3200K	5910						
TPS 65W	5500-6500K	8400	120°	SMD2835	Ra>80	>0.9	65W	AC220-240V 50/60Hz
	4700-5300K	8450						
	3800-4200K	8460						
	2700-3200K	7680						

Package

Size	Inner packing size	Carton size	Pack Quantity	Net weight	Gross weight
0.6M 18W	645*95*70mm	660*300*230mm	9 pcs	0.6 kg	0.9 kg
1.2M 36W	1245*95*70mm	1260*300*230mm	9 pcs	1.0 kg	1.5 kg
1.5M 50W/65W	1545*95*70mm	1560*300*230mm	9 pcs	1.3 kg	1.9 kg



TPB Series

18W / 36W / 50W / 70W

TPB series tri-proof light is a modular designed, highly durable, robust water-proof and dustproof light. With a uniform light distribution designed for industrial applications. The flexible rust and corrosion free mounting clamps for wall / ceiling provides very easy installation. This modern and efficient tri-proof light is the ideal lighting solution for factories and production areas, parking lots, corridors, hallways, warehouses and storage rooms, stairways etc.



Fast lock design, Snap-in structure, tool free installation

High transparent cover, high lighting effect, giving out even and soft light.
100LM /W and 130LM /W for selection





High light efficiency

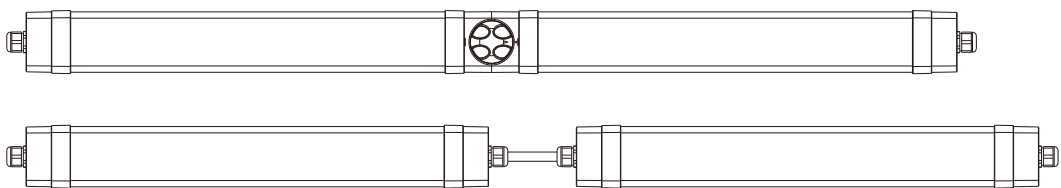
100LPW and 130LPW for selection.

Plug & play sensors modules

Easy & flexible installation, can be installed wherever needed.

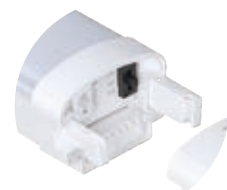
Modular design

Single installation, cable connection & seamless connection optional.



Fast lock design

Snap-in structure, tool free installation.



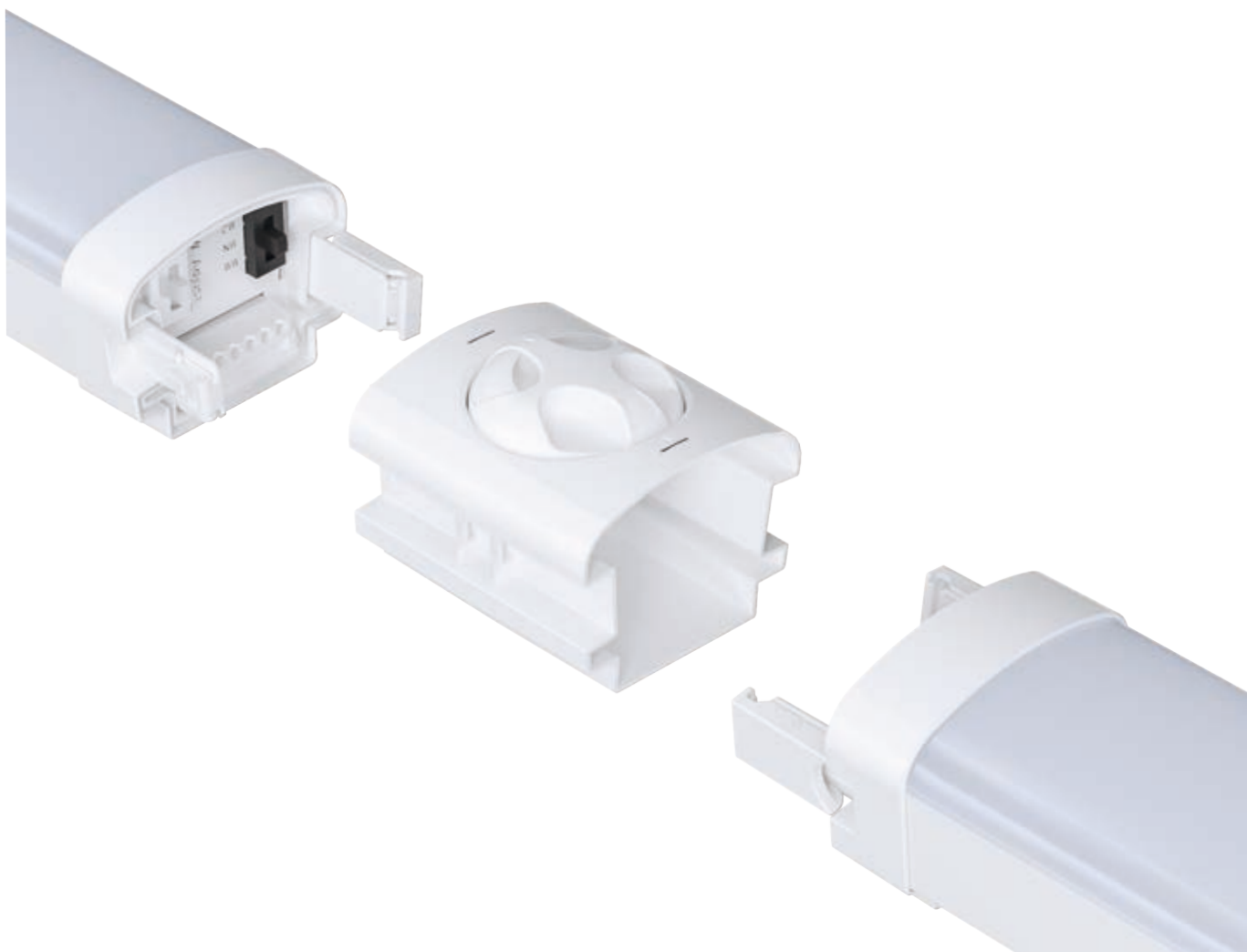
Tool free installation

End cap can be opened by hand. 10s to complete the installation.



CCT & power tunable

3000K-4000K-5000K/6000K. DALI dimming.





Parameters



Ordinary series

Product name	CCT	Lumen(lm)	Beam angle(°)	LEDs type	CRI	PF	Power(W)	Voltage
TPB 18W	● 5500-6500K	1800	120°	SMD2835	Ra>80	>0.9	18W	AC120-277V 50/60Hz
	● 4700-5300K	1800						
	● 3800-4200K	1780						
	● 2700-3200K	1740						
	● 30K-40K-60K	1800						
TPB 36W	● 5500-6500K	3600	120°	SMD2835	Ra>80	>0.9	36W	AC120-277V 50/60Hz
	● 4700-5300K	3600						
	● 3800-4200K	3520						
	● 2700-3200K	3240						
	● 30K-40K-60K	3520						
TPB 50W	● 5500-6500K	5000	120°	SMD2835	Ra>80	>0.9	50W	AC120-277V 50/60Hz
	● 4700-5300K	5000						
	● 3800-4200K	4900						
	● 2700-3200K	4500						
	● 30K-40K-60K	4900						

Highbright series

Product name	CCT	Lumen(lm)	Beam angle(°)	LEDs type	CRI	PF	Power(W)	Voltage
TPB 18W	● 5500-6500K	2350	120°	SMD2835	Ra>80	>0.9	18W	AC120-277V 50/60Hz
	● 4700-5300K	2350						
	● 3800-4200K	2340						
	● 2700-3200K	2310						
	● 30K-40K-60K	2350						
TPB 36W	● 5500-6500K	4680	120°	SMD2835	Ra>80	>0.9	36W	AC120-277V 50/60Hz
	● 4700-5300K	4680						
	● 3800-4200K	4600						
	● 2700-3200K	4320						
	● 30K-40K-60K	4600						
TPB 50W	● 5500-6500K	6500	120°	SMD2835	Ra>80	>0.9	50W	AC120-277V 50/60Hz
	● 4700-5300K	6500						
	● 3800-4200K	6400						
	● 2700-3200K	6000						
	● 30K-40K-60K	6400						
TPB 70W	● 5500-6500K	9100	120°	SMD2835	Ra>80	>0.9	70W	AC120-277V 50/60Hz
	● 4700-5300K	9100						
	● 3800-4200K	9050						
	● 2700-3200K	8960						
	● 30K-40K-60K	9100						



TPF Series

18W / 36W / 50W

TPF is good for anti UV & Ammonia, and high protection IP69K & IK08 is suitable for multiple industrial and agricultural applications. Designed for applications where water jets are under high pressure and high temperature are used for specific wash-downs. This will also include special sensitization and chemical cleaning.



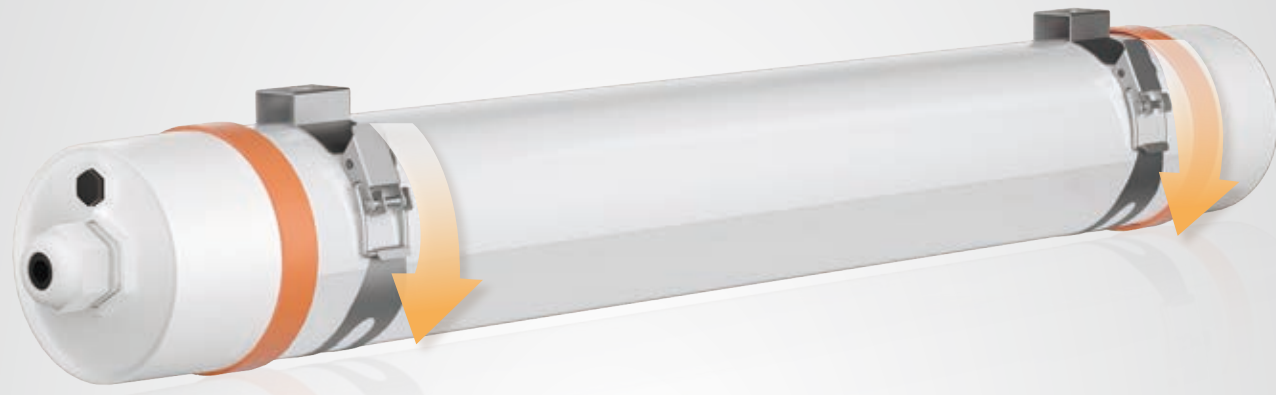
IP69K/IP67

High light transmission modified PMMA shell, resistant to corrosive gases such as ammonia and chlorine. High protection and anti-corrosion rating, IK08, IP67 & IP69K.



Snap-on hoop installation

Stainless steel snap-on hoop installation, corrosion resistance, simple construction and reliable installation.



PMMA lamp body

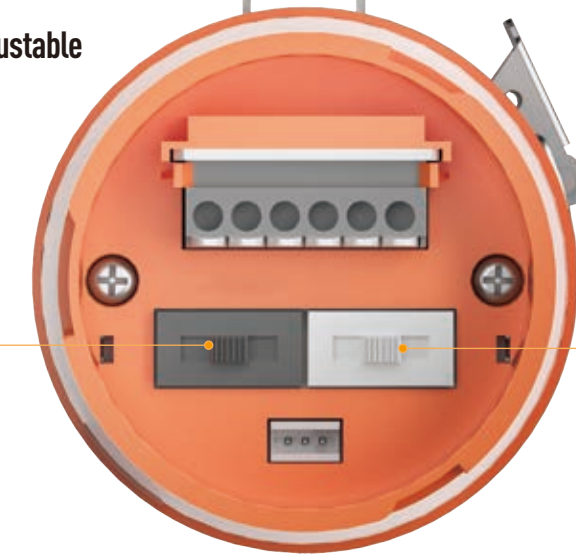
The best lighting solution for food processing, farm, car washing applications.

Tool-free lid opening

Easy wiring and adjusting of color temperature and power.



CCT adjustable



Power adjustable

Power & CCT adjustable

With Dip switch, it is easy to select.

Plug & play sensors

The sensor adopts Plug & play design for easy installation.

Easy to wire

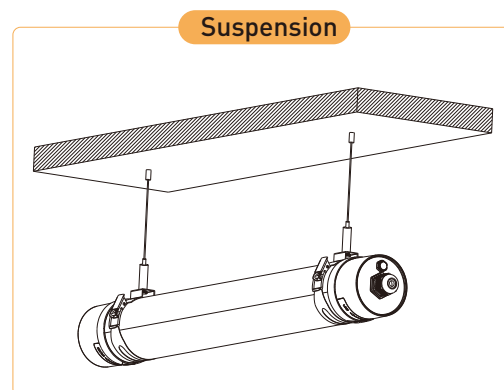
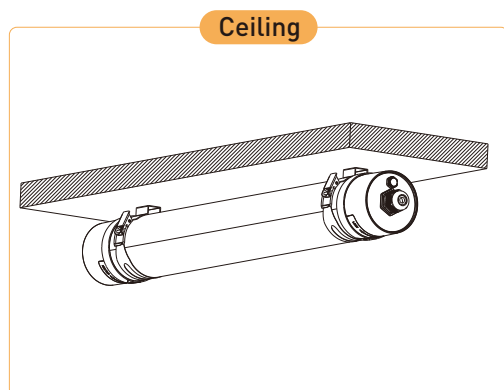
With press type terminals, wiring is performed without use of tools.

Connection

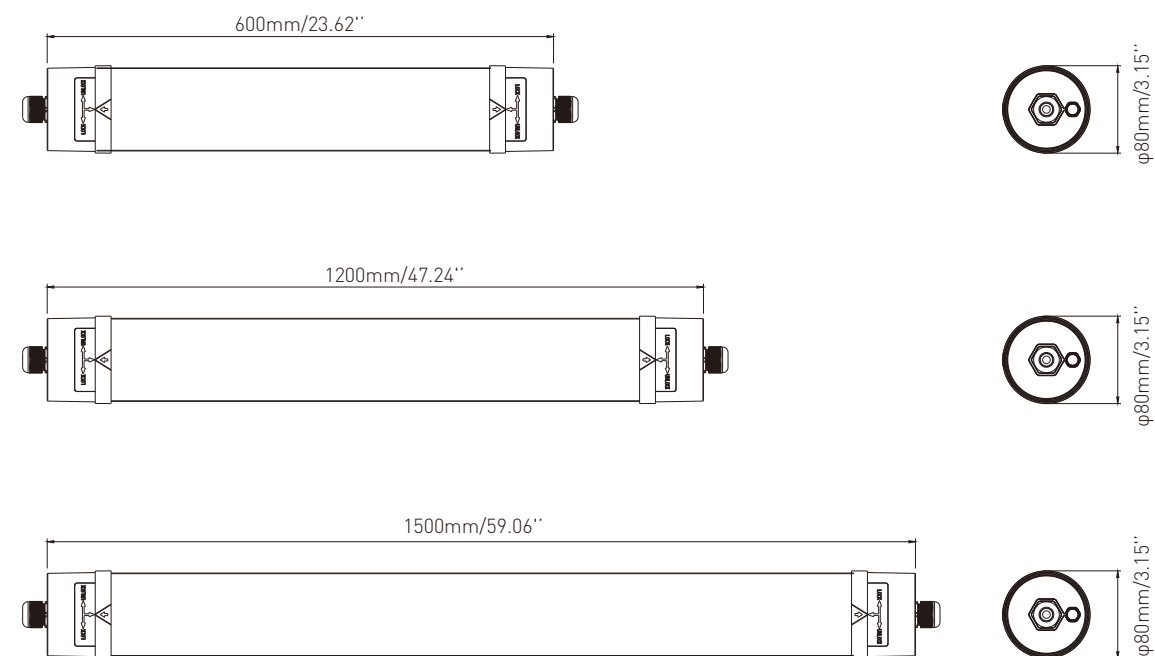
3 or 5 wires are connected in and out, which is convenient for series connection and reduces the installation cost.

Installation

Two installation modes for selection: ceiling holder and suspension rope.



Dimension



Parameters



Ordinary series

Product name	CCT	Lumen(lm)	Beam angle(°)	LEDs type	CRI	PF	Power(W)	Voltage
TPF 18W (2FT)	5500-6500K	2700	120°	SMD2835	Ra>80	>0.9	18W	AC220-240V 50/60Hz
	3800-4200K	2670						
	2700-3200K	2450						
TPF 36W (4FT)	5500-6500K	5400	120°	SMD2835	Ra>80	>0.9	36W	AC220-240V 50/60Hz
	3800-4200K	5360						
	2700-3200K	4950						
TPF 50W (5FT)	5500-6500K	7540	120°	SMD2835	Ra>80	>0.9	50W	AC220-240V 50/60Hz
	3800-4200K	7500						
	2700-3200K	6850						

Package

Power	Inner packing size	Carton size	Pack Quantity	Net weight	Gross weight
18W	690*100*100mm 27.17*3.94*3.94inch	690*420*325mm 27.17*16.54*12.80inch	12 pcs 12 pcs	1.12 kg 2.47 lb	14.5 kg 31.97 lb
36W	1290*100*100mm 50.79*3.94*3.94inch	1290*320*325mm 50.79*12.60*12.80inch	9 pcs 9 pcs	1.60kg 3.53 lb	16.0 kg 35.27 lb
50W	1590*100*100mm 62.60*3.94*3.94inch	1590*320*325mm 62.60*12.60*12.80inch	9 pcs 9 pcs	1.95 kg 4.30 lb	19.0 kg 41.89 lb

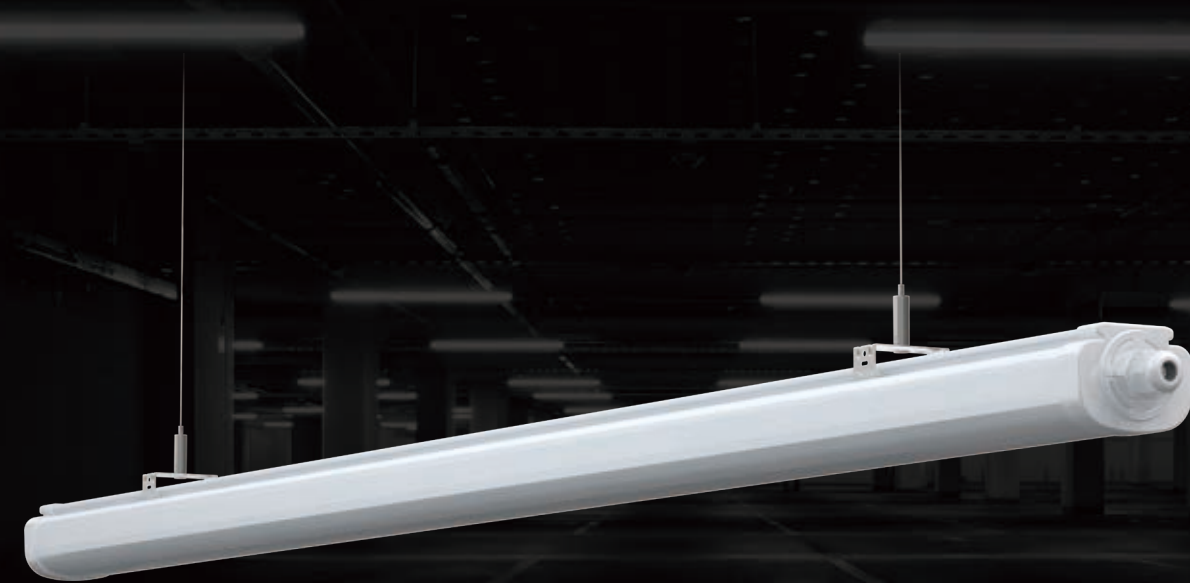




TPA Series

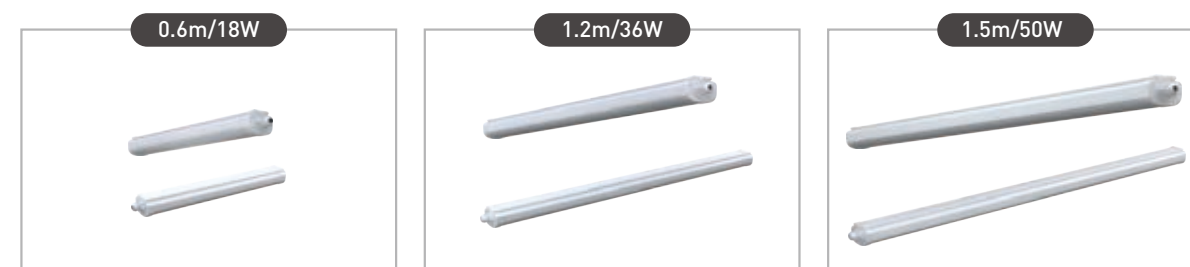
18W / 36W / 50W

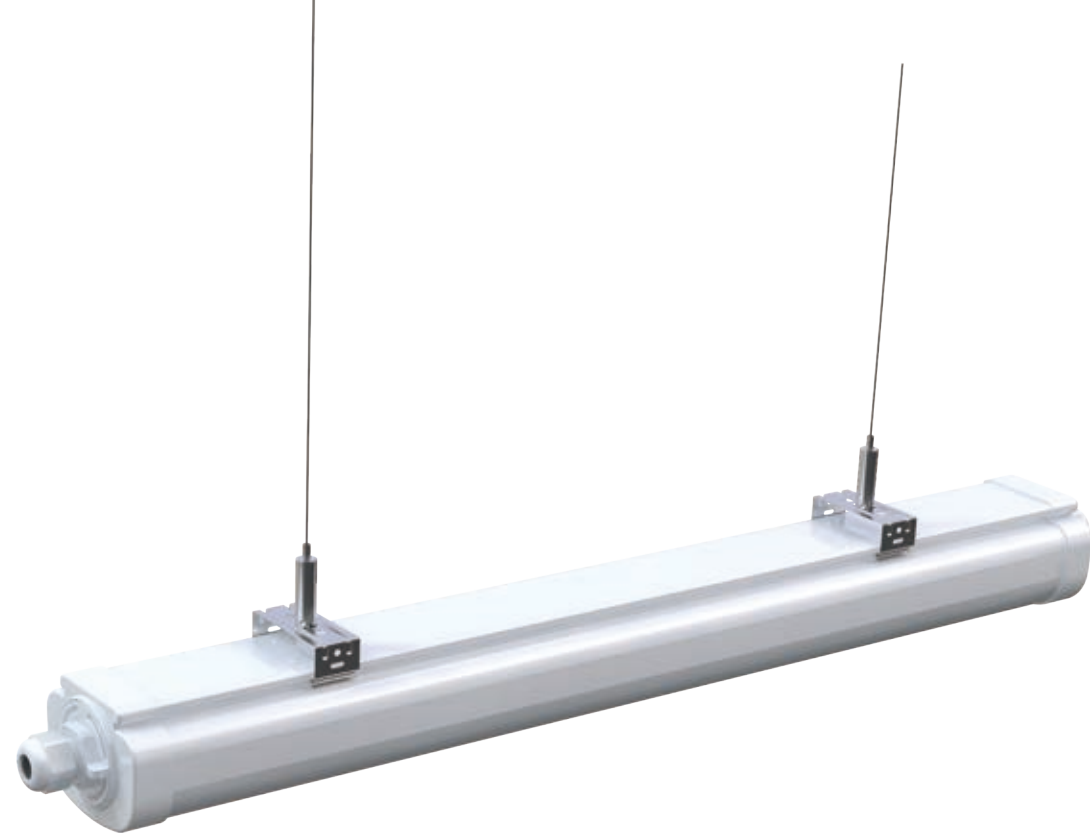
TPA series tri-proof light is designed for application sites where waterproof, dustproof and mild corrosion prevention lighting is required such as warehouse, parking lots, foodstuffs factory, dust plant and other sites. The main body and end cover adopts PC materials. With high temperature, the product may be used in application environment with mild corrosion prevention. It is superior to common tri-proof lamps. The optical-electric separation design makes the LED service life reach 60,000 hours.



**Optical-electric separation design,
life reach 60,000 hours**

High transparent cover, high lighting effect, giving out even and soft light.
100LM /W and 130LM /W for selection





Easy installation

The rotary end cover facilitates to open for wiring and saves more than half of the installation time.



Simple toolless wiring

With press type terminals, wiring is performed without use of tools.



No buckles design

No buckles, beautiful appearance.



High light efficiency

High transparent cover, high lighting effect, giving out even and soft light. 100LPW and 130LPW for selection.

IK08, high impact resistance

PC materials for the whole lamp, high impact resistance, IK08.

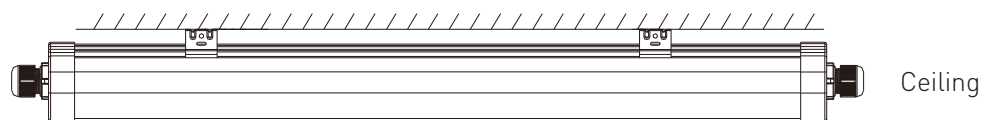
IP65 waterproof rating

Extrusion design for the lamp body, higher waterproof performance, IP65.

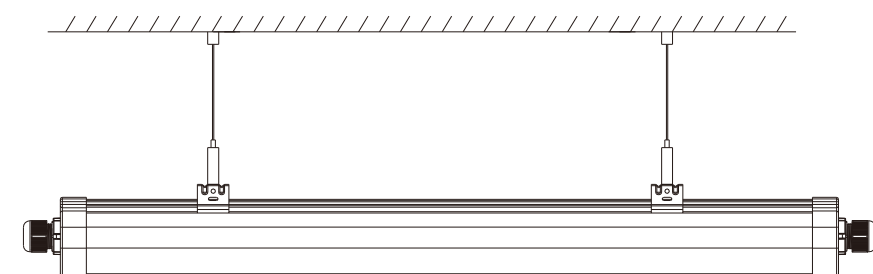


Installation

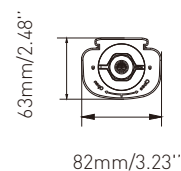
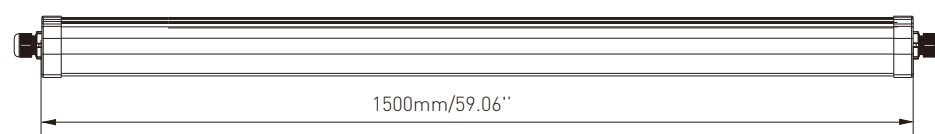
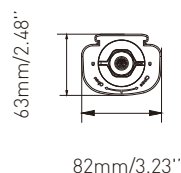
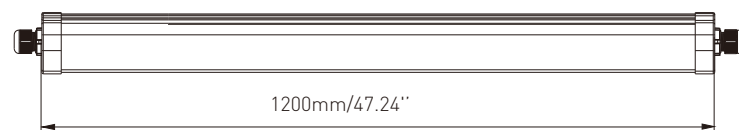
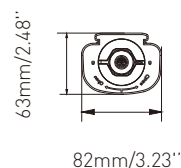
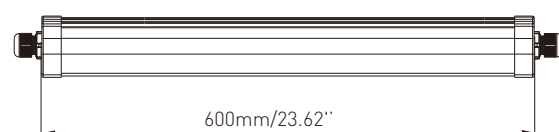
Two installation modes for selection:
ceiling holder and suspension rope.



Ceiling



Suspension



Parameters



Ordinary series

Product name	CCT	Lumen(lm)	Beam angle(°)	LEDs type	CRI	PF	Power(W)	Voltage
TPA 18W (2FT)	5500-6500K	1800	120°	SMD2835	Ra>80	>0.9	18W	AC220-240V 50/60Hz
	4700-5300K	1800						
	3800-4200K	1750						
	2700-3200K	1620						
TPA 36W (4FT)	5500-6500K	3600	120°	SMD2835	Ra>80	>0.9	36W	AC220-240V 50/60Hz
	4700-5300K	3600						
	3800-4200K	3520						
	2700-3200K	3240						
TPA 50W (5FT)	5500-6500K	5000	120°	SMD2835	Ra>80	>0.9	50W	AC220-240V 50/60Hz
	4700-5300K	5000						
	3800-4200K	4900						
	2700-3200K	4500						

Highbright series

Product name	CCT	Lumen(lm)	Beam angle(°)	LEDs type	CRI	PF	Power(W)	Voltage
TPA 18W (2FT)	5500-6500K	2340	120°	SMD2835	Ra>80	>0.9	18W	AC220-240V 50/60Hz
	4700-5300K	2340						
	3800-4200K	2300						
	2700-3200K	2160						
TPA 36W (4FT)	5500-6500K	4680	120°	SMD2835	Ra>80	>0.9	36W	AC220-240V 50/60Hz
	4700-5300K	4680						
	3800-4200K	4600						
	2700-3200K	4320						
TPA 50W (5FT)	5500-6500K	6500	120°	SMD2835	Ra>80	>0.9	50W	AC220-240V 50/60Hz
	4700-5300K	6500						
	3800-4200K	6400						
	2700-3200K	6000						

Package

Size	Inner packing size	Carton size	Pack Quantity	Net weight	Gross weight
0.6M/2FT 18W	645*95*70mm 25.39*3.74*2.76inch	660*300*230mm 25.98*11.81*9.06inch	9 pcs 9 pcs	0.6 kg 1.32 lb	0.9 kg 1.98 lb
1.2M/4FT 36W	1245*95*70mm 49.02*3.74*2.76inch	1260*300*230mm 49.61*11.81*9.06inch	9 pcs 9 pcs	1.0 kg 2.2 lb	1.5 kg 3.3 lb
1.5M/5FT 50W	1545*95*70mm 60.83*3.74*2.76inch	1560*300*230mm 61.42*11.81*9.06inch	9 pcs 9 pcs	1.3 kg 2.87 lb	1.9 kg 4.19 lb



KII Series

18W / 36W / 50W

KII series tri-proof light is designed for lighting application sites where waterproof, dustproof and mild corrosion prevention is required such as warehouse, parking lots, foodstuffs factory, dust plant and refrigeratory and other sites. The main body and end cover adopt PC materials. With high temperature, the product may be used in application environment with mild corrosion prevention. It is superior to common tri-proof light.

It is superior to common tri-proof lamps

High transparent cover, high lighting effect, giving out even and soft light.
100LM /W and 120LM /W for selection



0.6m/18W



1.2m/36W



1.5m/50W





High light efficiency

High transparent cover, high lighting effect, giving out even and soft light. 100LPW and 120LPW for selection.

DOB design

DOB design, more stable and long life-span.

IP65 waterproof rating

Extrusion design for the lamp body, higher waterproof performance, IP65.



Easy installation

The rotary end cover facilitates to open for wiring and saves more than half of the installation time.



Simple toolless wiring

With press type terminals, wiring is performed without use of tools.



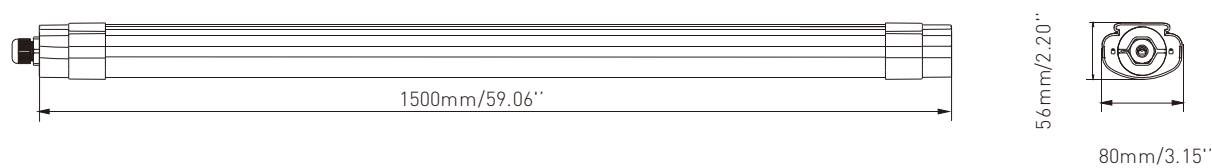
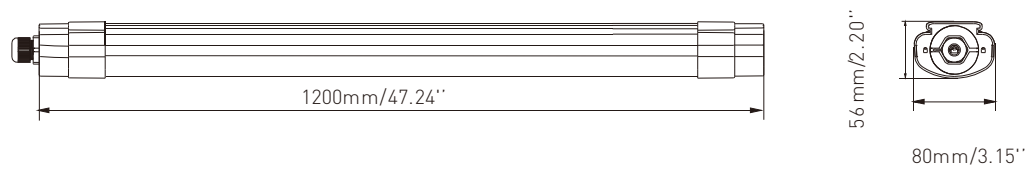
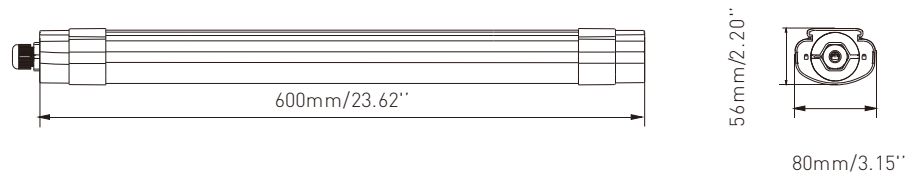
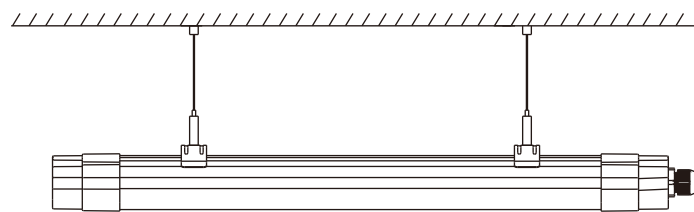
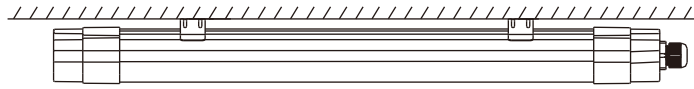
No buckles design

No buckles, beautiful appearance.



Installation

Two installation modes for selection:
ceiling holder and suspension rope.



Parameters



Ordinary series

Product name	CCT	Lumen(lm)	Beam angle(°)	LEDs type	CRI	PF	Power(W)	Voltage
KII 18W	● 5500-6500K	1850	120°	SMD2835	Ra>80	>0.9	18W	AC220-240V 50/60Hz
	● 3800-4200K	1840						
	● 2700-3200K	1800						
KII 36W	● 5500-6500K	3630	120°	SMD2835	Ra>80	>0.9	36W	AC220-240V 50/60Hz
	● 3800-4200K	3620						
	● 2700-3200K	3600						
KII 50W	● 5500-6500K	5060	120°	SMD2835	Ra>80	>0.9	50W	AC220-240V 50/60Hz
	● 3800-4200K	5050						
	● 2700-3200K	5030						

Highbright series

Product name	CCT	Lumen(lm)	Beam angle(°)	LEDs type	CRI	PF	Power(W)	Voltage
KII 18W	● 5500-6500K	2160	120°	SMD2835	Ra>80	>0.9	18W	AC220-240V 50/60Hz
	● 3800-4200K	2124						
	● 2800-3200K	2016						
KII 36W	● 5500-6500K	4320	120°	SMD2835	Ra>80	>0.9	36W	AC220-240V 50/60Hz
	● 3800-4200K	4248						
	● 2800-3200K	4032						
KII 50W	● 5500-6500K	6000	120°	SMD2835	Ra>80	>0.9	50W	AC220-240V 50/60Hz
	● 3800-4200K	5900						
	● 2800-3200K	5600						

Package

Power	Inner packing size	Carton size	Pack Quantity	Net weight	Gross weight
18W	645*95*70mm 25.39*3.74*2.76inch	660*300*230mm 25.98*11.81*9.06inch	9 pcs 9 pcs	0.4 kg 0.88 lb	0.7 kg 1.54 lb
36W	1245*95*70mm 49.02*3.74*2.76inch	1260*300*230mm 49.61*11.81*9.06inch	9 pcs 9 pcs	0.7 kg 1.54 lb	1.1 kg 2.43 lb
50W	1545*95*70mm 60.83*3.74*2.76inch	1560*300*230mm 61.42*11.81*9.06inch	9 pcs 9 pcs	0.8 kg 1.76 lb	1.3 kg 2.87 lb



C Series

20W / 40W / 50W

C series tri-proof light is designed for places requiring waterproof, dustproof and slight corrosion-resistant lighting, such as warehouse, parking lot, food factory, dust factory, cold storage, etc. It can be used in places requiring corrosion-resistant lighting, while common tri-proof light cannot reach this requirement. Photoelectric separation design and LED lifespan is up to 50,000 hours.



Integrated design, more convenient for wiring

PCB and cover integrated design, 3 steps can finish installation.
100LPW and 130LPW optional.



0.6m/20W

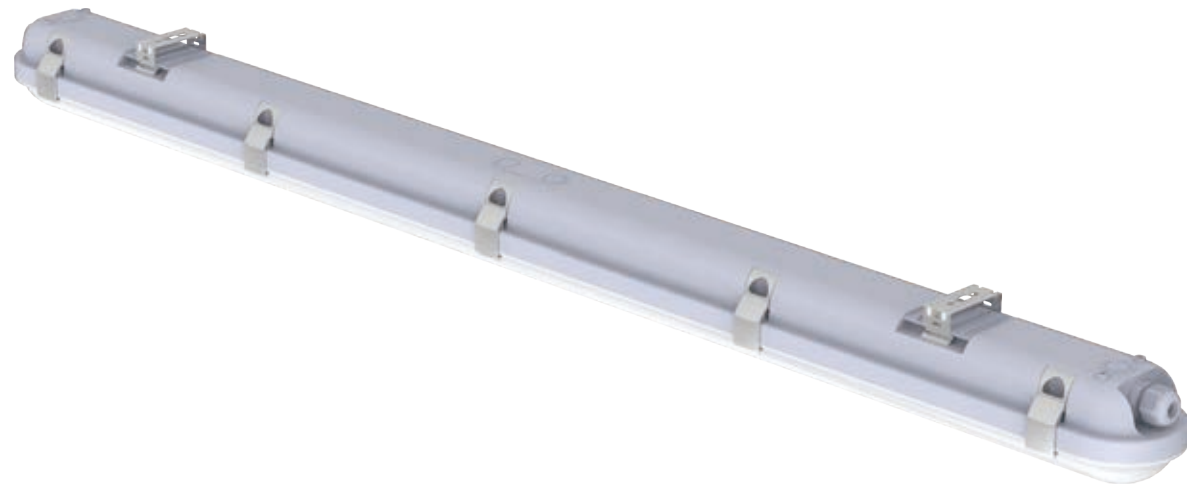


1.2m/40W



1.5m/50W





Quick installation

Integrated design of the lampshade and the fixing plate of lamp panel makes it more convenient for wiring, saving more than half of the installation time.

Effective heat dissipation

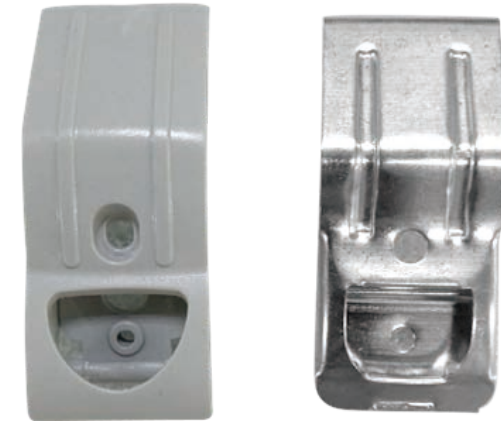
Photoelectric separation for effective heat dissipation.

High luminous efficacy

High-light-transmittance cover, high luminous efficacy, uniform and soft light, 100LPW and 130LPW optional.

Buckle optional

Metal and plastic clips optional.



IP65 waterproof

Excellent waterproof performance, IP65.

Shockproof design

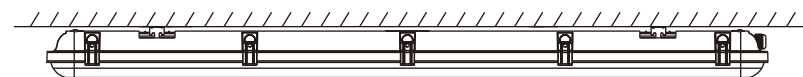
The reserved screw holes in clamp are for shockproof.

Emergency power supply

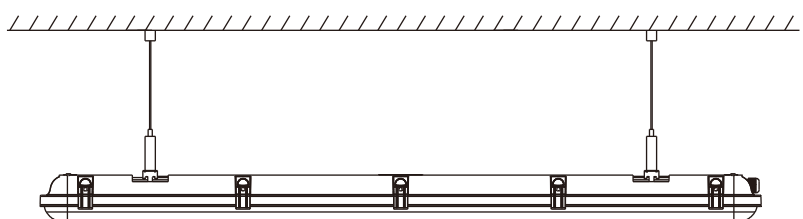
The lamp is equipped with emergency power supply, when power failure, the lamp can continue to work 3 hours at 6w(0.6m), 12w(1.2m, 1.5m) brightness, charging time 24 hours.

Installation

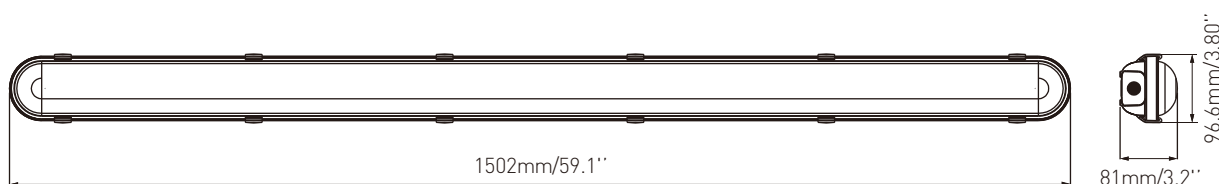
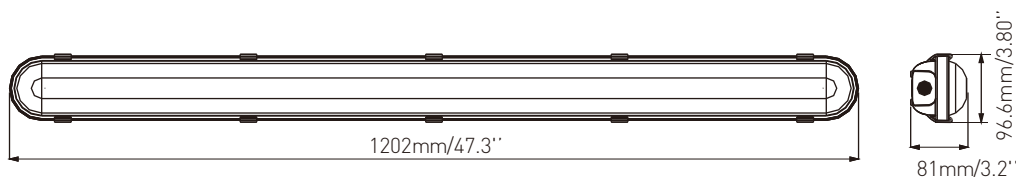
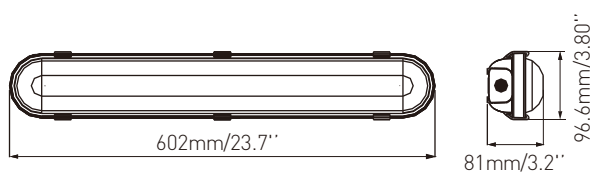
Two installation modes for selection: ceiling holder and suspension rope.



Ceiling



Suspension



Parameters



Ordinary series

Product name	CCT	Lumen(lm)	Beam angle(°)	LEDs type	CRI	PF	Power(W)	Voltage
C 20W (2FT)	5500-6500K	2040	120°	SMD2835	Ra>80	>0.9	20W	AC220-240V 50/60Hz
	3800-4200K	2000						
	2700-3200K	1860						
C 40W (4FT)	5500-6500K	4040	120°	SMD2835	Ra>80	>0.9	40W	AC220-240V 50/60Hz
	3800-4200K	3960						
	2700-3200K	3760						
C 50W (5FT)	5500-6500K	5110	120°	SMD2835	Ra>80	>0.9	50W	AC220-240V 50/60Hz
	3800-4200K	5060						
	2700-3200K	4720						

Highbright series

Product name	CCT	Lumen(lm)	Beam angle(°)	LEDs type	CRI	PF	Power(W)	Voltage
C 20W (2FT)	5500-6500K	2600	120°	SMD2835	Ra>80	>0.9	20W	AC220-240V 50/60Hz
	3800-4200K	2580						
	2700-3200K	2300						
C 40W (4FT)	5500-6500K	5160	120°	SMD2835	Ra>80	>0.9	40W	AC220-240V 50/60Hz
	3800-4200K	5120						
	2700-3200K	4720						
C 50W (5FT)	5500-6500K	6550	120°	SMD2835	Ra>80	>0.9	50W	AC220-240V 50/60Hz
	3800-4200K	6360						
	2700-3200K	5800						

Package

Size	Inner packing size	Carton size	Pack Quantity	Net weight	Gross weight
0.6M/2FT 20W	620*110*90mm 24.41*4.33*3.54inch	640*460*290mm 25.2*18.11*11.42inch	12 pcs 12 pcs	0.6 kg 1.32 lb	0.9 kg 1.98 lb
1.2M/4FT 40W	1220*110*90mm 48.03*4.33*3.54inch	1240*350*200mm 48.82*13.78*7.87inch	6 pcs 6 pcs	1.0 kg 2.2 lb	1.3 kg 2.87 lb
1.5M/5FT 50W	1520*110*90mm 59.84*4.33*3.54inch	1540*350*200mm 60.63*13.78*7.87inch	6 pcs 6 pcs	1.2 kg 2.65 lb	1.5 kg 3.31 lb



I Series

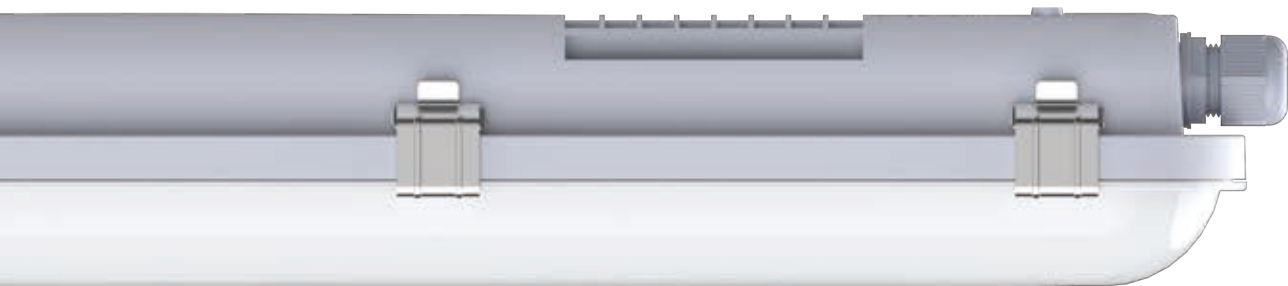
18W / 36W / 50W

This product adopts high-efficiency LED light source, arc frosted lampshade, soft light, large angle of light; simple appearance, waterproof and dustproof grade up to IP65; the main material used is imported material PC, which can ensure the safe, reliable and stable operation of the product in various environments.

Integrated design

The upper cover and lamp board are integrated design, the mounting bracket has a longer sliding distance for easy installation.





Uniform light emission

Arc-shaped light-emitting cover, large angle, making the light even and soft.

Higher light efficiency

Beam angle above 120°, 100LPW, 130LPW, 150LPW are optional, higher light efficiency requirements can be customized.

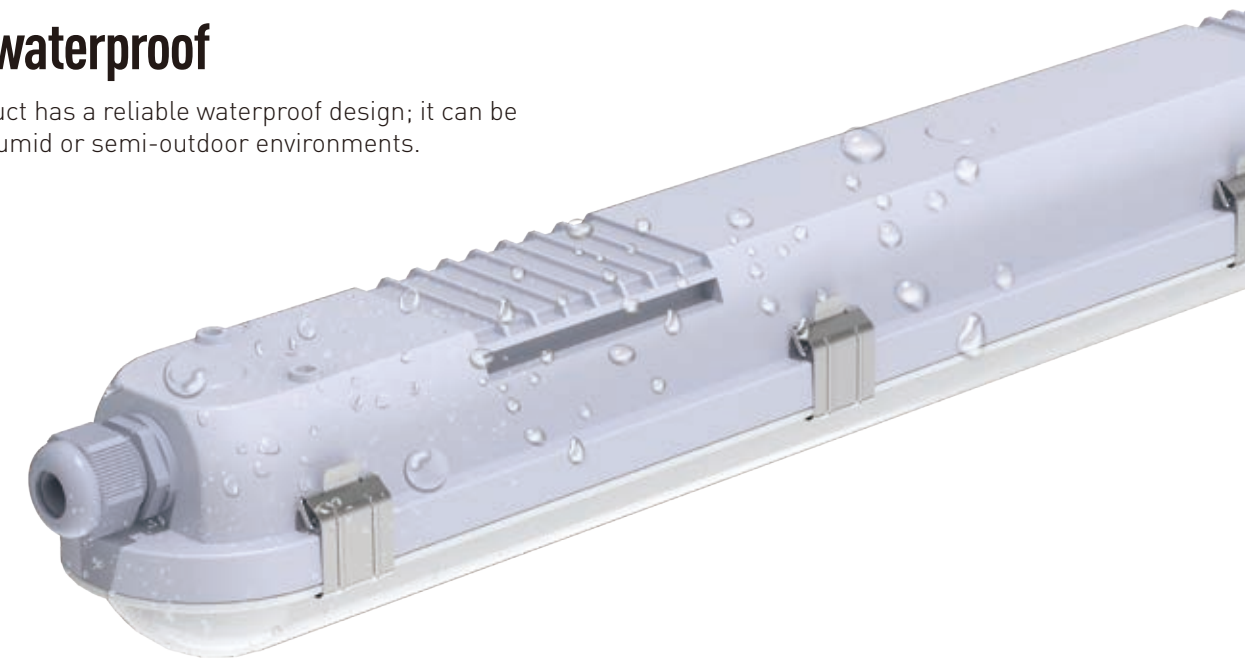
Multiple functions are optional

Inductio series, DALI series, Emergency series, CCT tunable are optional.



IP65 waterproof

The product has a reliable waterproof design; it can be used in humid or semi-outdoor environments.



SUS304 Metal buckle

SUS304 Metal buckle, corrosion resistant

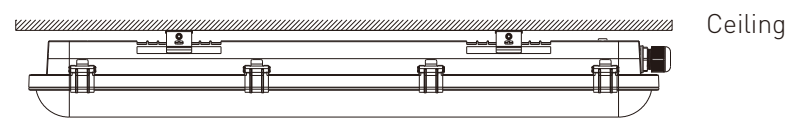
Good impact resistance

PC All-plastic shell design, UL-94V0 Grade PC, IK08

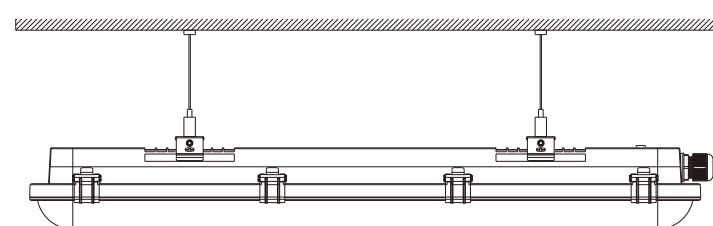


Installation

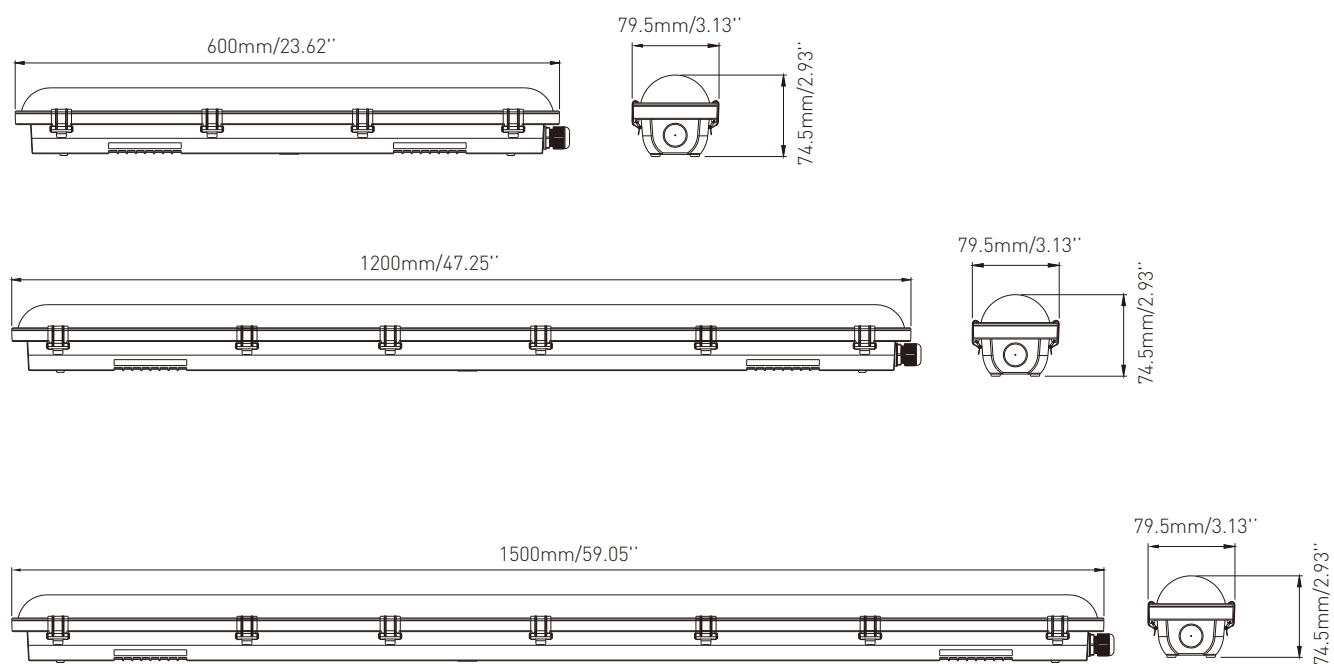
Two installation modes for selection: ceiling holder and suspension rope.



Ceiling



Suspension



Parameters



CE RoHS 220-240VAC IK08 IP65 CRI>80 PF>0.9 Beam angle 120° 5 YEARS WARRANTY

Ordinary series

Product name	CCT	Lumen(lm)	Beam angle(°)	LEDs type	CRI	PF	Power(W)	Voltage
1.18W (2FT)	5500-6500K	1850	120°	SMD2835	Ra>80	>0.9	18W	AC220-240V 50/60Hz
	3800-4200K	1870						
	2700-3200K	1670						
1.36W (4FT)	5500-6500K	3870	120°	SMD2835	Ra>80	>0.9	36W	AC220-240V 50/60Hz
	3800-4200K	4000						
	2700-3200K	3490						
1.50W (5FT)	5500-6500K	5300	120°	SMD2835	Ra>80	>0.9	50W	AC220-240V 50/60Hz
	3800-4200K	5550						
	2700-3200K	5070						

Highbright series

Product name	CCT	Lumen(lm)	Beam angle(°)	LEDs type	CRI	PF	Power(W)	Voltage
1.18W (2FT)	5500-6500K	2440	120°	SMD2835	Ra>80	>0.9	18W	AC220-240V 50/60Hz
	3800-4200K	2500						
	2700-3200K	2360						
1.36W (4FT)	5500-6500K	4780	120°	SMD2835	Ra>80	>0.9	36W	AC220-240V 50/60Hz
	3800-4200K	4820						
	2700-3200K	4600						
1.50W (5FT)	5500-6500K	6320	120°	SMD2835	Ra>80	>0.9	50W	AC220-240V 50/60Hz
	3800-4200K	6560						
	2700-3200K	6180						

Package

Size	Inner packing size	Carton size	Pack Quantity	Net weight	Gross weight
0.6M/2FT 18W	670*85*85mm 26.38*3.35*3.35inch	690*370*290mm 27.17*14.57*11.42inch	12 pcs 12 pcs	0.96 kg 2.12 lb	12.2 kg 26.9 lb
1.2M/4FT 36W	1270*85*85mm 50**3.35*3.35inch	1300*270*200mm 51.18*10.63*7.87inch	6 pcs 6 pcs	1.7 kg 3.75 lb	11.1 kg 24.47 lb
1.5M/5FT 50W	1570*85*85mm 6.18**3.35*3.35inch	1600*270*200mm 62.99*10.63*7.87inch	6 pcs 6 pcs	2.0 kg 4.41 lb	13.1 kg 28.88 lb

Remarks: additional consultation for emergency functions



Flood Light

Mainly applied in outdoor flood lighting, building decoration, industry, sports center, outdoor stadium, port, parking lot, and road if there is street light distribution system.

CE Venus Series | P137-142

CE Landy Series | P143-148

CE Area Light Series | P149-154

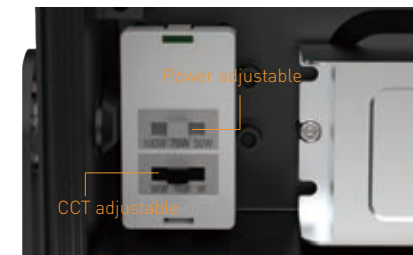
Venus Series

50W / 100W / 150W / 200W / 300W



Easy maintenance

Reducing SKU & Storage costs huge with lens easy to be changed as you need.



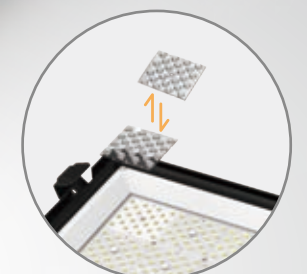
Power adjustable(100%,75%,50%)
CCT adjustable(3000K,4000K,5000K)



Tool free cover opening



Easy to install



Replace the lens

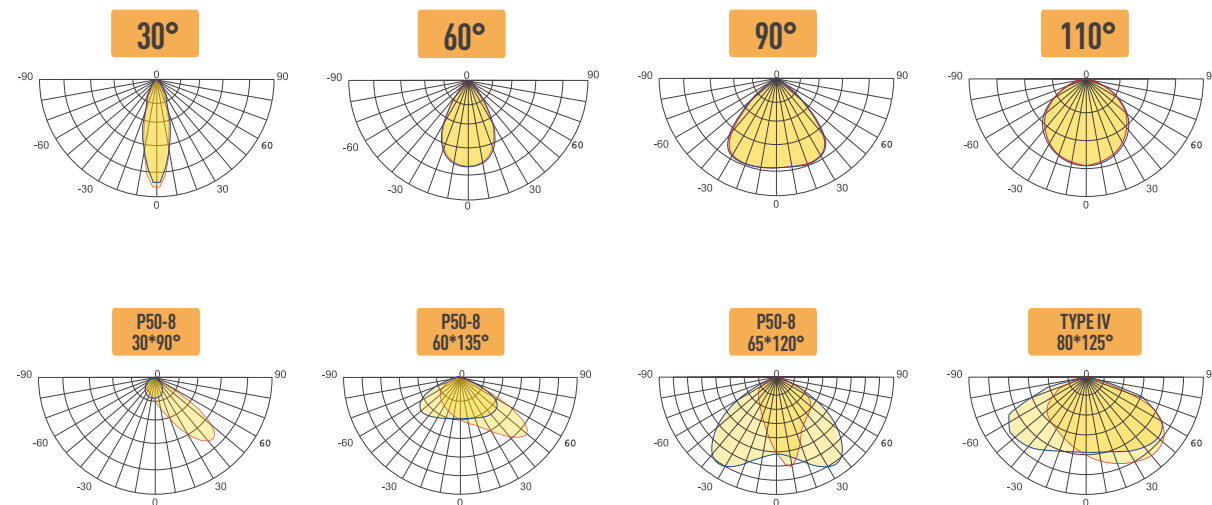
Easy wiring

When there are more than 2 lights on a light pole or advertising tower, the light body can be used as a junction box to avoid repeated wiring and save the cost of the junction box.



Distribution Diagram

Professional light distributions to cover different applications.



IP66 waterproof

The integrated waterproof structure is adopted, better waterproof performance.

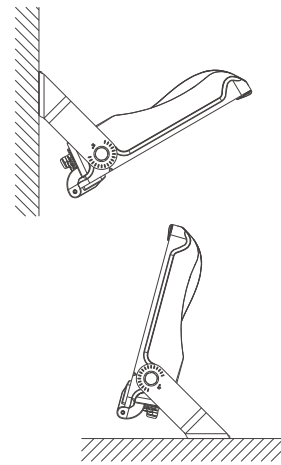
Easy to upgrade or expand

When customers need to add lightning arrester or sensor functions, customers can add on the spot.

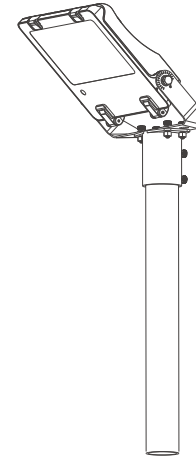
Installation mode

Five choices for installation, U-shaped bracket, Pole mount adapter, Clamp adapter, Corner adapter, Billboard adapter are optional.

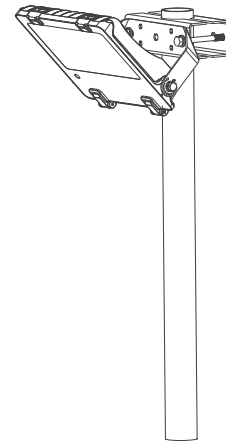
1. U-shaped bracket



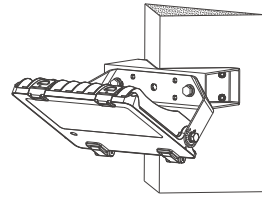
2. Pole mount adapter



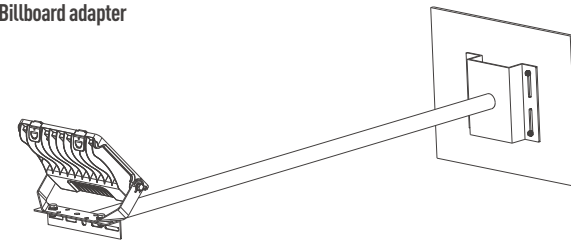
3. Clamp adapter



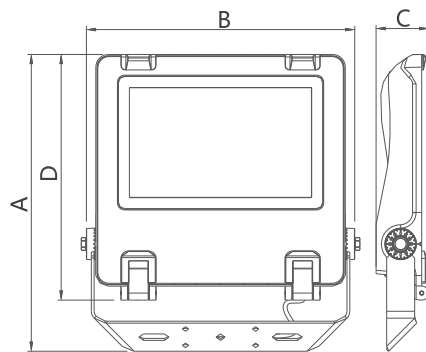
4. Corner adapter



5. Billboard adapter



Dimension



Power	50W	100W	150W	200W	300W
A	266mm/10.47"	340mm/13.39"	415mm/16.34"	420mm/16.54"	500mm/19.68"
B	232mm/9.14"	294mm/11.58"	294mm/11.58"	368mm/14.49"	432mm/17.0"
C	66mm/2.59"	70mm/2.75"	70mm/2.75"	75mm/2.95"	75mm/2.95"
D	216mm/8.50"	270mm/10.63"	388mm/15.28"	345mm/13.58"	425mm/16.73"

Parameters CE for EU



Product name	CCT	Lumen(lm)	Beam angle(°)	LEDs type	CRI	PF	Power(W)	Voltage
Venus 50W	5500-6500K	6000	120°/90°/60°/30° P50/P50-8/P10 /T4	SMD2835	Ra>80	≥0.9	50W	120-277VAC 50/60Hz
	3800-4300K	6250						
	2700-3200K	5760						
Venus 100W	5500-6500K	13000	120°/90°/60°/30° P50/P50-8/P10 /T4	SMD2835	Ra>80	≥0.9	100W	120-277VAC 50/60Hz
	3800-4300K	13350						
	2700-3200K	11700						
Venus 150W	5500-6500K	19500	120°/90°/60°/30° P50/P50-8/P10 /T4	SMD2835	Ra>80	≥0.9	150W	120-277VAC 50/60Hz
	3800-4300K	19800						
	2700-3200K	17600						
Venus 200W	5500-6500K	26000	120°/90°/60°/30° P50/P50-8/P10 /T4	SMD2835	Ra>80	≥0.9	200W	120-277VAC 50/60Hz
	3800-4300K	26100						
	2700-3200K	23400						
Venus 300W	5500-6500K	39000	120°/90°/60°/30° P50/P50-8/P10 /T4	SMD2835	Ra>80	≥0.9	300W	120-277VAC 50/60Hz
	3800-4300K	39120						
	2700-3200K	35100						

Package

Power	Carton size	Pack Quantity	Net weight	Gross weight
50W	565*355*325 mm 22.24*13.98*12.80 inch	5 pcs	12.5 kg 27.56 lb	18.75 kg 41.34 lb
		5 pcs		
100W	565*405*375 mm 22.24*15.95*14.76 inch	5 pcs	17.5 kg 38.58 lb	26.25 kg 57.87 lb
		5 pcs		
150W	565*480*480 mm 22.24*18.9*18.90 inch	4 pcs	14.0 kg 30.86 lb	21.0 kg 46.30 lb
		4 pcs		
200W	470*450*120 mm 18.50*17.72*4.72 inch	1 pcs	6.3 kg 13.89 lb	9.75 kg 21.50 lb
		1 pcs		
300W	550*550*120 mm 21.65*21.65*4.72 inch	1 pcs	8.5 kg 18.74 lb	12.75 kg 28.11 lb
		1 pcs		

LANDY Series

10W / 20W / 30W / 50W / 100W / 150W



High-quality light source

Adopt efficient 2835 light source.

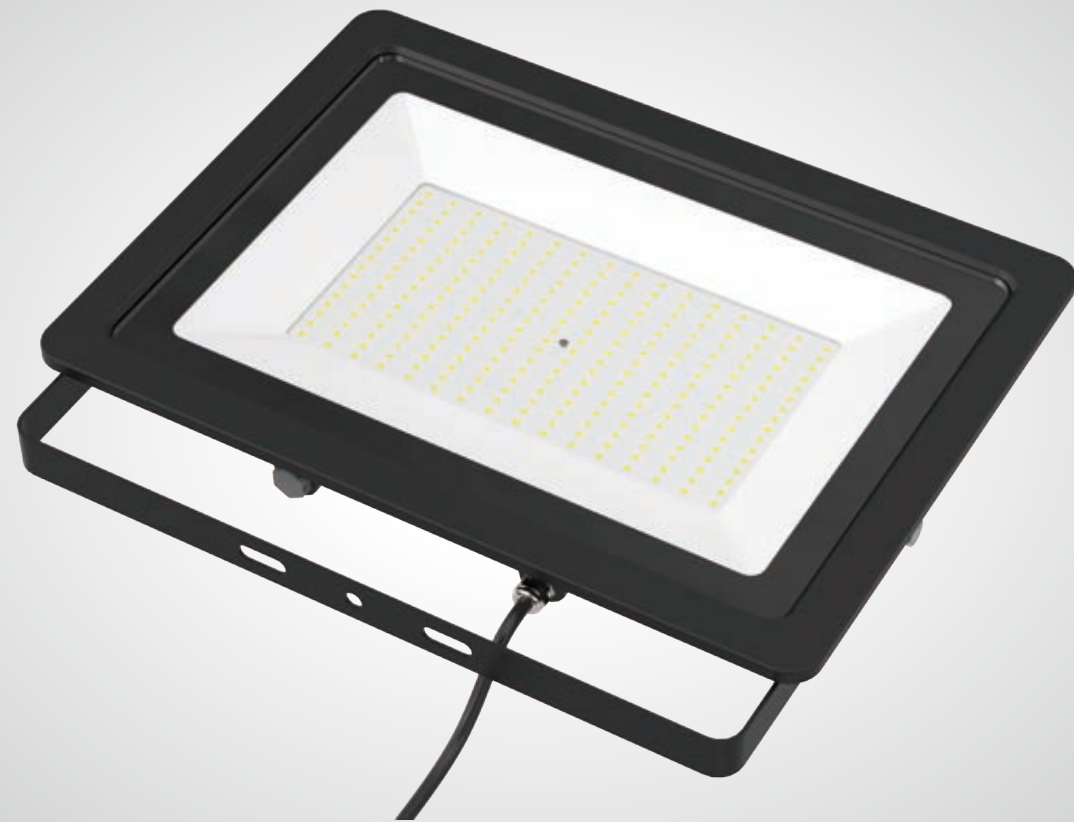
100LPW high efficient

High efficient: up to 100LPW. The reflector with tempered glass shape is efficient and energy saving.

Better heat dissipation

The die casting aluminum alloy lamp body features good heat dissipation, firm and durable.





IP65 waterproof

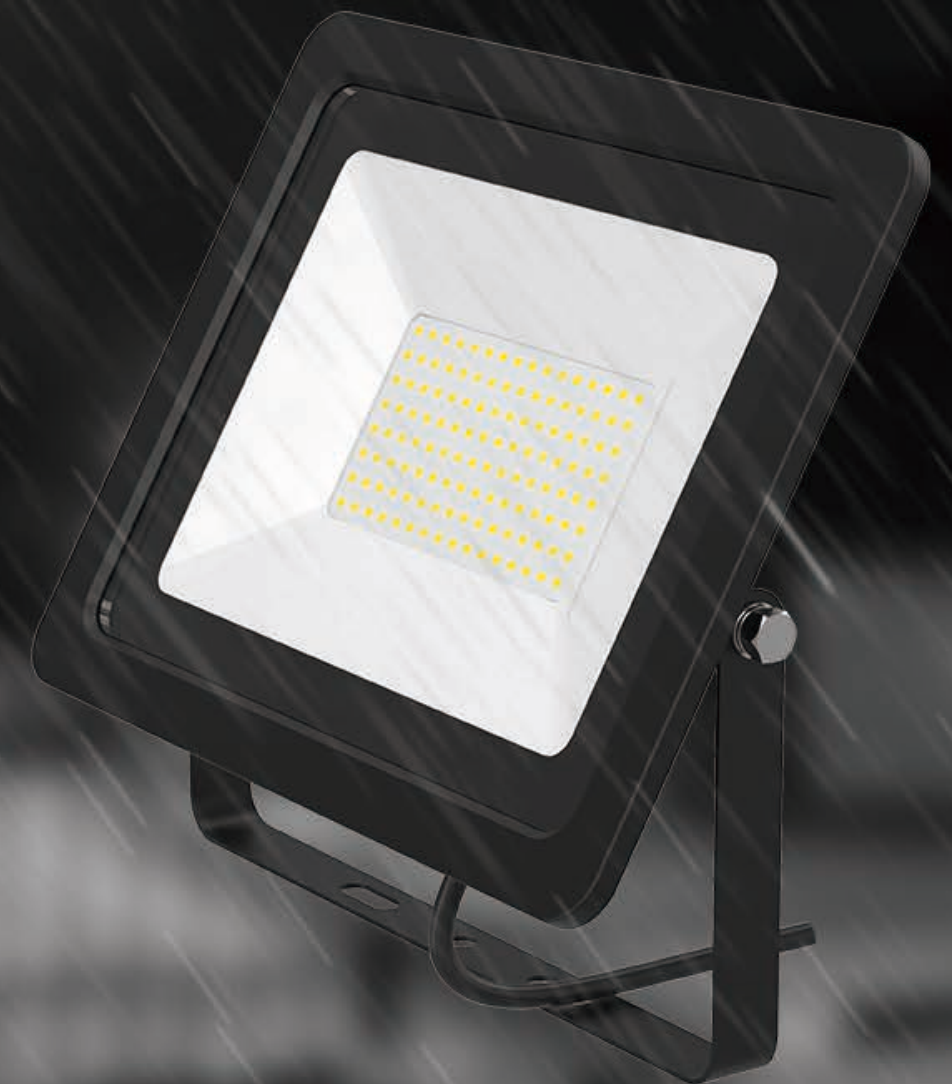
IP65, better waterproof.

Wearproof and anti-corrosion

Dedicated outdoor powder-coated technique is applied to the surface, wearproof and anti-corrosion.

Protection against electric shock

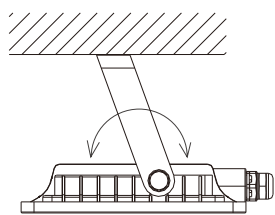
Protection against electric shock: Category I.



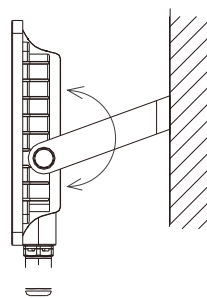
Installation

Three choices for installation, Ceiling installation Wall mounted installation, Pedestal installation are optional.

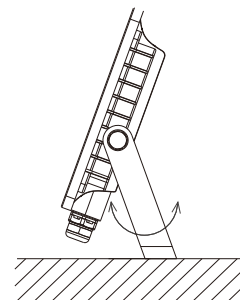
1. Ceiling installation



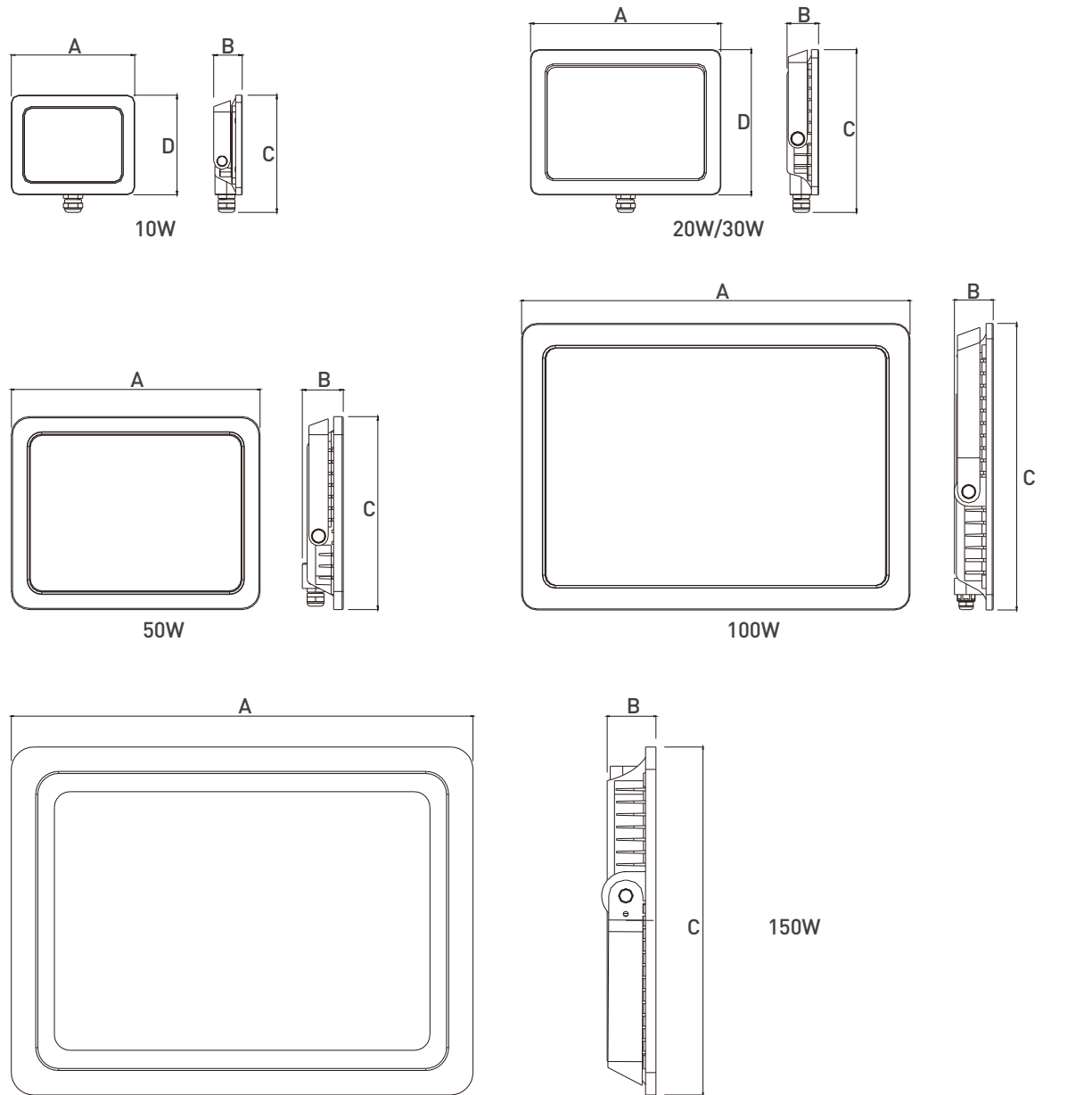
2. Wall mounted installation



3. Pedestal installation



Dimension



Power	10W	20W/30W	50W	100W	150W
A	103mm/4.06"	160mm/6.3"	206mm/8.11"	380mm/14.96"	445mm/17.52"
B	83mm/3.27"	122mm/4.8"	34mm/1.34"	38mm/1.5"	47mm/1.85"
C	24mm/0.95"	26mm/1.02"	160mm/6.3"	280mm/11.02"	335mm/13.19"
D	98mm/3.86"	138mm/5.43"	-	-	-

Parameters



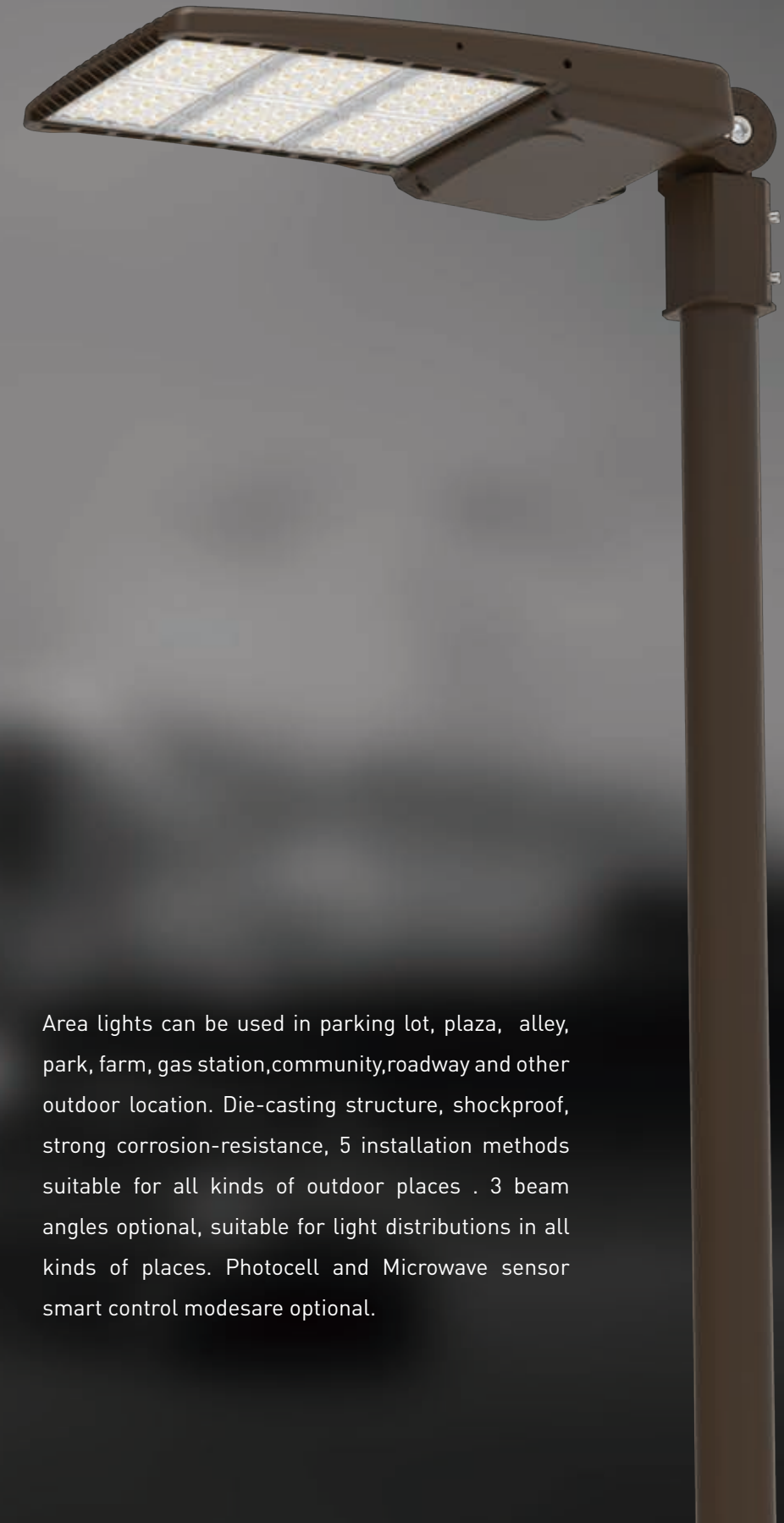
Product name	CCT	Lumen(lm)	Beam angle	LEDs type	CRI	Power(W)	Voltage
Landy 10W	5500-6500K	1000	120°	SMD2835	Ra>80	10W	220-240VAC 50/60Hz
	3800-4200K	1000					
	2700-3200K	900					
Landy 20W	5500-6500K	2100	120°	SMD2835	Ra>80	20W	220-240VAC 50/60Hz
	3800-4200K	2100					
	2700-3200K	1900					
Landy 30W	5500-6500K	3000	120°	SMD2835	Ra>80	30W	220-240VAC 50/60Hz
	3800-4200K	3000					
	2700-3200K	2700					
Landy 50W	5500-6500K	5250	120°	SMD2835	Ra>80	50W	220-240VAC 50/60Hz
	3800-4200K	5250					
	2700-3200K	4750					
Landy 100W	5500-6500K	10500	120°	SMD2835	Ra>80	100W	220-240VAC 50/60Hz
	3800-4200K	10500					
	2700-3200K	9500					
Landy 150W	5500-6500K	15750	120°	SMD2835	Ra>80	150W	220-240VAC 50/60Hz
	3800-4200K	15750					
	2700-3200K	14250					

Package

Power	Carton size	Pack Quantity	Net weight	Gross weight
10W	365*355*260mm	60 pcs	15 kg	16.5kg
	14.37 *13.98 *10.24 inch	60 pcs	33.07 lb	36.38 lb
20W/30W	360*355*325mm	36 pcs	17.3 kg	19.2kg
	14.17 *13.98 *12.80 inch	36 pcs	38.14 lb	42.33 lb
50W	485*445*215mm	20 pcs	17.8 kg	18.8kg
	19.09 *17.52 *8.46 inch	20 pcs	39.24 lb	41.45 lb
100W	438*350*355mm	6 pcs	19.8 kg	20.5kg
	17.24 *13.78 *13.98 inch	6 pcs	43.65 lb	45.19 lb
150W	483*372*300mm	4 pcs	18.4 kg	20kg
	19.02 *14.65 *11.81 inch	4 pcs	40.57 lb	44.09 lb

Area Light Series

100W / 150W / 200W / 240W / 300W



Area lights can be used in parking lot, plaza, alley, park, farm, gas station, community, roadway and other outdoor location. Die-casting structure, shockproof, strong corrosion-resistance, 5 installation methods suitable for all kinds of outdoor places. 3 beam angles optional, suitable for light distributions in all kinds of places. Photocell and Microwave sensor smart control modes are optional.

Photocell function optional

If you want to install Photocell function, just remove the cover on the reserved holes of Photocell function.

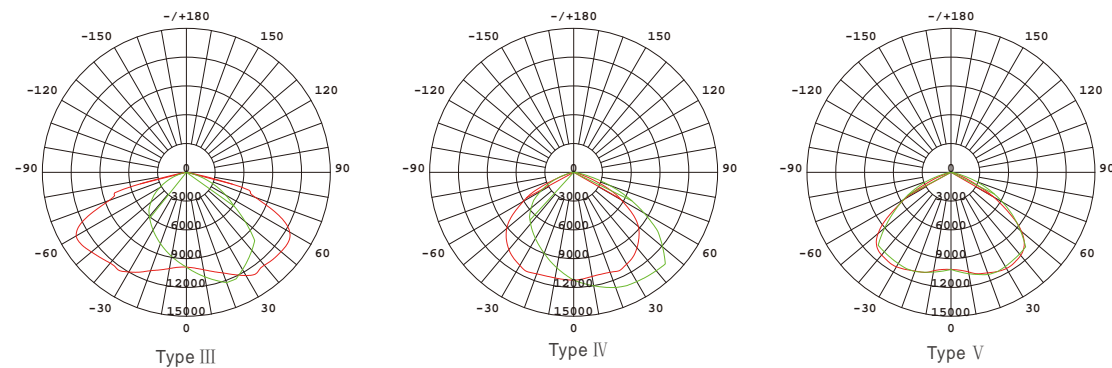


Anti-UV, aging resistance

PC lens, anti-UV, good aging resistance.

Modular design

Modular design, multiple power options, applicable to different installation at heights of 3-15m.



130 LPW lighting effect

High luminous efficiency, 130 LPW lighting effect.

Die-casting design

Die-casting design, more durable, stronger.

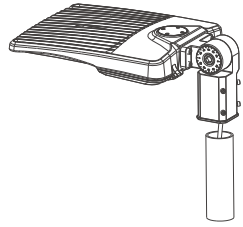
Motion sensor optional

Motion sensor with remote, convenient to set fixtures, energy saving up to 70%.

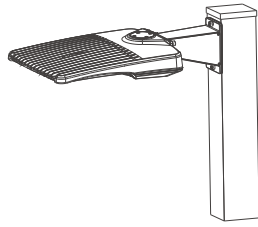


Installation mode

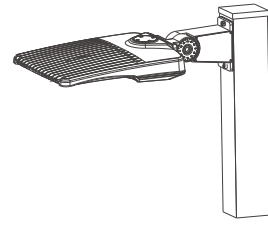
Slip Fitter:
60mm(2.36 inch) lamp-pole



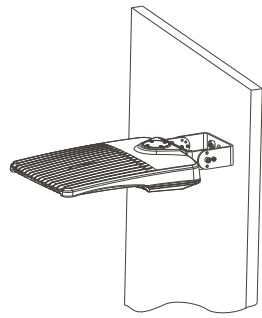
Straight arm bracket C:
100-150mm(3.94-5.91 inch) square pole



Straight arm bracket D:
100-150mm(3.94-5.91 inch) square pole

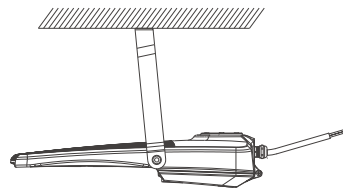


Trunnion bracket:

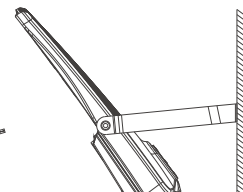


Yoke Mount:

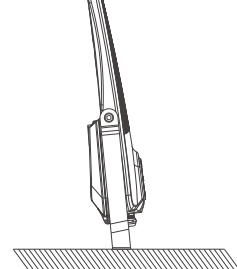
1. Ceiling installation



2. Wall mounted installation



3. Pedestal installation



Installation accessories



Slip Fitter



Straight arm bracket C
(Square pole)



Straight arm bracket D
(Round pole)



Straight arm bracket D
(Square pole)



Trunnion bracket



Yoke Mount

Parameters



Product name	CCT	Lumen(lm)	Beam angle(°)	LEDs type	CRI	PF	Power(W)	Voltage
Area light 100W	5700K	13000	Type III Type IV Type V	SMD2835	Ra>80	>0.9	100W	120-277VAC 50/60Hz
	5000K	13000						
	4000K	13000						
	3500K	12300						
Area light 150W	5700K	18900	Type III Type IV Type V	SMD2835	Ra>80	>0.9	150W	120-277VAC 50/60Hz
	5000K	19500						
	4000K	20500						
	3500K	20040						
Area light 200W	5700K	23800	Type III Type IV Type V	SMD2835	Ra>80	>0.9	200W	120-277VAC 50/60Hz
	5000K	24400						
	4000K	26300						
	3500K	25300						
Area light 240W	5700K	30240	Type III Type IV Type V	SMD2835	Ra>80	>0.9	240W	120-277VAC 50/60Hz
	5000K	31000						
	4000K	33000						
	3500K	31700						
Area light 300W	5700K	36000	Type III Type IV Type V	SMD2835	Ra>80	>0.9	300W	120-277VAC 50/60Hz
	5000K	36800						
	4000K	39400						
	3500K	37800						

Package

Power	Carton size	Pack Quantity	Net weight	Gross weight
100W	550*375*170 mm 21.65*14.76*6.69 inch	1 pcs	3.5 kg 7.72 lb	4.4 kg 9.7 lb
		1 pcs		
150W	680*375*170 mm 26.77*14.76*6.69 inch	1 pcs	5.1 kg 11.24 lb	6.1 kg 13.45 lb
		1 pcs		
200W	680*375*170 mm 26.77*14.76*6.69 inch	1 pcs	5.2 kg 11.26 lb	6.2 kg 13.47 lb
		1 pcs		
240W	795*390*195 mm 31.3*15.3*7.68 inch	1 pcs	6.6 kg 14.55 lb	8.1 kg 17.86 lb
		1 pcs		
300W	795*390*195 mm 31.3*15.3*7.68 inch	1 pcs	7.1 kg 15.65 lb	8.6 kg 18.96 lb
		1 pcs		



Sport Light

Sport Light can be used in stadiums, airports, ports, large squares and intersections. Easy installation, sturdiness, with latest generation LED technology and optical distributions make it a quality, versatile solution.

CE Acrab Series | P157-162

Acrab Series

400W / 600W / 800W / 1200W / 1800W



Modular design

Modular design of the light-emitting module, easy to adjust the angle of the light-emitting module.

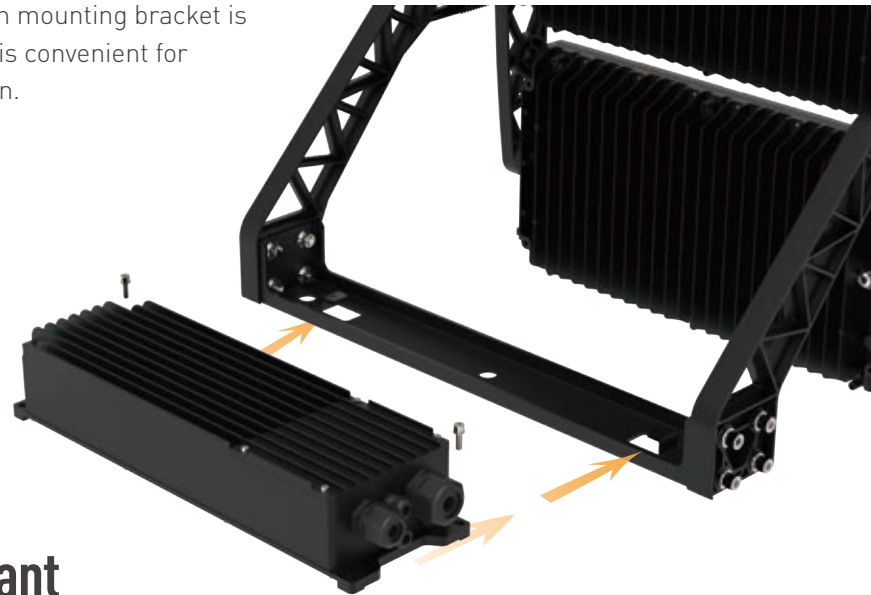
Better heat dissipation

Light emitting module modular design, low wind resistance and excellent heat dissipation.



Quick installation

The innovative joint-type design mounting bracket is placed in the guide rail, which is convenient for quick installation by one person.



3-Channel Constant Current LED Drivers

Dimmable built-in constant current 3-channel LED Driver with DALI 2 or DMX / RDM control interface.

SPOT optical system

The SPOT optical system is specially developed for the lighting of professional sports facilities. The system consists of 7 different symmetrical optics for precise lighting on site.

Angle adjustable

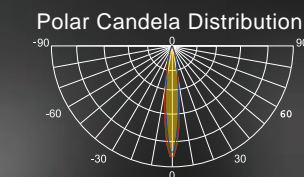
The vertical direction of the lamp can be adjusted from 20-75°, with one step every 5°. The lateral direction is further fine-tuned from 0° to +10°.



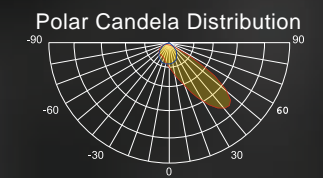
Distribution Diagram

7 optical angles (10°, 30°, 60°, 90°, P50-N, P60-N, P60-W).

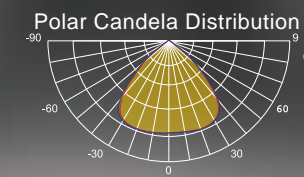
10°



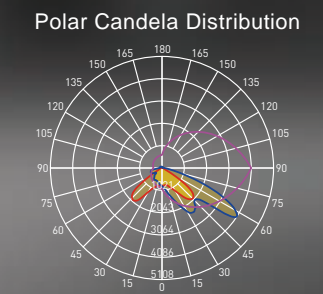
P50-N



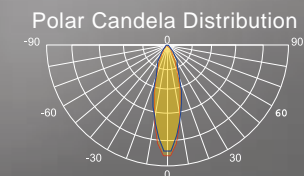
90°



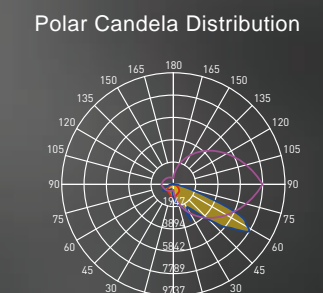
P60-N



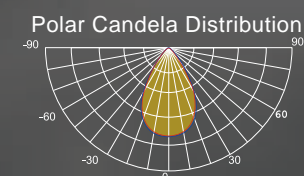
30°



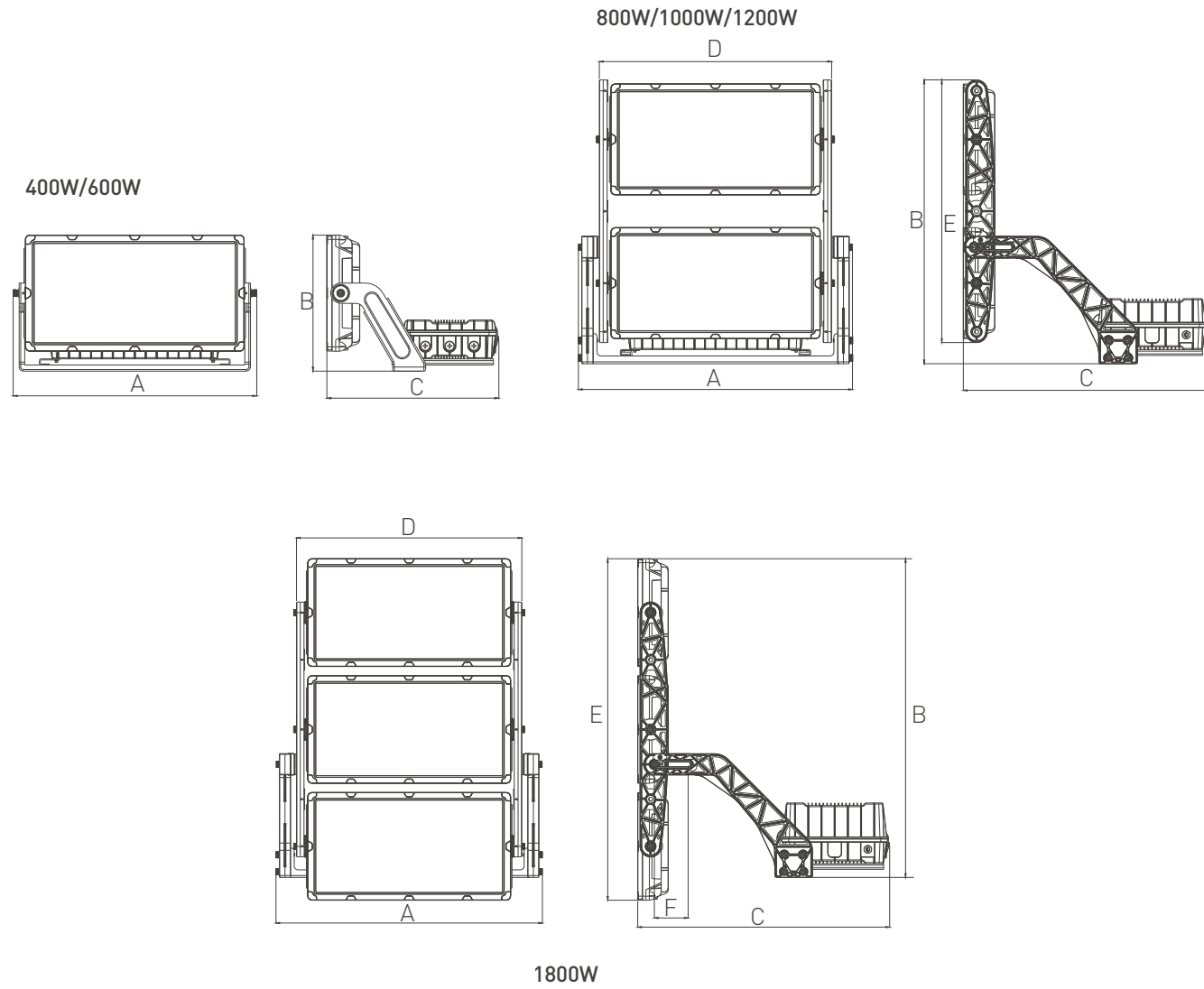
P60-W



60°



Dimension



Power	400W/600W	800W/1000W/1200W	1800W
A	600mm/23.62"	707mm/27.83"	707mm/27.83"
B	335mm/13.19"	730mm/28.74"	845mm/33.27"
C	424mm/16.69"	668mm/26.30"	668mm/26.30"
D	/	598mm/23.54"	598mm/23.54"
E	/	676mm/26.61"	906mm/35.67"
F	/	/	80mm/3.15"

Parameters CE for EU



Product name	CCT	Lumen(lm)	Beam angle(°)	LEDs type	CRI	Power(W)	Voltage
Acrab 400W	● 5500-6500K	51500	10°/30°/60°/90° P50-N/P60-N/ P60-W	SMD5050/ SMD3535	Ra>70	400W	120-277VAC 277-480V 50/60Hz
	● 3800-4300K	52000					
	● 2700-3200K	46800					
Manta 600W	● 5500-6500K	81500	10°/30°/60°/90° P50-N/P60-N/ P60-W	SMD5050/ SMD3535	Ra>70	600W	120-277VAC 277-480V 50/60Hz
	● 3800-4300K	82000					
	● 2700-3200K	74000					
Acrab 800W	● 5500-6500K	97500	10°/30°/60°/90° P50-N/P60-N/ P60-W	SMD5050/ SMD3535	Ra>70	800W	120-277VAC 277-480V 50/60Hz
	● 3800-4300K	98000					
	● 2700-3200K	88200					
Acrab 1000W	● 5500-6500K	141000	10°/30°/60°/90° P50-N/P60-N/ P60-W	SMD5050/ SMD3535	Ra>70	1000W	120-277VAC 277-480V 50/60Hz
	● 3800-4300K	142000					
	● 2700-3200K	127800					
Acrab 1200W	● 5500-6500K	182000	10°/30°/60°/90° P50-N/P60-N/ P60-W	SMD5050/ SMD3535	Ra>70	1200W	120-277VAC 277-480V 50/60Hz
	● 3800-4300K	187000					
	● 2700-3200K	168300					
Acrab 1800W	● 5500-6500K	250000	10°/30°/60°/90° P50-N/P60-N/ P60-W	SMD5050/ SMD3535	Ra>70	1800W	120-277VAC 277-480V 50/60Hz
	● 3800-4300K	254000					
	● 2700-3200K	228600					





Street Light

Street light is used for outdoor main lighting, including urban streets, highways, parking lots outside malls, and small stadiums.

CE Manta Series | P165-170

Manta Series

20W / 40W / 60W / 80W / 100W



Angle adjustable

The angle of the light head is adjustable in horizontal and vertical directions, and can be used for roads in any direction (S-shaped & Z-shaped).

Modular design

Modular design of light source and battery module, easy to maintain and reduce transportation costs.

High efficient

Ultra high brightness brand LED, professional optical design, high transmittance and uniform light distribution, light efficiency >200LPW.

Monocrystalline silicon PV panel

Using high-efficiency monocrystalline silicon PV panel.
The conversion efficiency is more than 21%.
The 10-year life attenuation is less than 10%.



Smart photocell & time control

Integrated light control & time control, dual control,
can more accurately identify the start and stop conditions.



LiFeP04

LiFeP04 power grade battery pack,
safe and stable.

MPPT

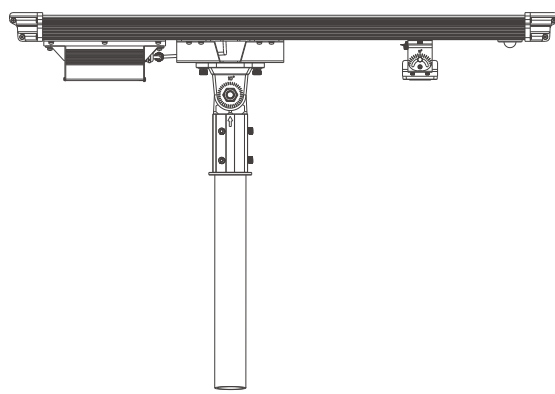
The use of MPPT can better deal with complex
climate change and has higher conversion
efficiency.

Continuous lighting

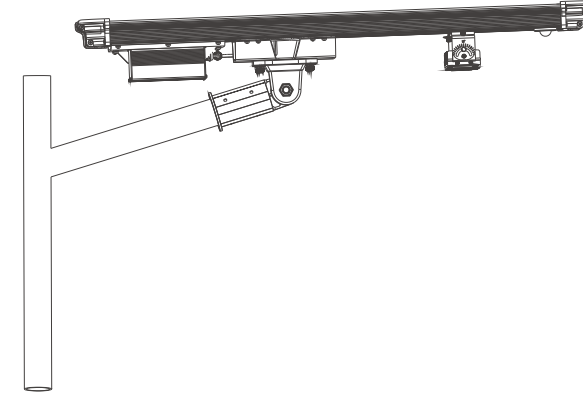
The working time limit can be maintained
for more than 3 rainy days.

Installation mode

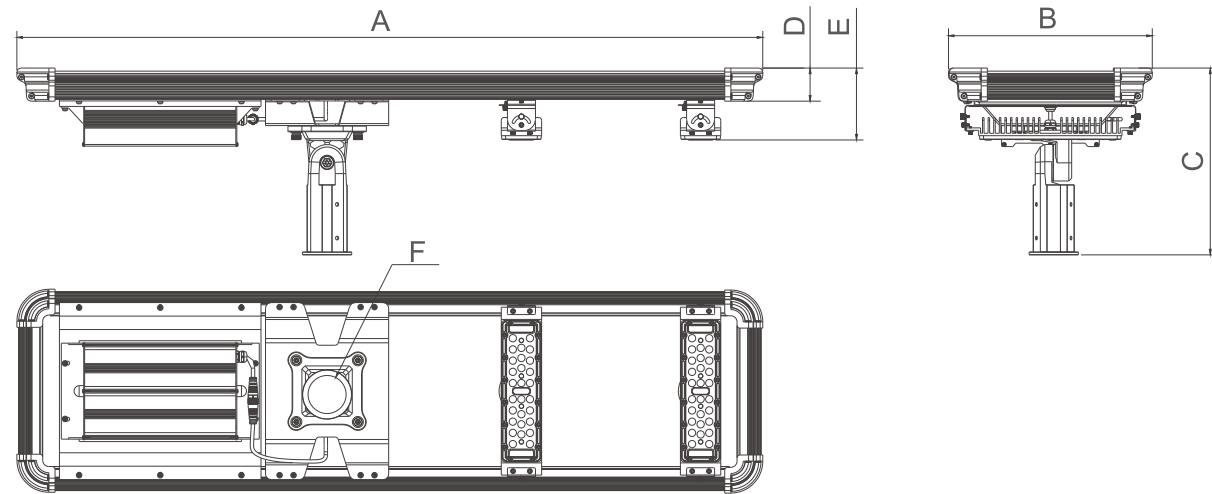
Vertical Installation



Side-arm Installation



Dimension



Power	20W	40W	60W	80W	100W
A	887mm/34.93"	1127mm/ 44.37"	1332mm/52.44"	1669mm/65.7"	1829mm/72.0"
B	364mm/14.33"	364mm/14.33"	364mm/14.33"	364mm/14.33"	364mm/14.33"
C	334mm/13.15"	334mm/13.15"	334mm/13.15"	334mm/13.15"	334mm/13.15"
D	59mm/2.30"	59mm/2.30"	59mm/2.30"	59mm/2.30"	59mm/2.30"
E	130mm/ 5.12"	130mm/ 5.12"	130mm/ 5.12"	130mm/ 5.12"	130mm/ 5.12"
F	68mm/2.70"	68mm/2.70"	68mm/2.70"	68mm/2.70"	68mm/2.70"

Parameters CE for EU



Product name	CCT	Lumen(lm)	Beam angle(°)	LEDs type	CRI	Power(W)	Battery spec
Manta 20W	● 5500-6500K	4300	90°/60°/TYPE II /TYPE III	SMD5050	Ra ≥ 70	20W	LifePo4 115W
	● 3800-4300K	3950					
	● 2700-3200K	3850					
Manta 40W	● 5500-6500K	8500	90°/60°/TYPE II /TYPE III	SMD5050	Ra ≥ 70	40W	LifePo4 230W
	● 3800-4300K	8300					
	● 2700-3200K	8000					
Manta 60W	● 5500-6500K	12000	90°/60°/TYPE II /TYPE III	SMD5050	Ra ≥ 70	60W	LifePo4 384W
	● 3800-4300K	11900					
	● 2700-3200K	11700					
Manta 80W	● 5500-6500K	17000	90°/60°/TYPE II /TYPE III	SMD5050	Ra ≥ 70	80W	LifePo4 460W
	● 3800-4300K	16500					
	● 2700-3200K	16000					
Manta 100W	● 5500-6500K	21000	90°/60°/TYPE II /TYPE III	SMD5050	Ra ≥ 70	100W	LifePo4 614W
	● 3800-4300K	20800					
	● 2700-3200K	20400					

Package

Power	Carton size	Pack Quantity	Net weight	Gross weight
20W	965*450*285 mm	1 pcs	7.5 kg	9.0 kg
	37.99*17.72*11.22 inch	1 pcs	16.53 lb	19.84 lb
40W	1205*450*225 mm	1 pcs	9.5 kg	11.0 kg
	47.44*17.72*8.86 inch	1 pcs	20.94 lb	24.25 lb
60W	1410*450*225 mm	1 pcs	12.5 kg	14.0 kg
	55.51*17.72*8.86 inch	1 pcs	27.56 lb	30.86 lb
80W	1745*450*225 mm	1 pcs	14.0 kg	16.0 kg
	68.70*17.72*8.86 inch	1 pcs	30.86 lb	35.27 lb
100W	1905*450*225 mm	1 pcs	16.5 kg	18.0 kg
	75.00*17.72*8.86 inch	1 pcs	36.38 lb	39.68 lb

Limited Warranty

The "Warranty Period" will begin at the date of original Product purchase from either Signcomplex, or an authorized Signcomplex Distributor/Dealer. Signcomplex will repair or replace product covered under this warranty with components at Signcomplex's election or discretion. Advances in technology may lead to "better or advanced" products being selected for replacement.

This Warranty is further conditioned on the purchaser contacting Signcomplex during the warranty period between normal business hours to review the issue and initiate the Returned Merchandise Authorization (RMA) process. This must be done prior to the return of any defective product. Only Signcomplex manufactured products may be returned through the Signcomplex RMA process. No defective products, Signcomplex or otherwise, will be returned to purchaser. The Signcomplex RMA form must be legible and completed in detail prior to approval for return. The Signcomplex Warranty is further conditioned and will only apply to Signcomplex products that are properly installed. This includes wiring and connection to proper approved components and product working environments. This Warranty is void and does not apply to products that fail as a result of neglect, mistake, misuse, alteration, improper installation or implementation. This includes but is not limited to: improper wiring, installation under improper and nonapproved operating environments such as temperature, humidity or voltage conditions; improper installation using components that are not approved or are not Signcomplex manufactured products.

Installation and usage of Signcomplex products should only be completed in association and complete knowledge of all necessary and related codes, standards and instructions of installation. It is the responsibility of the purchaser to obtain all necessary approvals and to understand the product's intended use and all relevant instructions, recommendations, and guidelines for the proper installation, use of any Signcomplex product and related "manufactured products," used in conjunction with. The accuracy and completeness of any statements, technical information and recommendations in any form of product literature or instructions are not guaranteed, are not part of this Warranty, and does not in any way constitute a warranty. The purchaser is responsible for suitability of installation and full implementation and must determine potential applications and installations independently.

Warranty Compensation will be based on "usage factors and time in use" and "Technology Value," and will be prorated based on this and information collected via the RMA process.

Product Warranty Matrix

LED highbay light	5years
LED tri-proof light	3years
LED flood light	5years
LED Sport Light	5years
LED Street Light	5years

What is not covered under this Limited Warranty is defects of any kind caused or created by improper installation of any kind; damage caused during shipping to purchaser or beyond "acts of Nature or God." Signcomplex will not cover additional labor costs or Warranty such labor associated with replacement products. This Warranty document represents the only ex-press or implied Warranty - no other Warranties exist.