

©2023  
Signcomplex Limited  
All rights reserved



# COMMERCIAL LIGHTING

2023V1



4th Floor, Mingfeng Building, No.2 Xikeng Road,  
Fucheng Street, Shenzhen, China

T +86 755 2809 3844  
F +86 755 8179 2381  
E [info@signcomplex.com](mailto:info@signcomplex.com)  
W [www.signcomplex.com](http://www.signcomplex.com)

## About Signcomplex



Founded  
in 2006



Factory area  
50,000 m<sup>2</sup>



560+  
employees



Main products  
Commercial lighting / Strip lighting  
Industrial lighting



Certified systems  
ISO9001:2015 quality system  
ISO14001 environmental system



Product certification  
CE/RoHS/ERP/UL/  
DLC/CB, etc.



Market share  
Europe 40% / North America 37% /  
China 8% / other 15%



National high-tech  
enterprise



200+ patents



Customized service

# Business Advantage



## Self-R&D

Our R&D and engineering team with over 100 people has rich experience in shape design, electronic structure, optical design, light control system and process improvement, etc. OEM/ODM services are available.



## Self-manufacture

Large factory area, professional production line for commercial lighting products, sufficient production capacity.



## Professional supply chain management system

The products have characteristics and high cost performance.



## Professional service team

We have professional sales, technical support, quality control and logistics team to provide thoughtful service to our customers.



# Corporate Culture



## Value

Customer and quality first, real-time service, teamwork and continuous innovation.



## Vision

Global famous brand of intelligent lighting and century enterprise.



## Business philosophy

Pragmatic, efficient, trustworthy and value-added.

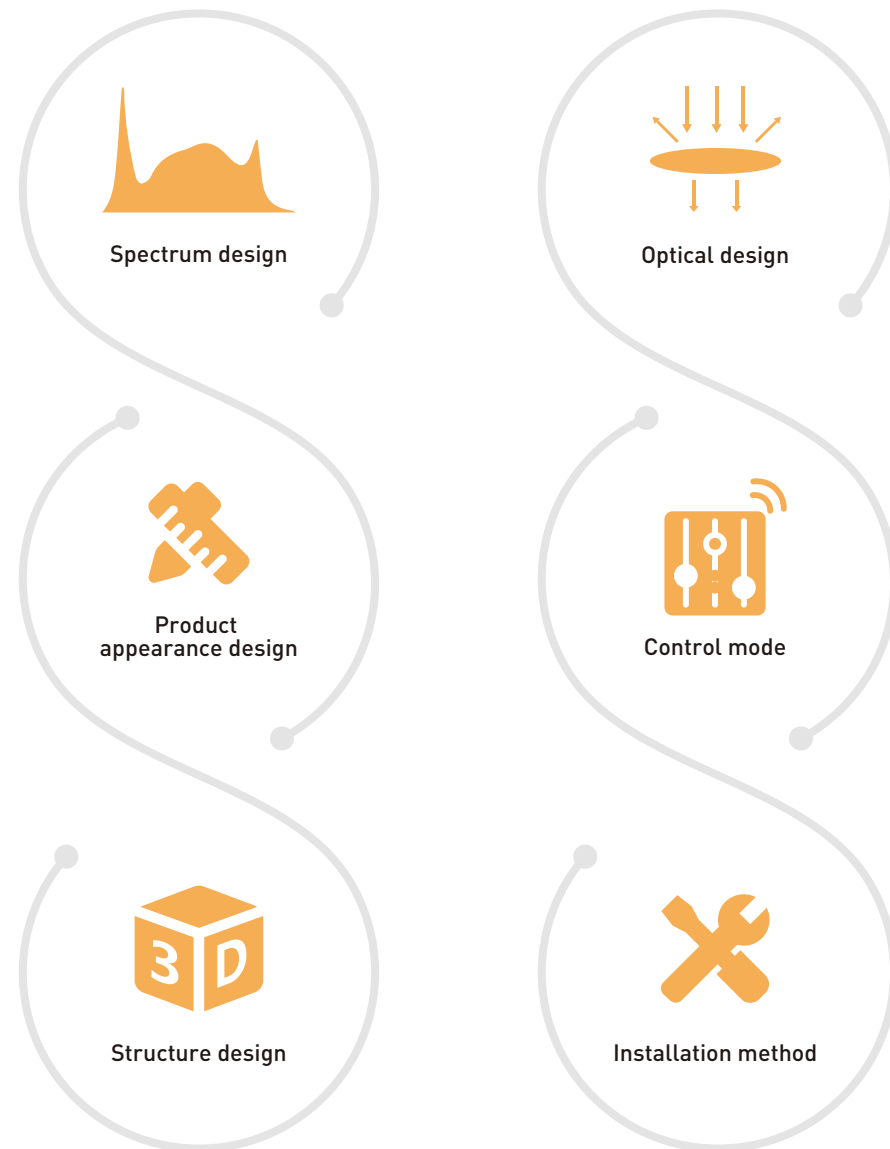


## Mission

Continuously improve products and services to meet customer needs. Continuously innovate technology to create an intelligent and excellent light environment.



## Customized Service



## Main Production Devices



SMT machine .....	13 sets	Auto dispensing machine .....	2 sets
Reflow soldering .....	8 sets	Solder paste mixer .....	4 sets
Auto printer .....	14 sets	Auto screw machine .....	11 sets
Auto wire bonder .....	7 sets	Auto packing machine .....	4 sets
Auto loading machine .....	3 sets	LED dehumidification box .....	8 sets
Slitting machine .....	9 sets	Spray code machine .....	4 sets
Injection machine .....	5 sets	Circular assembly line .....	15 sets
Silicone extruder .....	2 sets		

# R&D

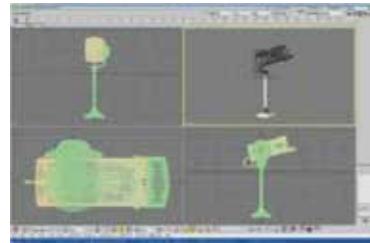
Signcomplex has R&D capability in LED lighting fixtures. More than 5% of our annual sales in R&D to ensure continuous product improvement and innovation.

Our 100 people R&D team has rich experience in intelligent software, electronic structure, lighting control system, heat dissipation simulation analysis and so on.

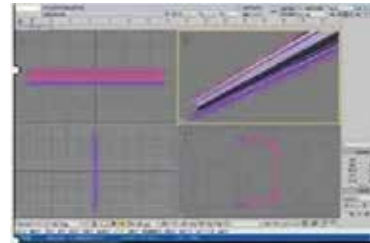
We also have the ability to develop customized products.



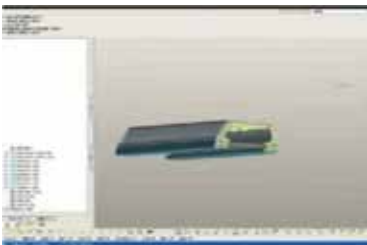
Rhino modeling  
(Shape design)



3DS-Rendering  
(Shape design)



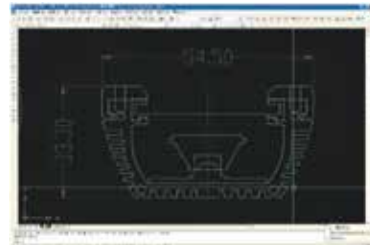
3DSMAX  
(Shape design)



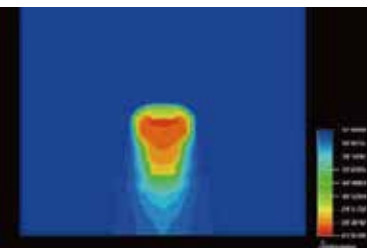
Pro-E  
(Structure design)



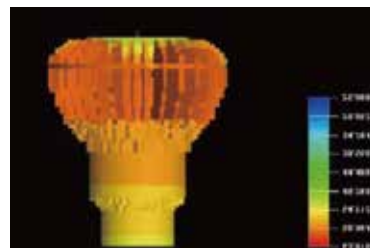
PCB board design



AutoCAD  
(Driver design)



ICEPAK  
(Thermal analysis)



ICEPAK  
(Thermal analysis)

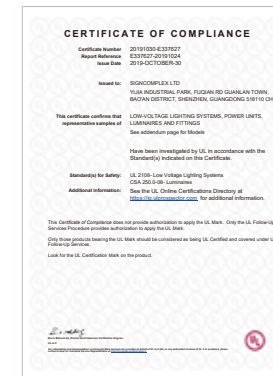


Optical design

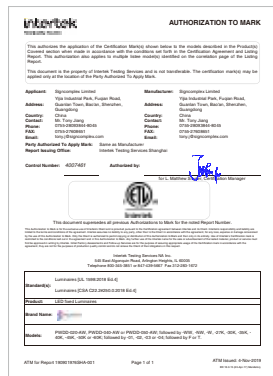
# Certificate



▲ ISO9001:2015



▲ UL



▲ ETL



▲ FCC



▲ IP Grade



▲ SAA



▲ CE



▲ RoHS



▲ ERP

# Strict Quality Control

We establish standards and specifications for laboratory reliability testing, improve product testing standards, and improve product quality. Our products have passed the following tests:

- Dust-proof test
- IP rating test
- Wind-shield
- Line leakage test
- Anti-UV test
- Salt Spray test
- High Voltage test
- Suspension test
- Lifespan test
- Power on and off test
- Dimension check
- Wire rod check
- Electronic load test
- Oscilloscope
- Oven
- Safety test
- Drop test
- Aging test
- Optical test
- Cold thermal shock test
- Transport simulation test
- Constant temperature & humidity test



▲ IP rating test



▲ Power on and off test



▲ UV aging test



▲ Optical test



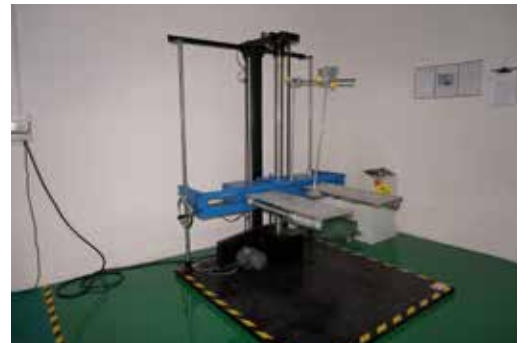
▲ Cold thermal shock test



▲ Salt spray test



▲ ESD generator



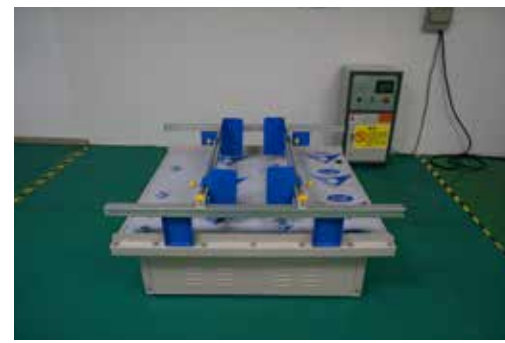
▲ Drop test



▲ Lifespan test



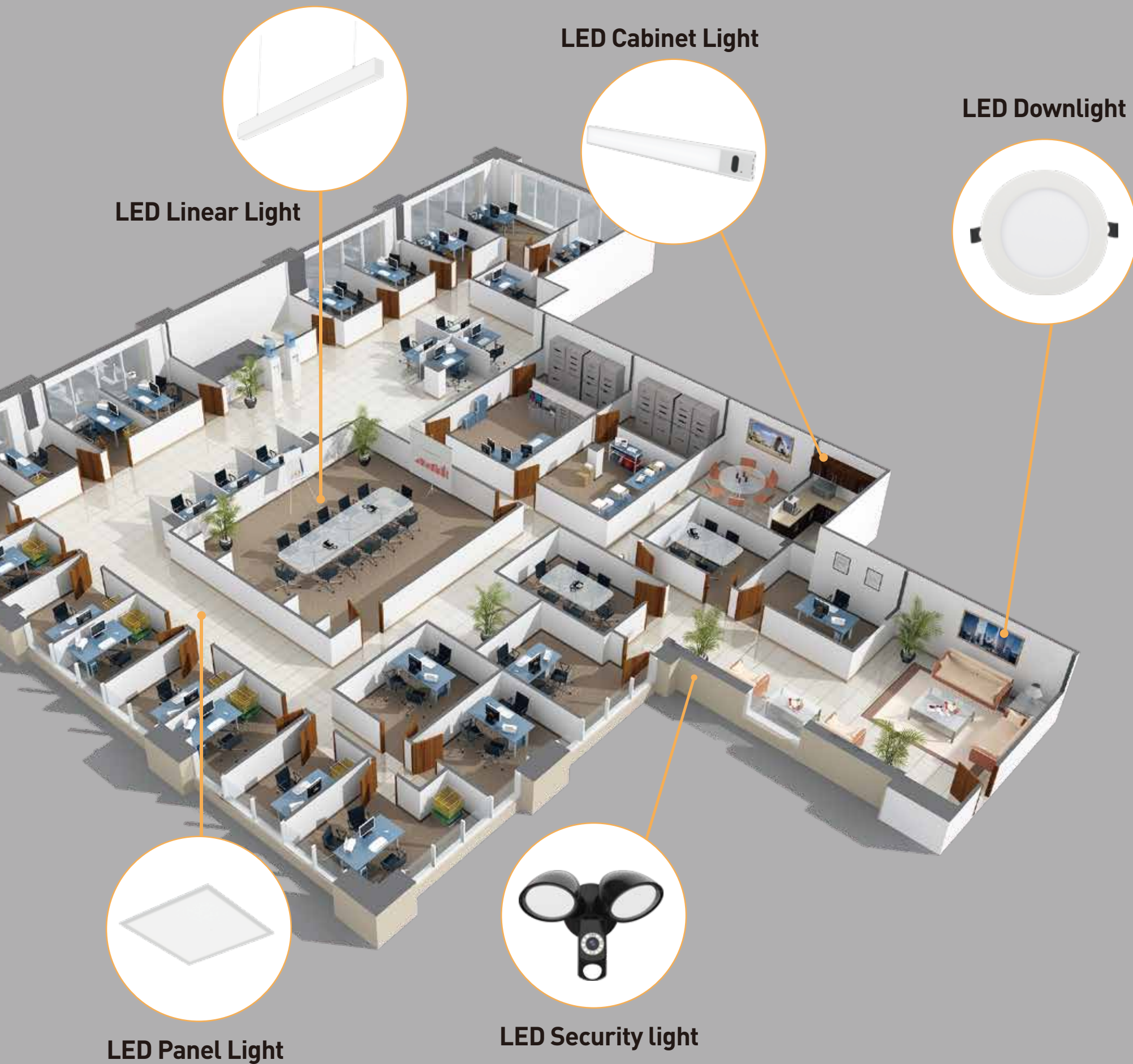
▲ Goniophotometers system



▲ Transport simulation test



▲ Aging test



**LED Cabinet Light**

**LED Downlight**

**LED Linear Light**

**LED Panel Light**

**LED Security light**

# Commercial Lighting

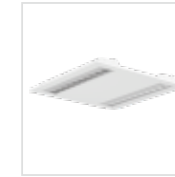
Signcomplex commercial lighting products are designed based on scene and mood lighting, different light efficiency, maximum up to 160lm/W, can meet general illuminance requirement. CCT 3000K, 4000K, 5000K, 6000K, and 2700K, minimum CRI80, maximum CRI97. No matter glorious hotel or warm and sweet coffee shop, you can find suitable lamp from Signcomplex.

It's time to replace them with LED lamp. LED is solid light source, UV free, mercury free, and it is healthy and green lighting; at the same time it is more energy-saving, up to 90%. Since 2006, Signcomplex supply thousands of our products to brand company like Louis Vuitton, Burberry, Sheraton, Four-Seasons, Marriott, Marlboro, NIKE, Walmart, etc, and Signcomplex is the vendor of Schneider, Simon, SLV, Philips and Electrolux.

Application: widely used in hotels, meeting rooms, factories, offices, commercial purposes, residential, institution buildings, schools, hospitals, places which needs energy saving and high color rendering index lighting.

# CONTENTS

## LED Panel light



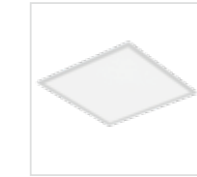
3CCT louvres light  
/ 03-08 /



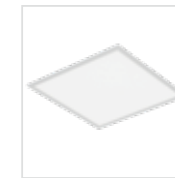
Smart panel light  
/ 09-14 /



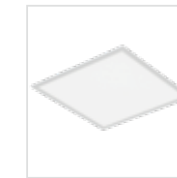
PIR sensor panel light  
/ 15-20 /



Wattage adjustable & 3CCT tunable series Edge-lit series  
/ 21-26 /



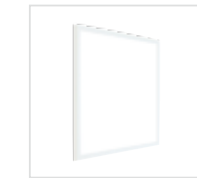
Wattage adjustable & 3CCT tunable series Back-lit series  
/ 27-32 /



3CCT tunable series  
/ 33-38 /



Super slim back-lit series  
/ 39-44 /



Super slim edge-lit series  
/ 45-54 /

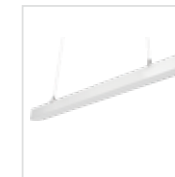


IP65 Waterproof series  
/ 55-60 /

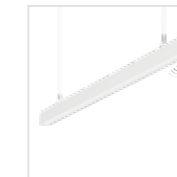


Float series  
/ 61-64 /

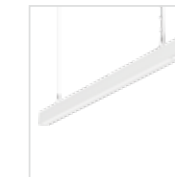
## LED Linear light



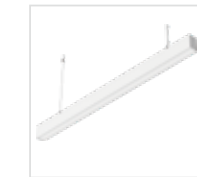
SL8055 series  
/ 67-72 /



SL8050 series (microwave sensor)  
/ 73-78 /



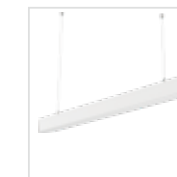
SL8050 series (pir sensor)  
/ 79-84 /



SL8050 series  
/ 85-90 /



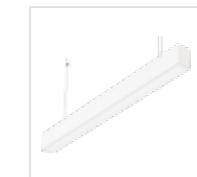
SL3668 series  
/ 91-96 /



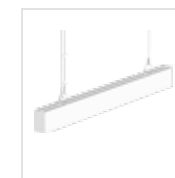
SL8456 series  
/ 97-102 /



SL5550 series  
/ 103-108 /



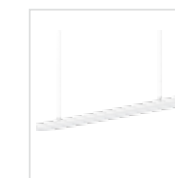
SL10075 series  
/ 109-114 /



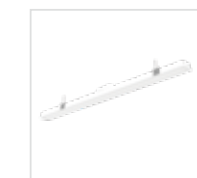
SL11070 series  
/ 115-120 /



SL4932 series  
/ 121-126 /



SL4040 series  
/ 127-132 /



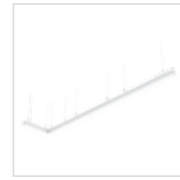
RL7035 series  
/ 133-138 /



## LED Linear light



RL13054 series  
/ 139-144 /

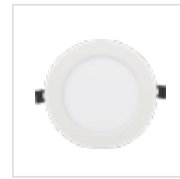


RL8456 Series  
/ 145-150 /

## LED Downlight



DISC series  
/ 153-158 /



5CCT tunable slim  
wafer light series  
/ 159-164 /



Commercial downlight  
/ 165-170 /



HAT series  
/ 171-176 /



5CCT adjustable  
downlight HTB series  
/ 177-182 /



5CCT adjustable  
downlight DL207 series  
/ 183-188 /



Smart bluetooth series  
/ 189-194 /



Flush mount series  
/ 195-198 /



3CCT tunable slim  
downlight  
/ 199-202 /



Ultra-thin downlight  
DL101 series  
/ 203-206 /



Ultra-thin downlight  
DL102 series  
/ 207-210 /



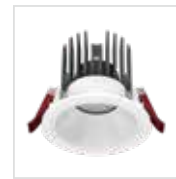
Dolux series  
/ 211-216 /



Gimble series  
/ 217-222 /



Hotel downlight  
CL202 series  
/ 223-226 /



Hotel downlight  
CL101 series  
/ 227-230 /



Hotel downlight  
CL201 series  
/ 231-234 /



Hotel downlight  
CL301 series  
/ 235-238 /



COB LED downlight  
DL105 series  
/ 239-242 /



IP64 waterproof downlight  
CL103 series  
/ 243-246 /



Novel appearance  
downlight CL104 series  
/ 247-250 /



UGR<10 downlight  
CL105/106/107 series  
/ 251-254 /



Narrow frame downlight  
CL108 series  
/ 255-258 /



IP65 waterproof downlight  
/ 259-262 /



LED grill light  
/ 263-266 /



LED track light  
/ 267-270 /

## LED Cabinet light



LED cabinet light  
ultra-thin series  
/ 273-278 /

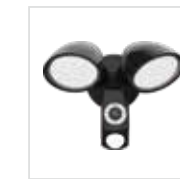


LED cabinet light  
5CCT tunable series  
/ 279-284 /

## LED Security light & Portable light



Camera motion  
security lights  
SEC101P series  
/ 287-292 /



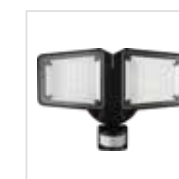
Camera motion  
security lights  
SECA1 series  
/ 293-298 /



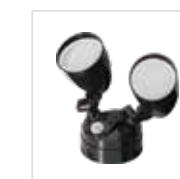
Camera motion  
security lights  
SEC401P series  
/ 299-304 /



LED motion  
security lights  
SEC401S series  
/ 305-310 /



LED motion  
security lights  
SEC101S series  
/ 311-316 /



Security III series  
/ 317-322 /



Security II series  
/ 323-328 /



Portable utility light  
Solar rechargeable series  
/ 331-336 /



Portable utility light  
III series  
/ 337-342 /



Portable utility light  
II series  
/ 343-348 /



# LED Panel Light

LED Panel Light can perfectly replace traditional downlight. Using Light Guide Plate, it has the feature of uniform and smooth light beam, low glare rating, low light pollution, and excellent protection from eyestrain. It can be widely used as interior lighting in shops, supermarkets, malls and hospitals, etc

<b>CE</b>	3CCT loures light		P03-08	
<b>CE</b>	Smart panel light		P09-14	
<b>CE</b>	PIR sensor panel light		P15-20	
<b>UL</b>	Wattage adjustable & 3CCT tunable series	Edge-lit series		P21-26
		Back-lit series		P27-32
<b>CE</b>	3CCT tunable series		P33-38	
<b>CE</b>	<b>ETL</b> Super slim back-lit series		P39-44	
<b>CE</b>	<b>UL</b> Super slim edge-lit series		P45-54	
<b>CE</b>	IP65 waterproof series		P55-60	
<b>CE</b>	FLOAT series round suspending panel light		P61-64	



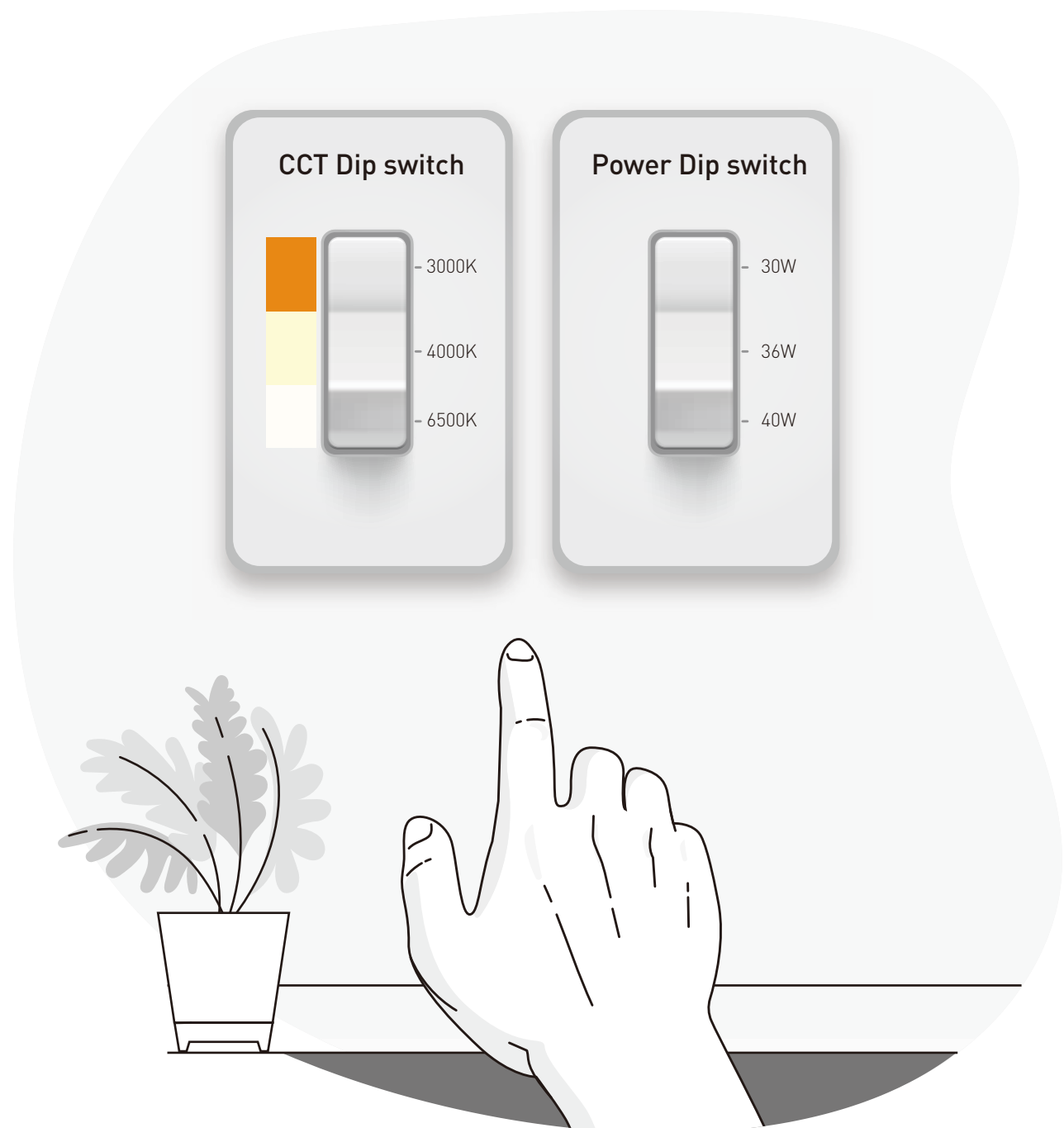
# 3CCT louvres light

## GLM series

The product has simple appearance, soft light, and uniform luminance. The lighting effect includes diffusion type and grille type, with adjustable color temperature through dip switch, widely used in office buildings, factories, department stores and other indoor sites.

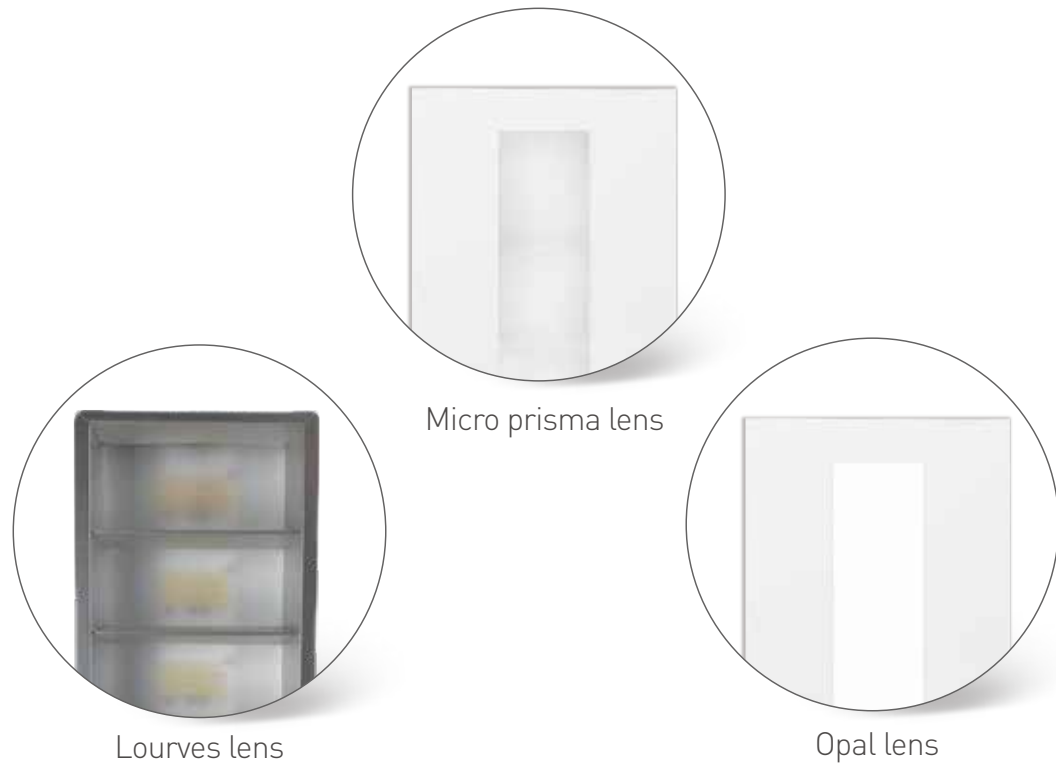
### Three CCT and three power adjustable

Three CCT and three power adjustable, save stock cost.



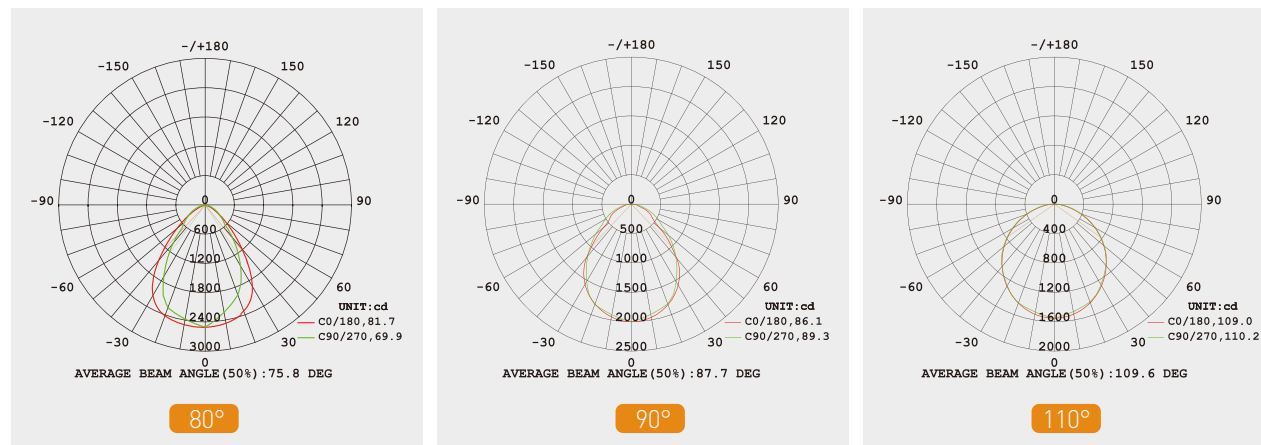
## Three lens optional

Three lens version for optional: louveres lens, opal lens and micro prisma lens.



## Three beam angles

Three beam angles: 80° (louveres version) / 90° (micro prisma version) / 110° (opal version)



## High-quality aluminum profile

Aluminum lattice adopts high-quality aluminum profile.



## Integrated molding process

The frame adopts iron frame, integrated molding process and stronger structure.

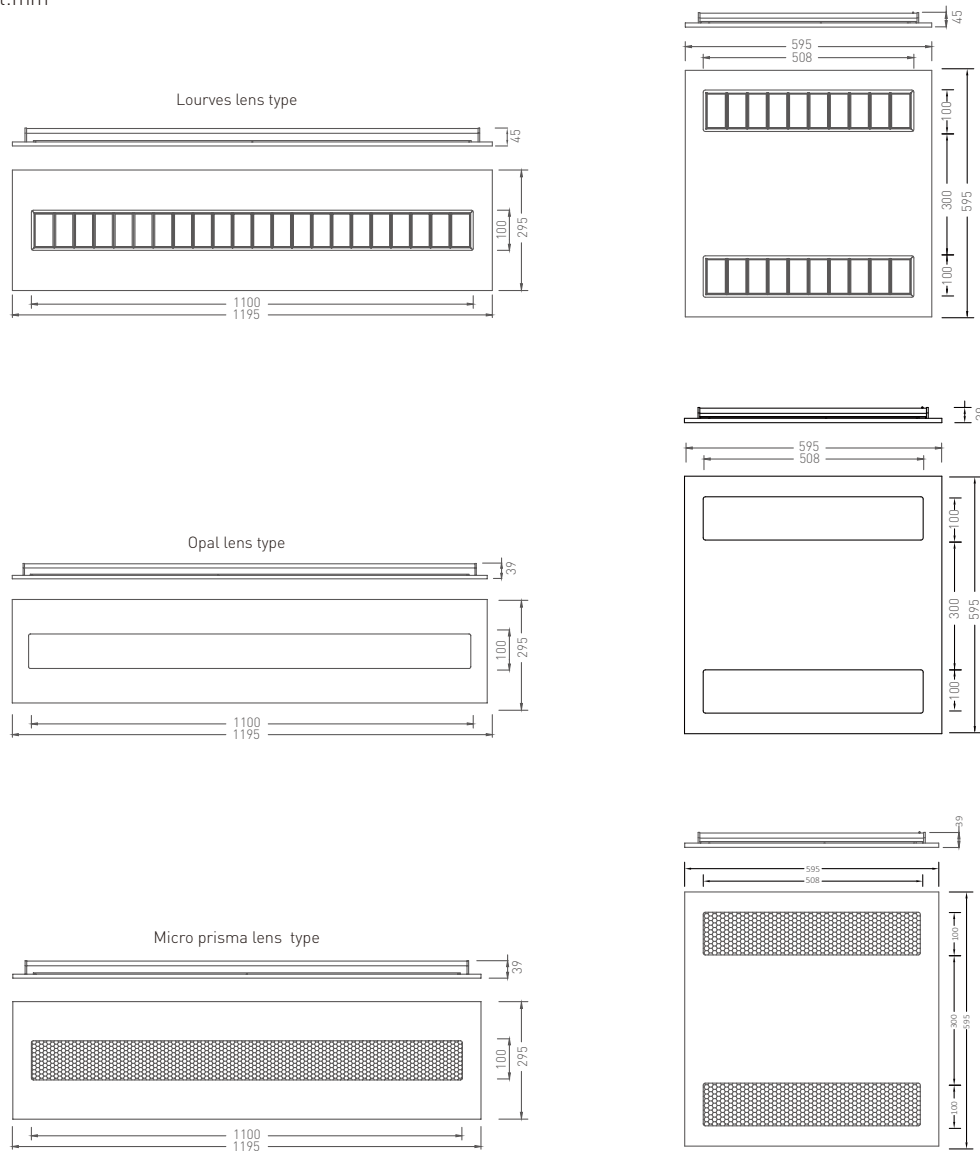


# Parameters CE for EU



Product name	Color	Power	Beam angle(°)	LEDs type	CRI	PF	Voltage
595*595mm	3000K-4000K-6500K	30/36/40W	80°/90°/120°	SMD2835	Ra>80	>0.9	220-240VAC 50/60Hz
295*1195mm	3000K-4000K-6500K	30/36/40W	80°/90°/120°	SMD2835	Ra>80	>0.9	220-240VAC 50/60Hz

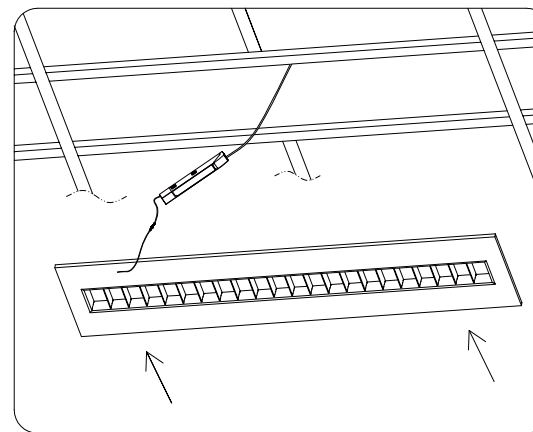
Unit:mm



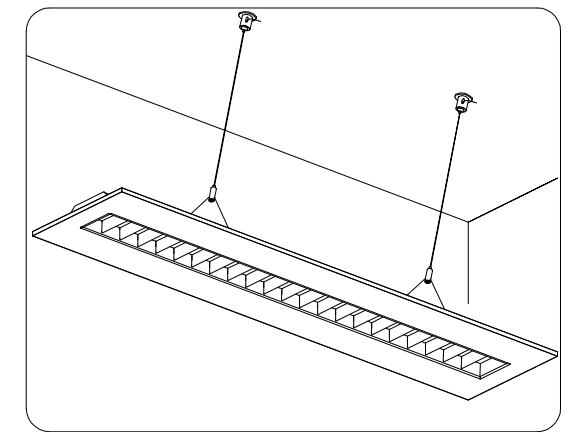
## Package

Product size	Inner size	Carton size	Pack Quantity	Net weight	Gross weight
595*595mm	635*638*71mm	655*385*660mm	5PCS	3.1 kg	19.8 kg
295*1195mm	1235*364*71mm	1255*385*385mm	5PCS	3.1 kg	20.5 kg

## Installation

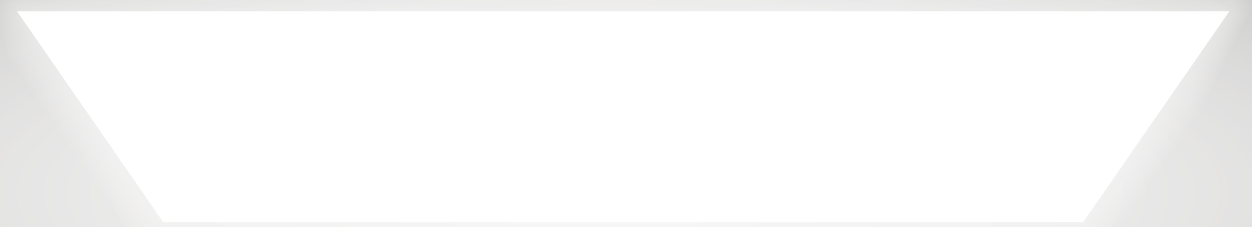
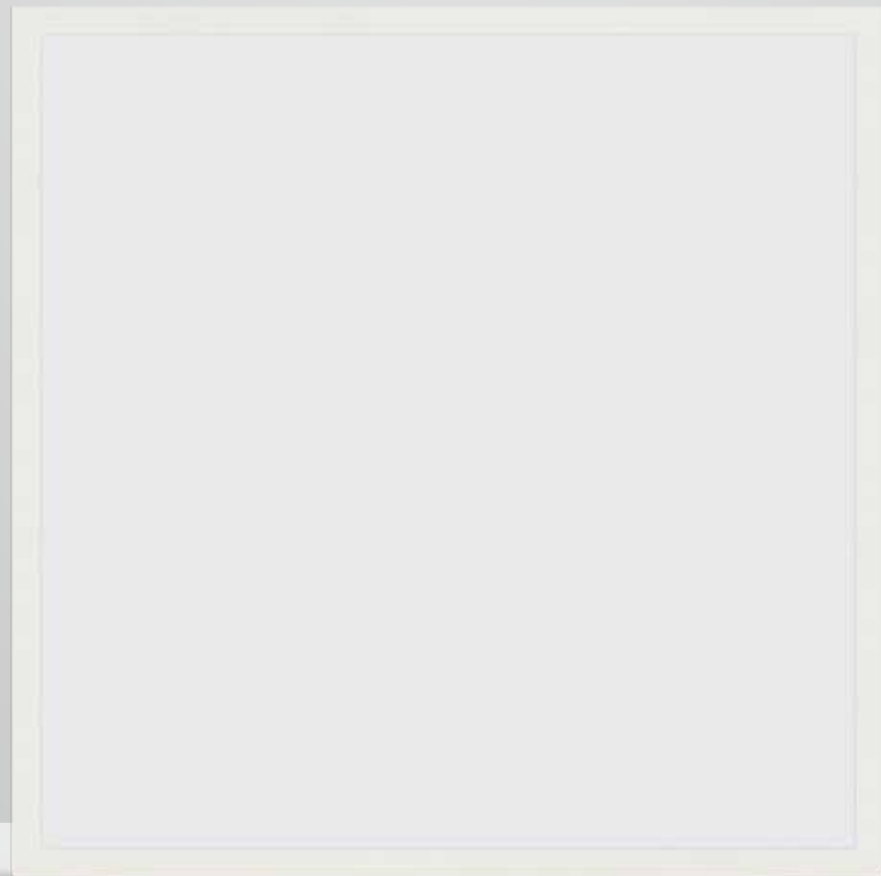


Embedded Installation



Suspension Installation

# Smart panel light



## Different smart control methods

Connect bluetooth and WIFI to control the lights.



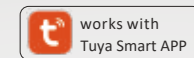
APP control



Voice control



Group control



works with  
Tuya Smart APP

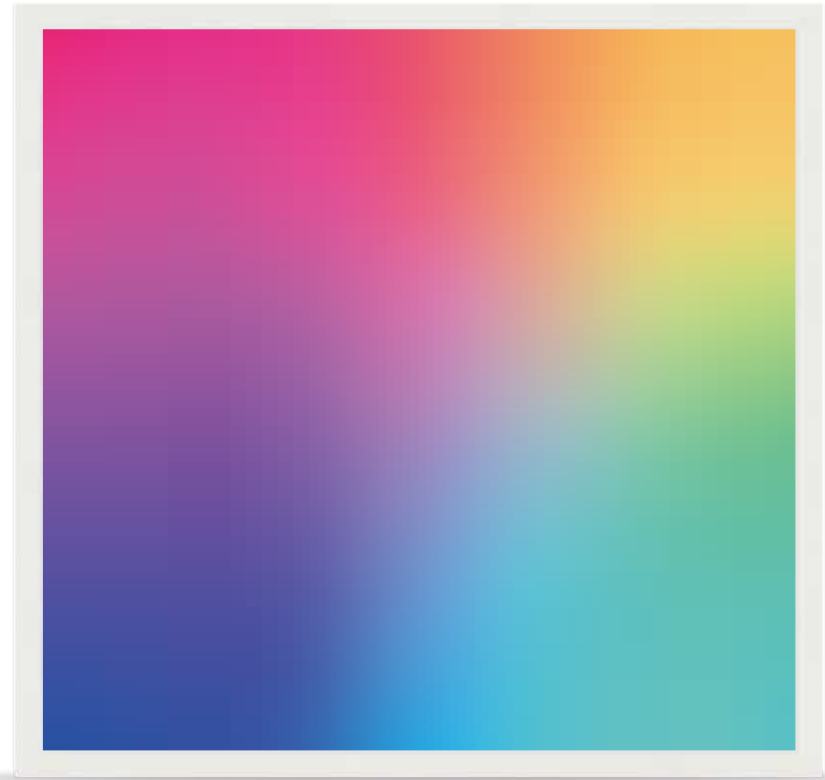


works with  
Amazon alexa



works with  
Google Assistant





## Never yellowing, long lifespan

LEDs covered with lens, never turn dark or yellowish at the middlepart.

## Processed by electrostatic dusting

Bottom of the back cover is produced by stamping structure, which can effectively guarantee the appearance of the product, the surface is processed by electrostatic dusting.

## Energy savings of up to 90%

Energy-saving percentage (compared with traditional type)  
With energy savings of up to 90% than incandescent light.



## DIY colors + CCT adjustment

The smart panel light supports warm white and cool white from 3000K to 6500K, and R,G,B mixed colors, totally can provide 16 million different colors.

16 Million Colors

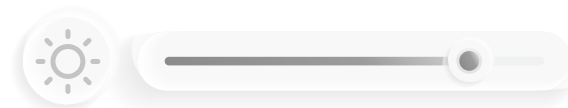


Warm White to Daylight



## Brightness adjustment

5%-100% smooth dimming, infinitely switchable.



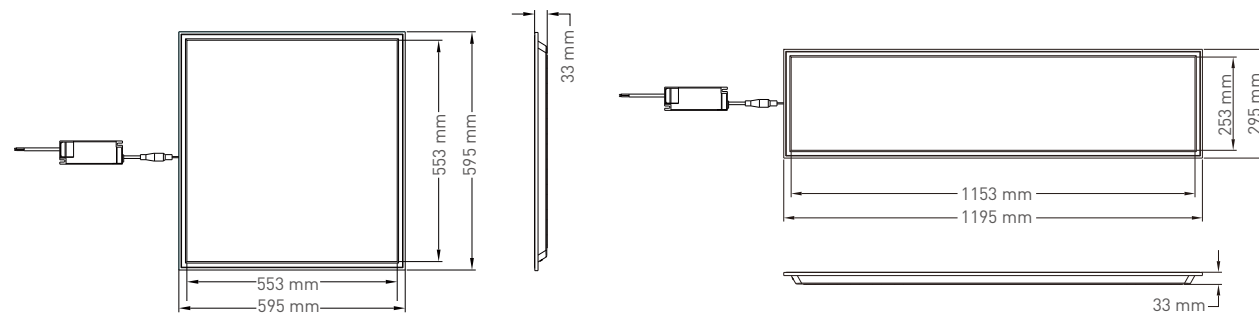
# Parameters CE for EU



## 100LPW Series

Product name	Color	Power	Beam angle(°)	LEDs type	CRI	PF	Voltage
595*595mm	6000-6500K	36W	110°	SMD2835	Ra>80	>0.9	220-240VAC 50/60Hz
	3000-3300K	36W					
	Red	5W					
	Green	4.5W					
	Blue	4.5W					
	RGB	7W					
295*1195mm	6000-6500K	36W	110°	SMD2835	Ra>80	>0.9	220-240VAC 50/60Hz
	3000-3300K	36W					
	Red	5W					
	Green	4.5W					
	Blue	4.5W					
	RGB	7W					

Unit:mm



## Package

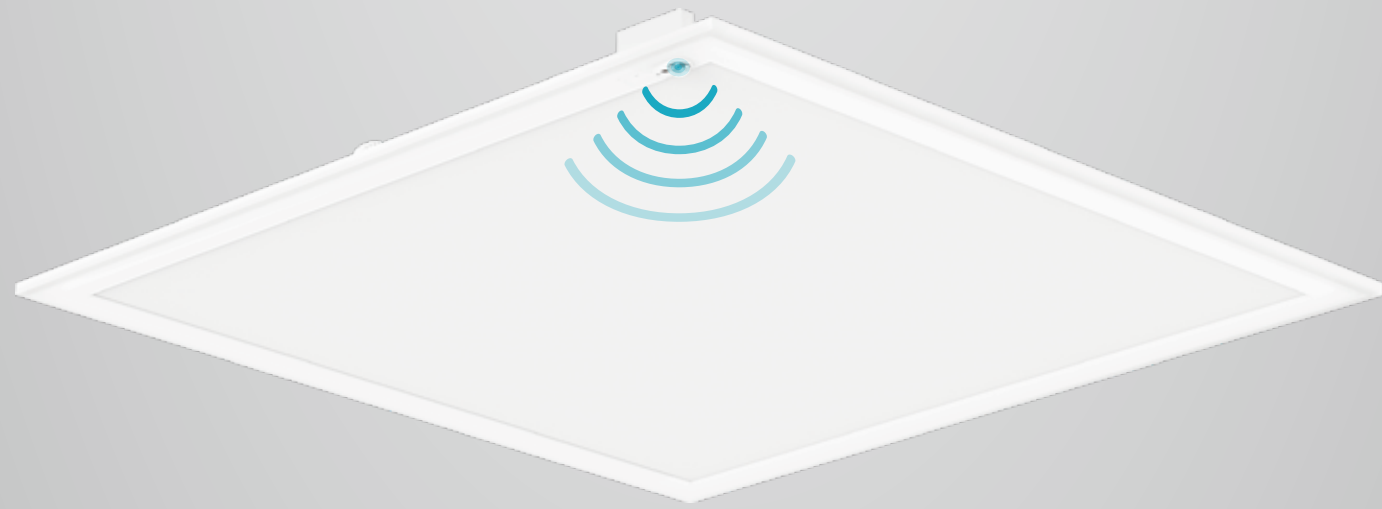
Product size	Inner size	Carton size	Pack Quantity	Net weight	Gross weight
595*595mm	650*650*50mm	675*675*275mm	5PCS	1.8 kg	12.5 kg
295*1195mm	1250*330*50mm	1275*355*275mm	5PCS	1.85 kg	12.8 kg



## Application

Suitable for hotels, meeting rooms, factories, offices, commercial purposes, residential, institution buildings, schools, hospitals, etc.





# PIR sensor panel light

## edge-lit series

PIR sensor panel light, with beautiful and generous appearance, and PIR sensor, realizes intelligent power reduction. Sensor can be easily disassembled and assembled due to the structural design, so customers can choose and match freely.

### Optional sensor and non-sensor.

Customers can choose sensor or non-sensor, easy to switch.

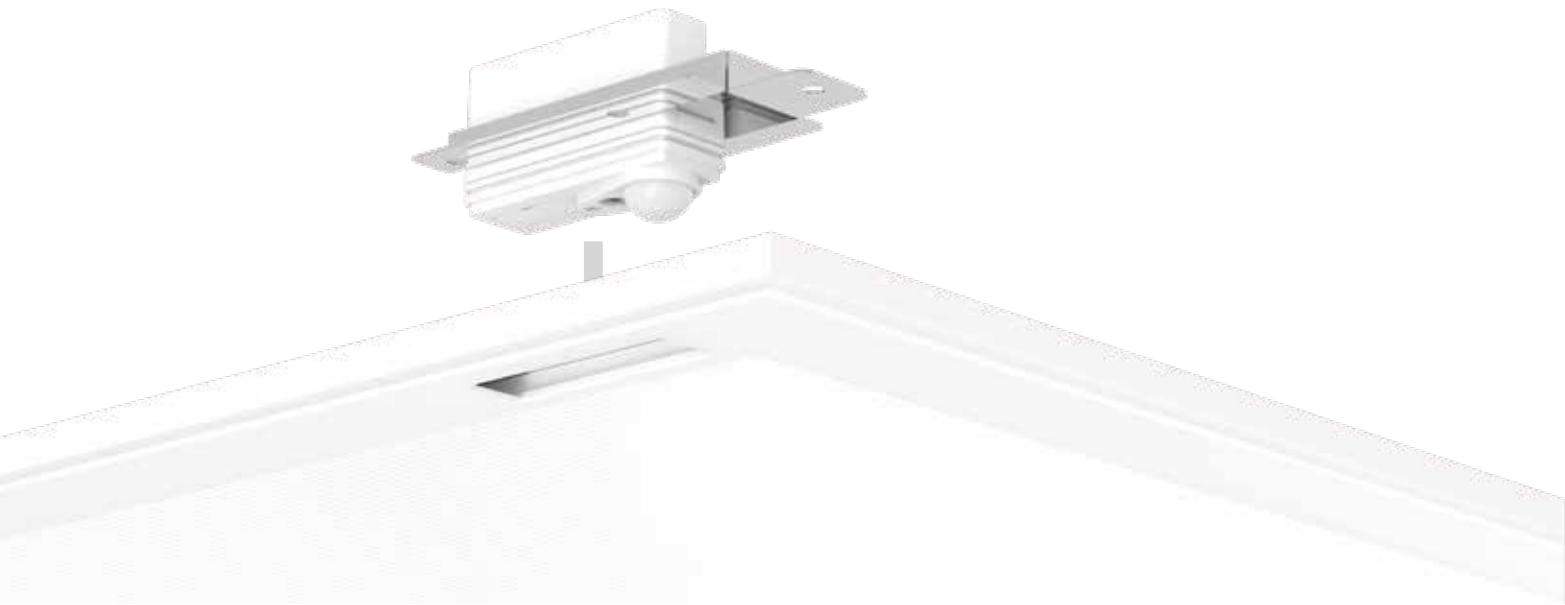


PIR sensor



Non-sensor





## High-efficient thermal design

High-efficient thermal management design, LEDs and power supply work in low temperature, high stability of continuous working.



## Easy sensor installation

It's easy to switch between sensor and non-sensor because of the upper and lower clamping structure and notches on both ends of the cover.

## Anti-yellowing

PMMA LGP, Edge-lit structure, more uniform and softer light.

## Intelligent control

The IR remote control can be used for light setting.

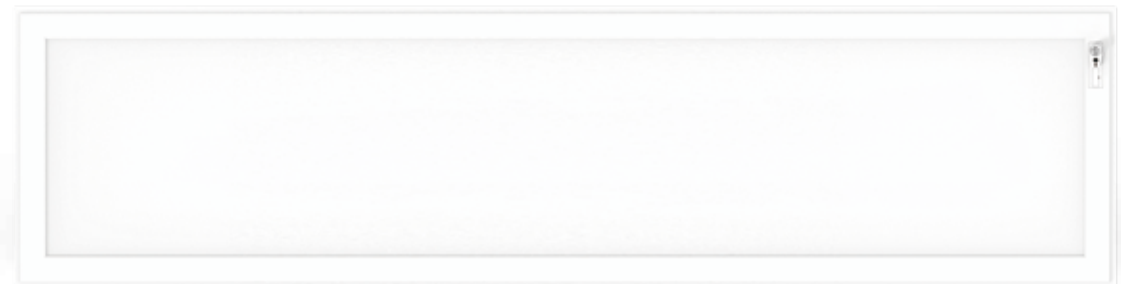


## RAL9003 white lamp body

RAL9003 white lamp body, modern and simple design.

## Daylight harvesting function

Intelligently lower the power to ensure the constant lux, power saving.

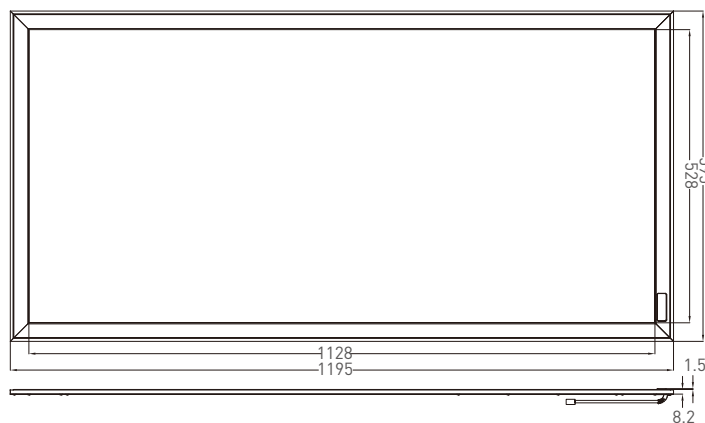
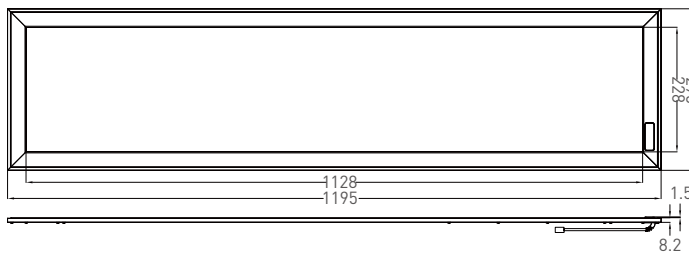
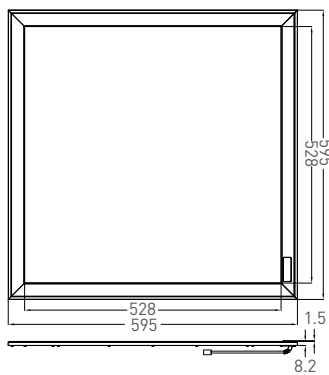


# Parameters



Product size	CCT	Lumen(lm)	Beam angle(°)	LEDs type	CRI	PF	Power(W)	Voltage
595*595mm	6000-6500K	4000	110°	SMD4014	Ra>80	>0.9	40W	220-240VAC 50/60Hz
	3800-4200K	4000						
	2800-3200K	3600						
295*1195mm	6000-6500K	4000	110°	SMD4014	Ra>80	>0.9	40W	220-240VAC 50/60Hz
	3800-4200K	4000						
	2800-3200K	3600						
595*1195mm	6000-6500K	5000	110°	SMD4014	Ra>80	>0.9	50W	220-240VAC 50/60Hz
	3800-4200K	5000						
	2800-3200K	4500						

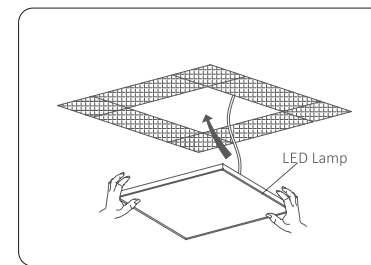
Unit:mm



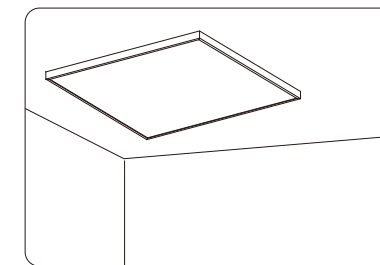
# Package

Product size	Inner size	Carton size	Pack Quantity	Net weight	Gross weight
595*595mm	680*636*38mm	715*650*285mm	1 PC/inner box 6 inner boxes/carton	2.40 kg	18.12 kg
295*1195mm	1235*380*38mm	1250*285*415mm	1 PC/inner box 6 inner boxes/carton	2.61 kg	19.67 kg
595*1195mm	1254*694*42mm	1275*110*715mm	2 PC/inner box 2 inner boxes/carton	4.66 kg	23.64 kg

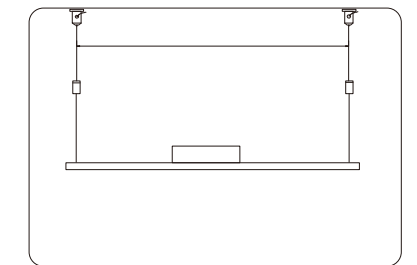
# Installation



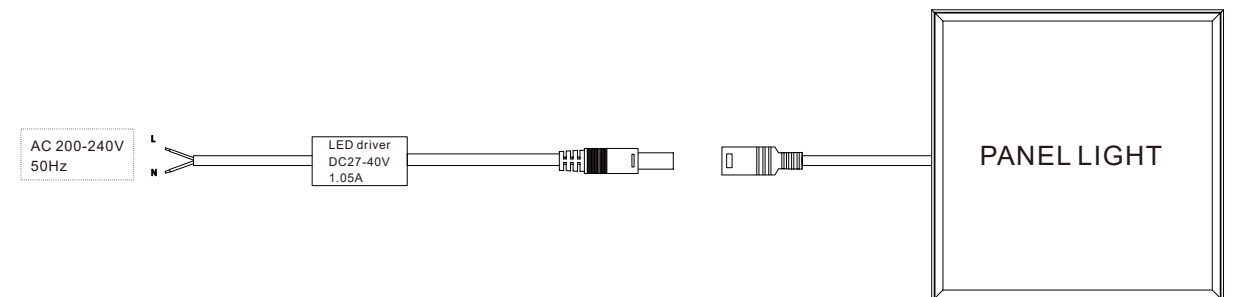
Embedded Installation

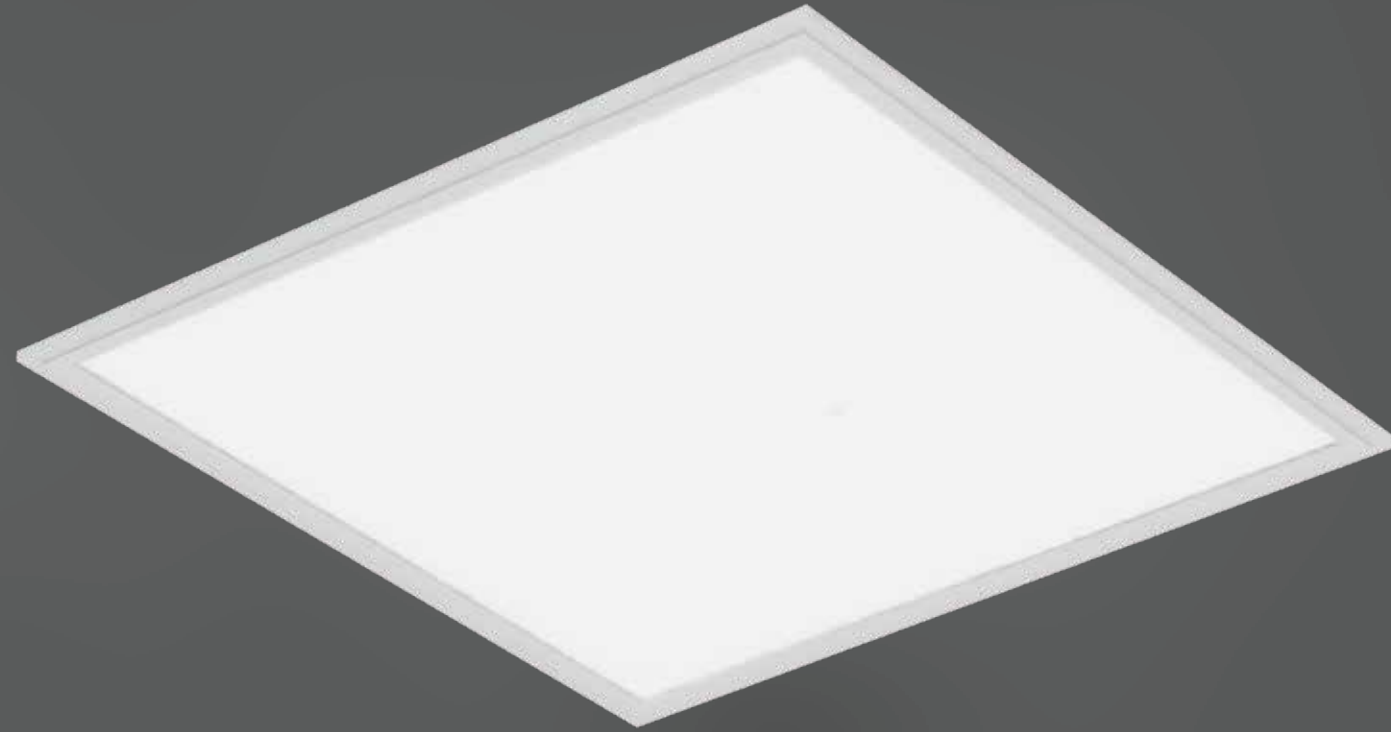


Surface Installation



Suspension Installation





# Wattage adjustable & 3CCT tunable panel light

Edge-lit series

It is the latest new generation of edge-lit lighting fixture, which has the uniform and smooth lighting effect and elegant appearance design. Each fixture is 15 SKUS in 1 unit design, so the users can easily set the wattage and color temperature that they want.

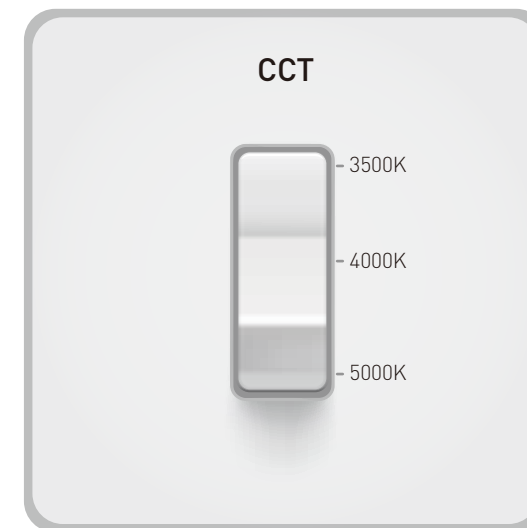
## Power adjustable

Simply open the driver cover, you can set the different current by dialing the buttons inside the driver, power adjustment 20W-60W.



## Color tunable

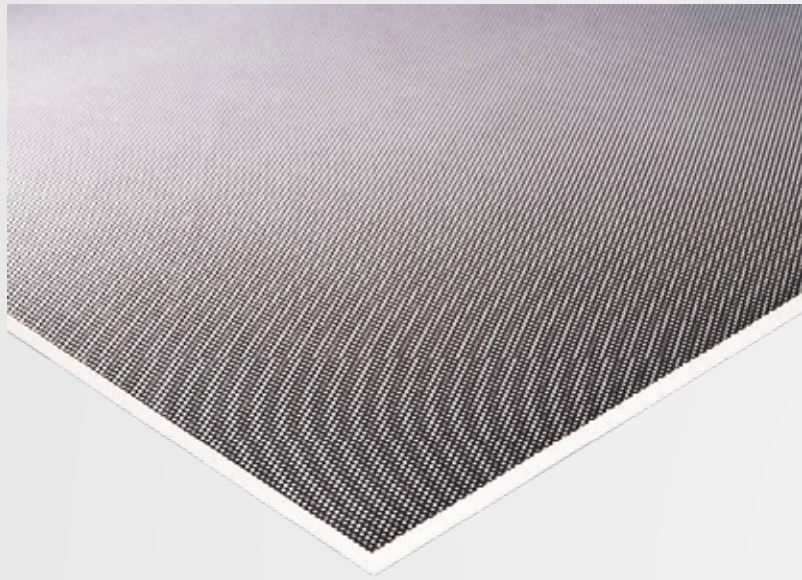
Adjust the 3-position slide switch with your fingers for different color temperature, color temperature setting: 3500K, 4000K, 5000K.



transmission  
**>90%**

## High transmission LGP

High transmission LGP (more than 90%), high lumen LED efficacy paired with high power factor drivers.



uniformity  
**>85%**

## Visual uniformity

Using high quality LGP with silk printing technology, the light uniformity rate is greater than 85%. No yellow edge and dark area, perfect lighting effect.



## High efficiency up to 130LPW

High efficiency up to 130LPW, different versions available.



## 3-in-1 dimming

3-in-1 dimming mode:0-10V, PWM, Rx. Smoothly dimming 0-100%,can dim to off.

## Flicker free LED driver

Constant current design, PF>0.9,THD<15%.



## 1KV surge protection

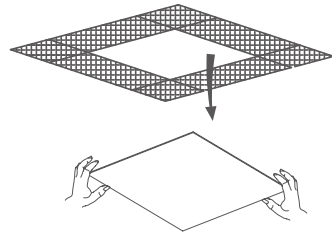
Short circuit, open circuit protection,and 1KV surge protection.



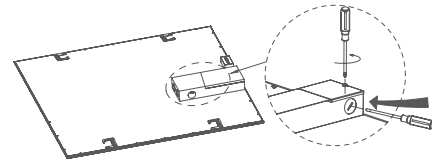
# Installation

Each panel with standard clips for recessed and suspending installation. Optional surface mounted kit available.

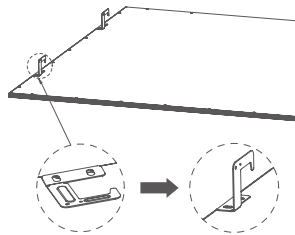
1. Drill Holes



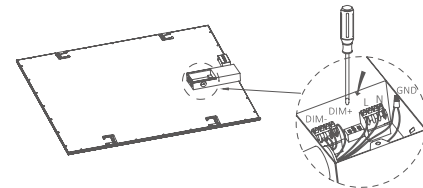
2. Open the power supply



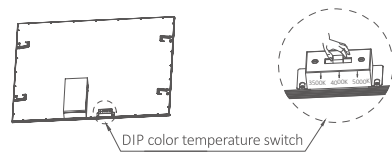
3. Rotate the hook



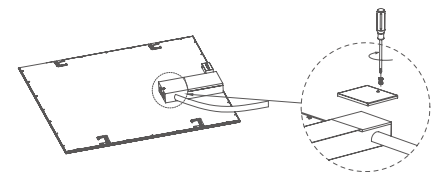
4. Connect the input wire and fix cover of power supply



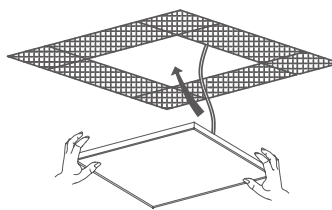
5. Swipe the DIP switch on the back to position of corresponding color temperature



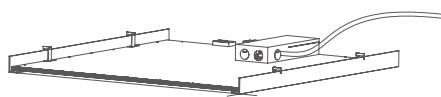
6. Top cover of power supply



7. Put the lamp into the ceiling



8. Finish installation



# Parameters



## 105LPW series

Product size	CCT	Power(W)	LEDs type	CRI	Voltage	Color tunable selectable way
2*2FT	3500K-4000K-5000K	20W/25W/30W/35W/40W	SMD4014	Ra>80	100-277VAC 50/60Hz	DIP switch
1*4FT	3500K-4000K-5000K	20W/25W/30W/35W/40W	SMD4014	Ra>80	100-277VAC 50/60Hz	DIP switch
2*4FT	3500K-4000K-5000K	30W/35W/40W/45W/50W	SMD4014	Ra>80	100-277VAC 50/60Hz	DIP switch
2*4FT	3500K-4000K-5000K	40W/45W/50W/55W/60W	SMD4014	Ra>80	100-277VAC 50/60Hz	DIP switch
2*2FT	3500K-4000K-5000K	20W/25W/30W/35W/40W	SMD4014	Ra>80	100-277VAC 50/60Hz	Wall switch 0-10V dimmer
1*4FT	3500K-4000K-5000K	20W/25W/30W/35W/40W	SMD4014	Ra>80	100-277VAC 50/60Hz	Wall switch 0-10V dimmer
2*4FT	3500K-4000K-5000K	30W/35W/40W/45W/50W	SMD4014	Ra>80	100-277VAC 50/60Hz	Wall switch 0-10V dimmer
2*4FT	3500K-4000K-5000K	40W/45W/50W/55W/60W	SMD4014	Ra>80	100-277VAC 50/60Hz	Wall switch 0-10V dimmer

## 130LPW series

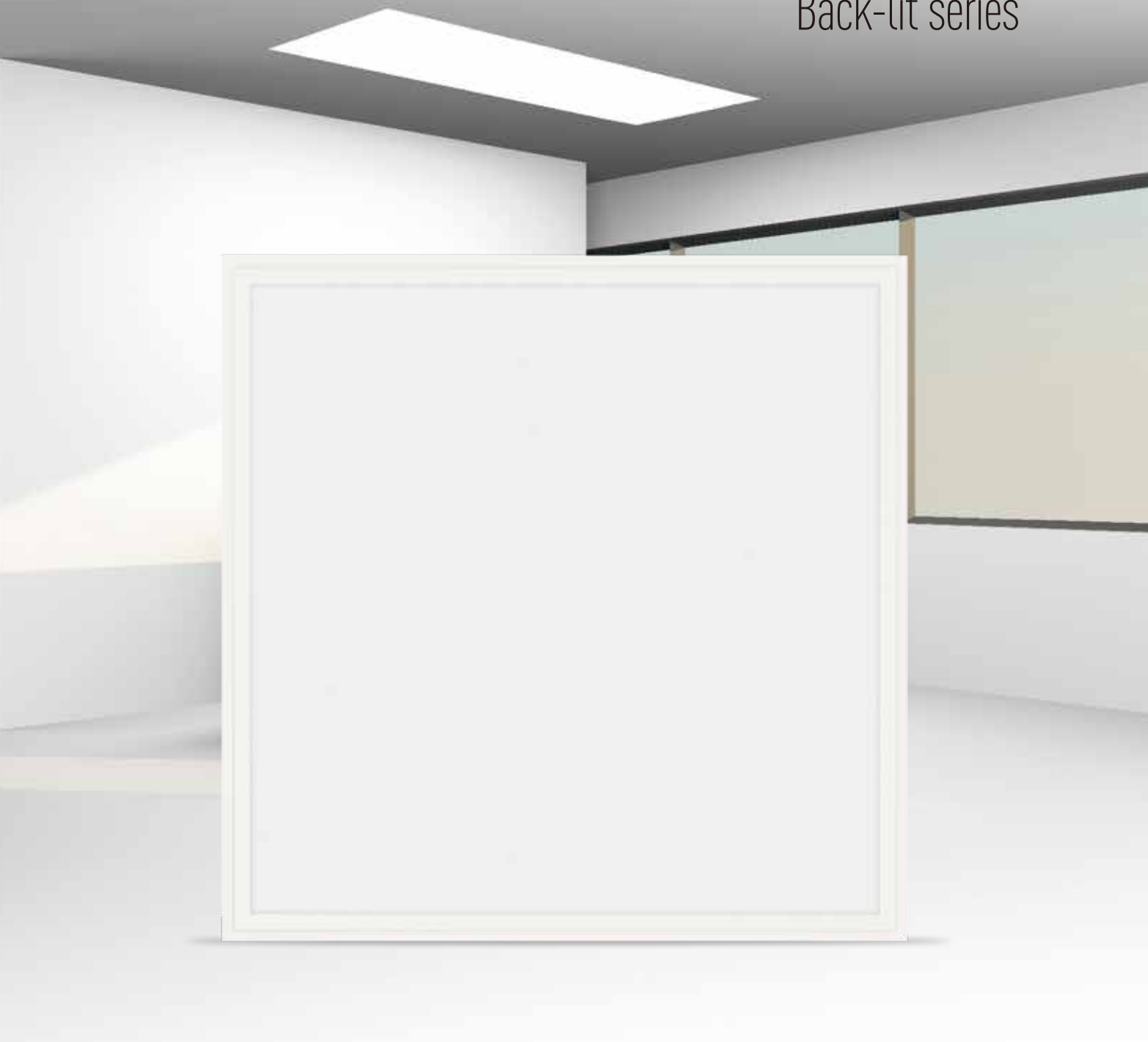
Product size	CCT	Power(W)	LEDs type	CRI	Voltage	Color tunable selectable way
2*2FT	3500K-4000K-5000K	20W/25W/30W/35W/40W	SMD4014	Ra>80	100-277VAC 50/60Hz	DIP switch
1*4FT	3500K-4000K-5000K	20W/25W/30W/35W/40W	SMD4014	Ra>80	100-277VAC 50/60Hz	DIP switch
2*4FT	3500K-4000K-5000K	30W/35W/40W/45W/50W	SMD4014	Ra>80	100-277VAC 50/60Hz	DIP switch
2*4FT	3500K-4000K-5000K	40W/45W/50W/55W/60W	SMD4014	Ra>80	100-277VAC 50/60Hz	DIP switch
2*2FT	3500K-4000K-5000K	20W/25W/30W/35W/40W	SMD4014	Ra>80	100-277VAC 50/60Hz	Wall switch 0-10V dimmer
1*4FT	3500K-4000K-5000K	20W/25W/30W/35W/40W	SMD4014	Ra>80	100-277VAC 50/60Hz	Wall switch 0-10V dimmer
2x4FT	3500K-4000K-5000K	30W/35W/40W/45W/50W	SMD4014	Ra>80	100-277VAC 50/60Hz	Wall switch 0-10V dimmer
2x4FT	3500K-4000K-5000K	40W/45W/50W/55W/60W	SMD4014	Ra>80	100-277VAC 50/60Hz	Wall switch 0-10V dimmer

# Package

Product size	Inner size	Carton size	Pack Quantity	Net weight	Gross weight
2*2FT	25.55*25.47*4.25inch	26.38*26.57*9.45inch	2 PCS/inner box 2 inner boxes/carton	6.61 lb	33.07 lb
1*4FT	49.45*13.74*4.25inch	50.39*9.45*14.76inch	2 PCS/inner box 2 inner boxes/carton	6.61 lb	37.48 lb
2*4FT	49.41*25.47*3.7inch	50.79*26.77*8.66inch	2 PCS/inner box 2 inner boxes/carton	13.23 lb	61.73 lb

# Wattage adjustable & 3CCT tunable flat panel light

Back-lit series



## Wattage adjustable

One piece wattage adjustable and color tunable panel light=9 pcs regular panel light now, it can save the shipping time, warehouse space and your stock cost.

2\*2Feet: 26W/30W/40W  
1\*4Feet: 26W/30W/40W  
2\*4Feet: 30W/40W/50W

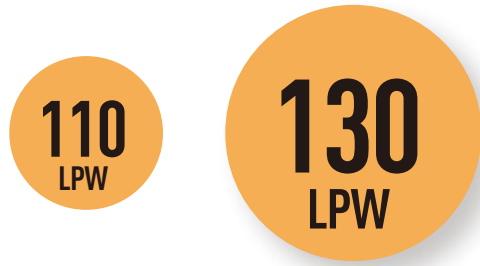
## Color tunable

Color temperature setting: 3500K, 4000K, 5000K



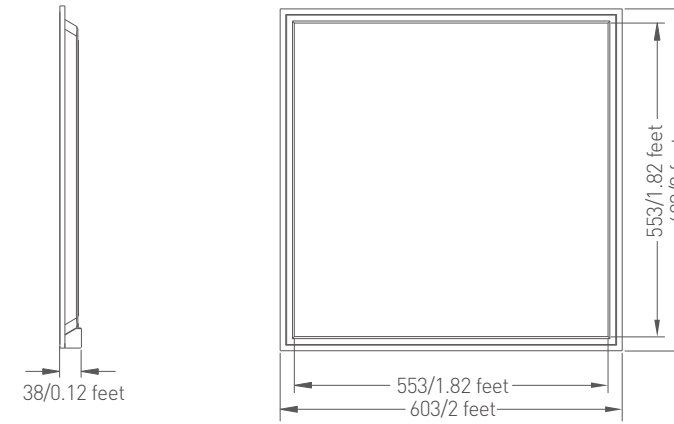
## High efficiency

High transmission back-lit (more than 85%), high lumen LED efficacy paired with high power factor drivers.

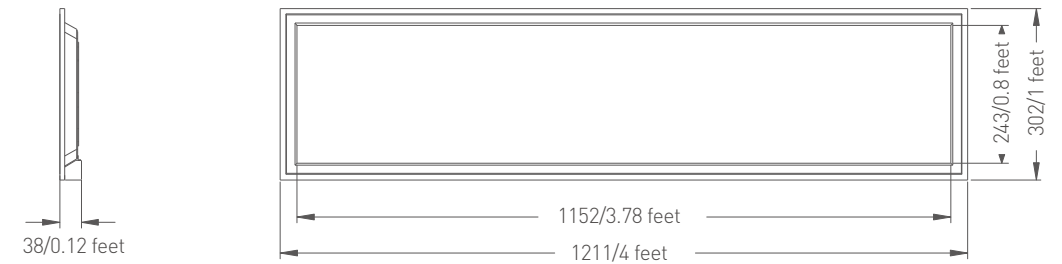


## Dimensions (unit: mm/feet)

### 2 \* 2 feet



### 1 \* 4 feet



### 2 \* 4 feet





# Parameters



## 110LPW Series

Product size	CCT	Lumen(lm)	Beam angle(°)	LEDs type	CRI	PF	Power(W)	Voltage
2*2FT	5000K 4000K 3500K	2860/3300/4400	110°	SMD2835	Ra >80	>0.95	26/30/40W	100-277VAC 50/60Hz
1*4FT	5000K 4000K 3500K	2860/3300/4400	110°	SMD2835	Ra >80	>0.95	26/30/40W	100-277VAC 50/60Hz
2*4FT	5000K 4000K 3500K	3300/4400/5500	110°	SMD2835	Ra >80	>0.95	30/40/50W	100-277VAC 50/60Hz

## 130LPW Series

Product size	CCT	Lumen(lm)	Beam angle(°)	LEDs type	CRI	PF	Power(W)	Voltage
2*2FT	5000K 4000K 3500K	3380/3900/5200	110°	SMD2835	Ra >80	>0.95	26/30/40W	100-277VAC 50/60Hz
1*4FT	5000K 4000K 3500K	3380/3900/5200	110°	SMD2835	Ra >80	>0.95	26/30/40W	100-277VAC 50/60Hz
2*4FT	5000K 4000K 3500K	3900/5200/6500	110°	SMD2835	Ra >80	>0.95	30/40/50W	100-277VAC 50/60Hz

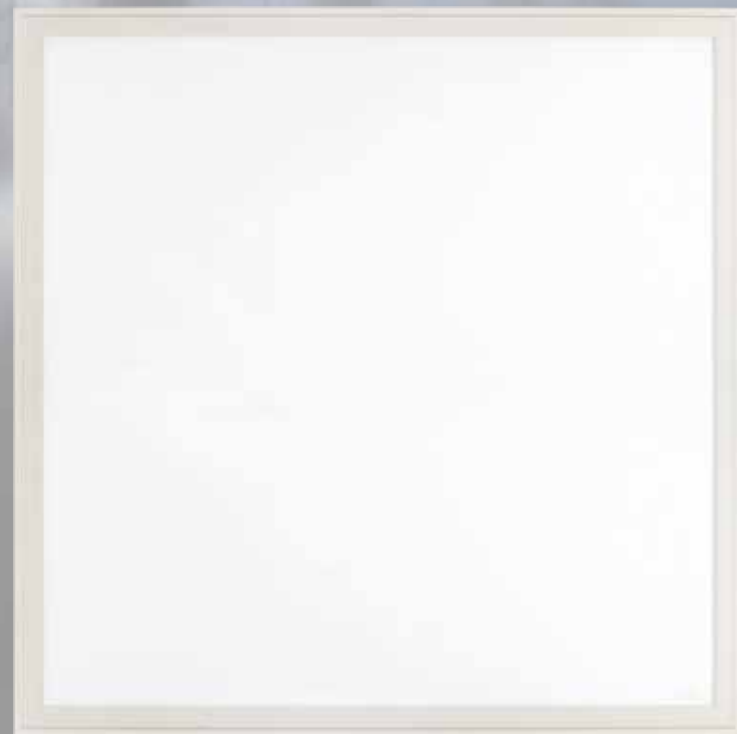
## Package

Product size	Inner size	Carton size	Pack Quantity	Net weight	Gross weight
2*2FT	25.6*25.5*4.3inch	26.4*26.6*9.4inch	2 PCS/inner box 2 pcs/carton	6.6 lb	33.1 lb
1*4FT	49.4*13.7*4.3inch	50.4*14.8*9.4inch	2 PCS/inner box 2 pcs/carton	6.6 lb	37.5 lb
2*4FT	49.4*25.5*3.7inch	50.8*26.8*8.7inch	2 PCS/inner box 2 pcs/carton	13.2 lb	61.7 lb



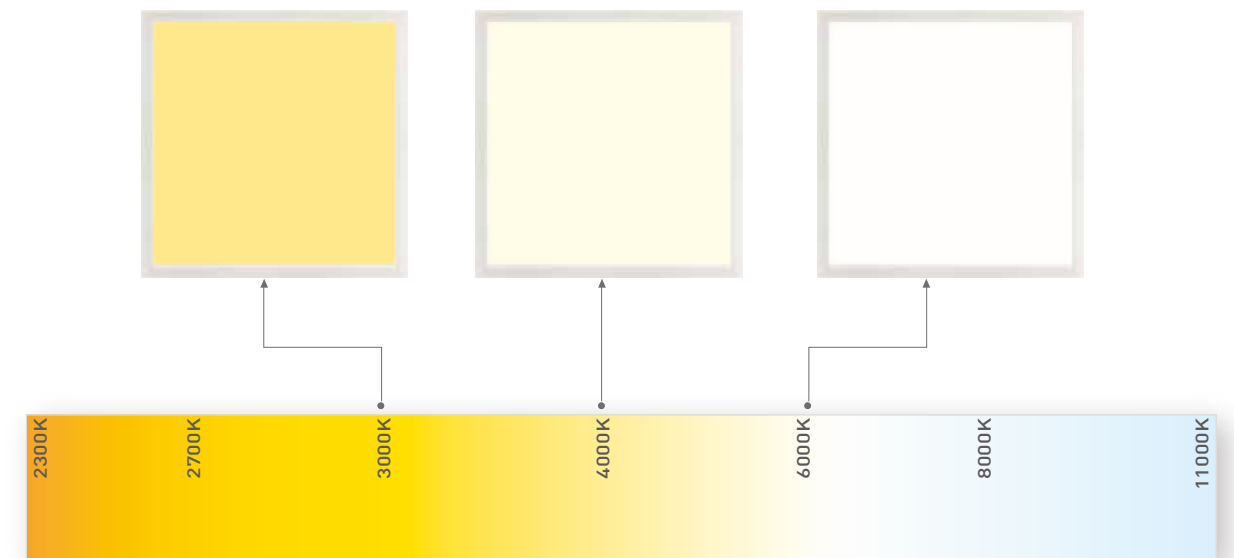
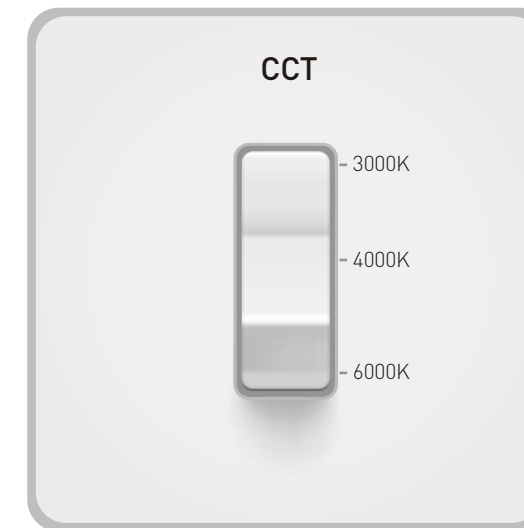
# 3CCT tunable series

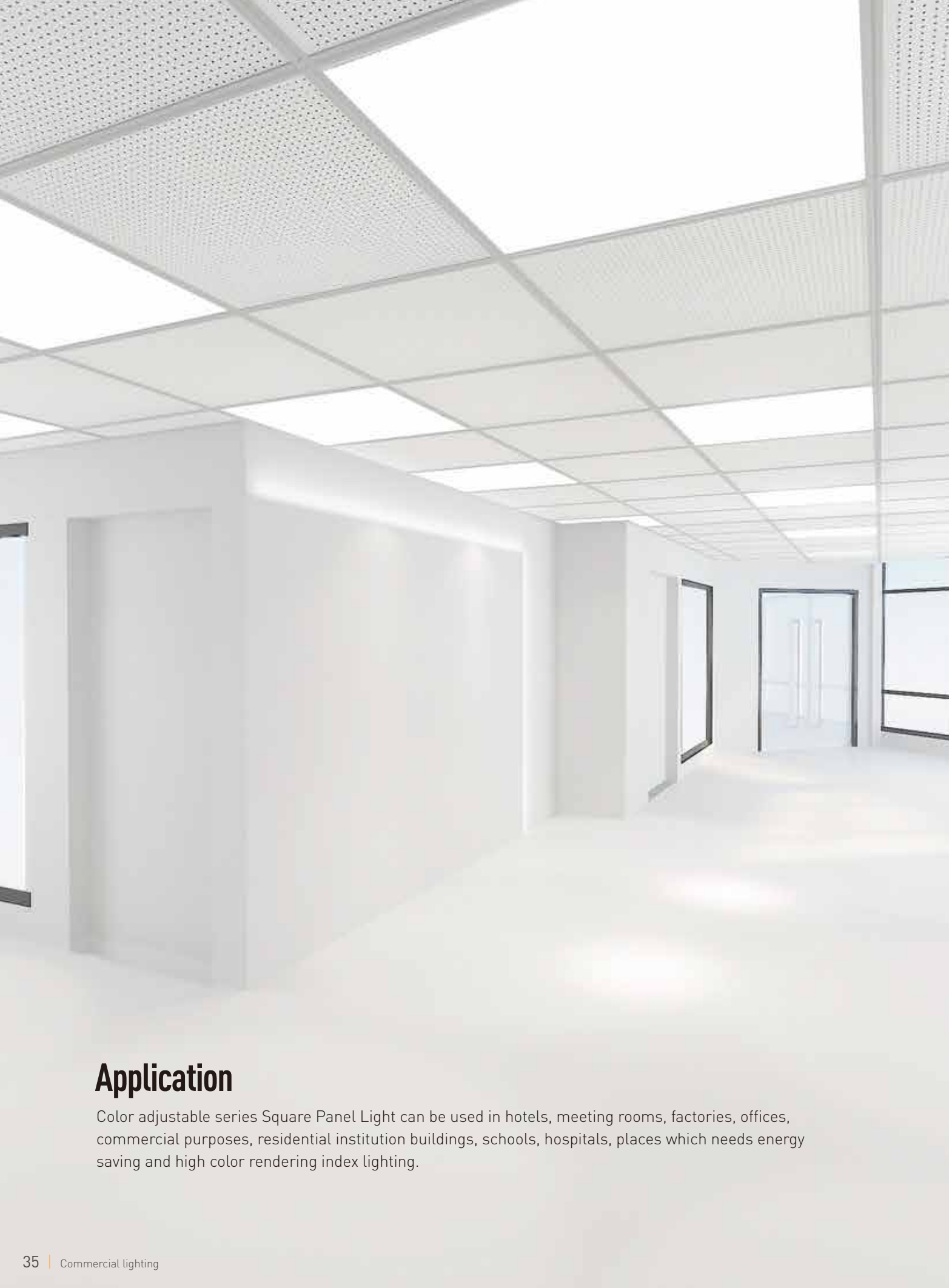
LED panel light is the latest new generation of edge-lit lighting fixture, which has the uniform and smooth lighting effect and elegant appearance design. Each fixture is 3 SKUS in 1 unit design, so the users can easily set the wattage and color temperature that they want.



## CCT tunable

Adjust the 3-position slide switch with your fingers for different color temperature, color temperature setting: 3000K, 4000K, 6000K.





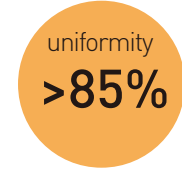
## Application

Color adjustable series Square Panel Light can be used in hotels, meeting rooms, factories, offices, commercial purposes, residential institution buildings, schools, hospitals, places which needs energy saving and high color rendering index lighting.



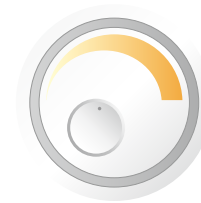
## High transmission LGP

High transmission LGP (more than 90%), high lumen LED efficacy paired with high power factor drivers.



## Flicker free LED driver

Constant current design, PF>0.9, THD<15%.

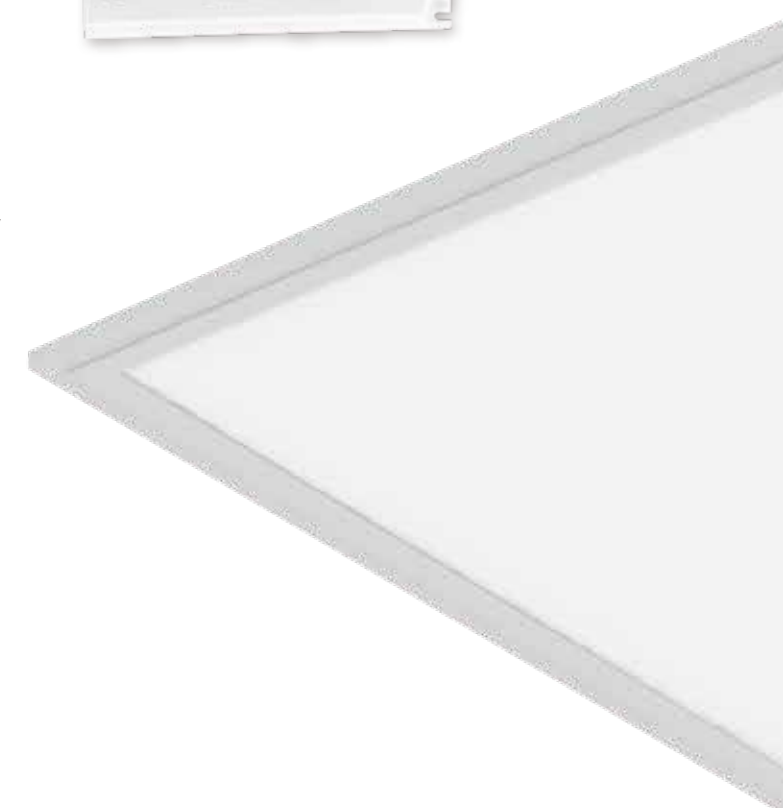


## 3-in-1 dimming

3-in-1 dimming mode:0-10V, PWM, Rx. Smoothly dimming 0-100%, can dim to off.

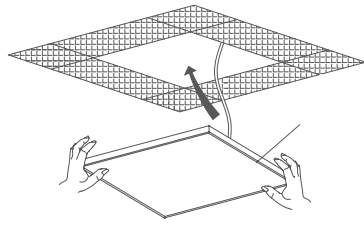
## 1KV surge protection

Short circuit, open circuit protection, and 1KV surge protection.

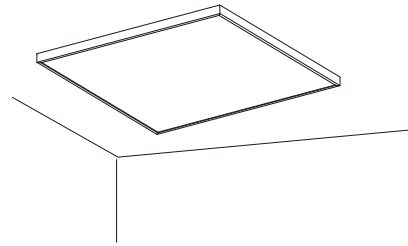


# Installation

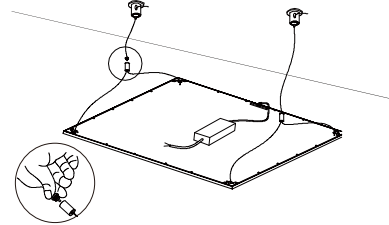
Each panel with standard clips for recessed and suspension installation. Optional surface mounted kit available.



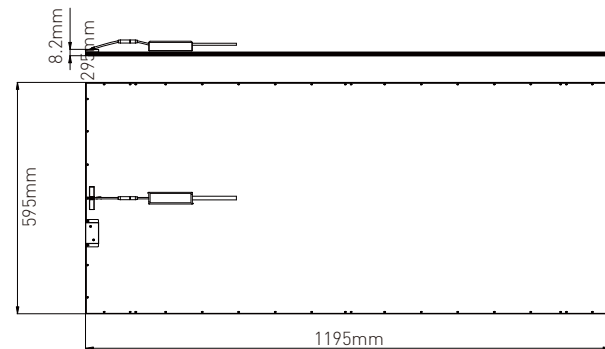
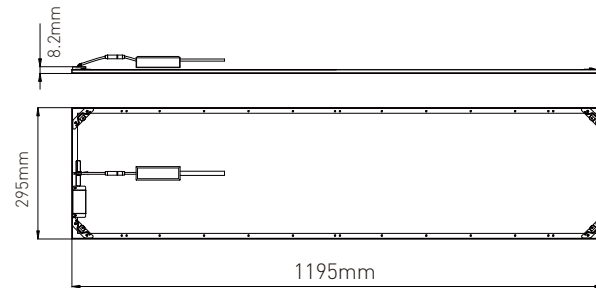
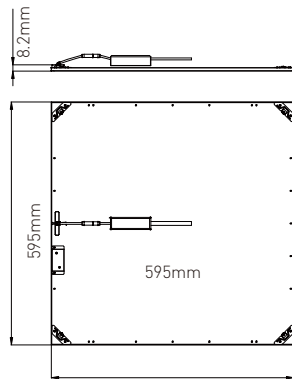
Recessed installation



Surface installation



Suspension installation



# Parameters CE for EU



## 80-90LPW

Product size	CCT	Power(W)	LEDs type	CRI	Voltage	Color tunable selectable way
595*595mm	3000K-4000K-6000K	40W	SMD4014	Ra>80	200-240VAC 50/60Hz	DIP switch
295*1195mm	3000K-4000K-6000K	40W	SMD4014	Ra>80	200-240VAC 50/60Hz	DIP switch
595*1195mm	3000K-4000K-6000K	50W	SMD4014	Ra>80	200-240VAC 50/60Hz	DIP switch
595*595mm	3000K-4000K-6000K	40W	SMD4014	Ra>80	200-240VAC 50/60Hz	Wall switch
295*1195mm	3000K-4000K-6000K	40W	SMD4014	Ra>80	200-240VAC 50/60Hz	Wall switch
595*1195mm	3000K-4000K-6000K	50W	SMD4014	Ra>80	200-240VAC 50/60Hz	Wall switch

# Package

Product size	Inner size	Carton size	Pack Quantity	Net weight	Gross weight
595*595mm	680*636*38mm	650*285*715mm	1 PC/inner box 6 inner boxes/carton	2.395 kg	18.12 kg
295*1195mm	1235*380*38mm	1250*285*415mm	1 PC/inner box 6 inner boxes/carton	2.605 kg	19.69 kg
595*1195mm	1254*694*42mm	1275*110*715mm	2 PCS/inner box 2 inner boxes/carton	4.66 kg	23.64 kg

# Super slim back-lit series



## Produced by stamping structure

Bottom of the back cover is produced by stamping structure, which can effectively guarantee the appearance of the product.

## Super slim driver

With super slim 0-10V driver, assembled at the side of the frame, freight cost saving.

## Replaceable power supply

Lamp and power supply is connected by pulling-resistant male connector and female connector to facilitate the replace of power supply.



## Application

The product can be used in office, hotel, shopping mall, office building, hospital and other places that require long warranty period.



## Aluminum alloy material

Lamp body material: Aluminum alloy + iron + PS.

## Energy savings of up to 90%

Energy-saving percentage (compared with traditional type)  
With energy savings of up to 90% than incandescent light.

## High efficiency up to 125LPW

Lighting effect: High efficiency up to 125LPW, different versions available.

## More uniform light

High-haze diffusion plate effectively breaks up the light sent forth from the lamp, making the light more uniform.

# Parameters



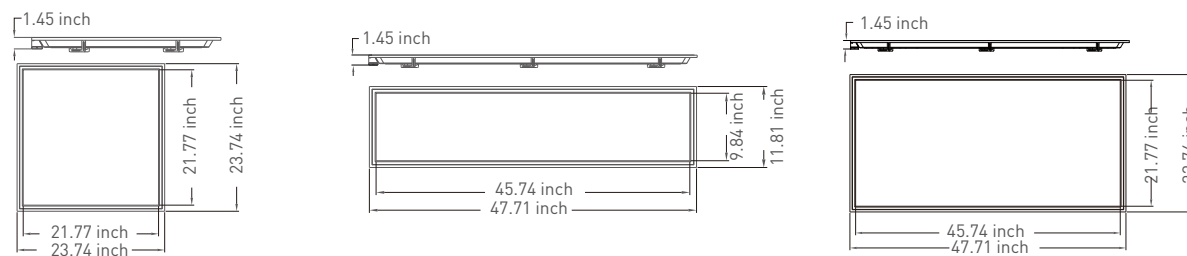
## 105LPW Series

Product size	CCT	Lumen(lm)	Beam angle(°)	LEDs type	CRI	PF	Power(W)	Voltage
1*4FT	● 5000K ● 4000K ● 3000K	4200	110°	SMD2835	Ra>80	>0.9	40W	100-277VAC 50/60Hz
2*2FT	● 5000K ● 4000K ● 3000K	4200	110°	SMD2835	Ra>80	>0.9	40W	100-277VAC 50/60Hz
2*4FT	● 5000K ● 4000K ● 3000K	5040	110°	SMD2835	Ra>80	>0.9	40W	100-277VAC 50/60Hz

## 125LPW Series

Product size	CCT	Lumen(lm)	Beam angle(°)	LEDs type	CRI	PF	Power(W)	Voltage
1*4FT	● 5000K ● 4000K ● 3000K	5000	110°	SMD2835	Ra>80	>0.9	40W	100-277VAC 50/60Hz
2*2FT	● 5000K ● 4000K ● 3000K	5000	110°	SMD2835	Ra>80	>0.9	40W	100-277VAC 50/60Hz
2*4FT	● 5000K ● 4000K ● 3000K	5000	110°	SMD2835	Ra>80	>0.9	40W	100-277VAC 50/60Hz
2*4FT	● 5000K ● 4000K ● 3000K	6000	110°	SMD2835	Ra>80	>0.9	48W	100-277VAC 50/60Hz

Unit:inch



# Package

Product size	Inner size	Carton size	Pack Quantity	Net weight	Gross weight
2*2FT	25.55 *25.47*4.33 inch	26.38*26.57*9.45 inch	2 PCS/inner box 2 inner boxes/carton	5.07 lb	24.25 lb
1*4FT	49.45*13.74*4.33 inch	50.39*14.76*9.45 inch	2 PCS/inner box 2 inner boxes/carton	5.07 lb	25.79 lb
2*4FT	49.21 *25.59*4.72 inch	50.39*26.57*9.45 inch	2 PCS/inner box 2 inner boxes/carton	8.82 lb	45.19 lb

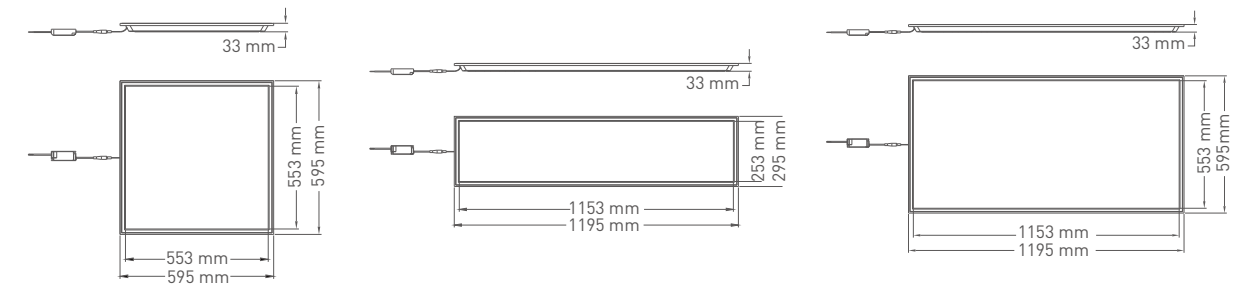
# Parameters



## 100LPW Series

Product size	CCT	Lumen(lm)	Beam angle(°)	LEDs type	CRI	PF	Power(W)	Voltage
595*595mm	● 6000-6500K ● 3800-4200K ● 2800-3200K	3600 4000 4000	110°	SMD2835	Ra>80	>0.9	40W	220-240VAC 50/60Hz
295*1195mm	● 6000-6500K ● 3800-4200K ● 2800-3200K	3600 4000 4000	110°	SMD2835	Ra>80	>0.9	40W	220-240VAC 50/60Hz
595*1195mm	● 6000-6500K ● 3800-4200K ● 2800-3200K	4500 5000 5000	110°	SMD2835	Ra>80	>0.9	50W	220-240VAC 50/60Hz

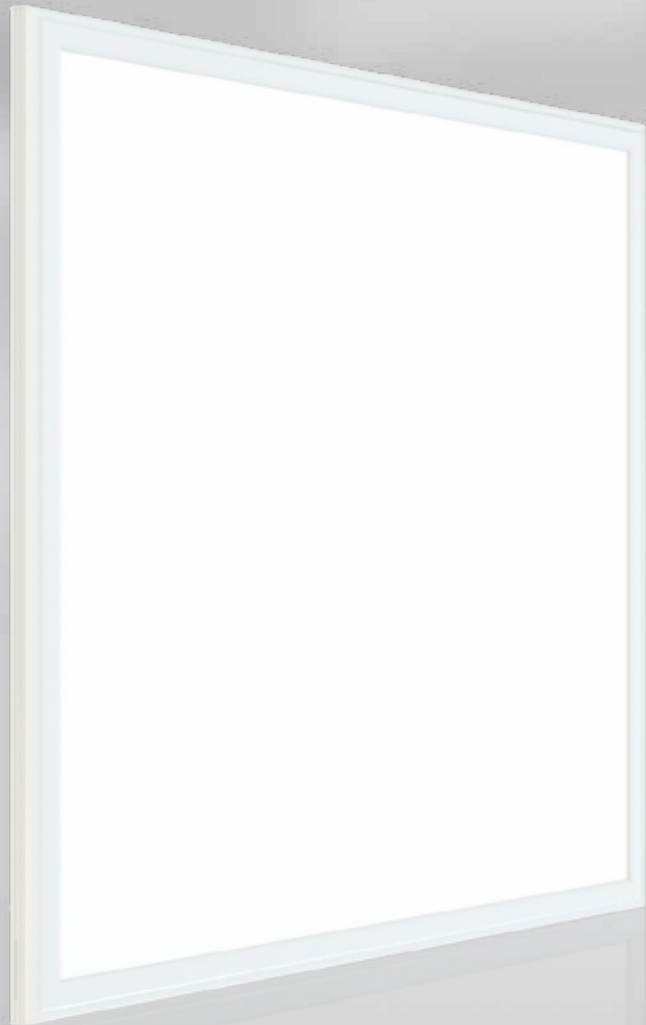
Unit:mm



# Package

Product size	Inner size	Carton size	Pack Quantity	Net weight	Gross weight
595*595mm	650*50*630mm	675*275*675mm	1 PC/inner box 5 inner boxes/carton	1.8 kg	13 kg
295*1195mm	330*1250*50mm	1275*275*355mm	1 PC/inner box 5 inner boxes/carton	1.85 kg	14 kg
595*1195mm	630*1250*50mm	1275*275*655mm	1 PC/inner box 4 inner boxes/carton	3.4 kg	19 kg

# Super slim edge-lit series



## Super slim and lighter

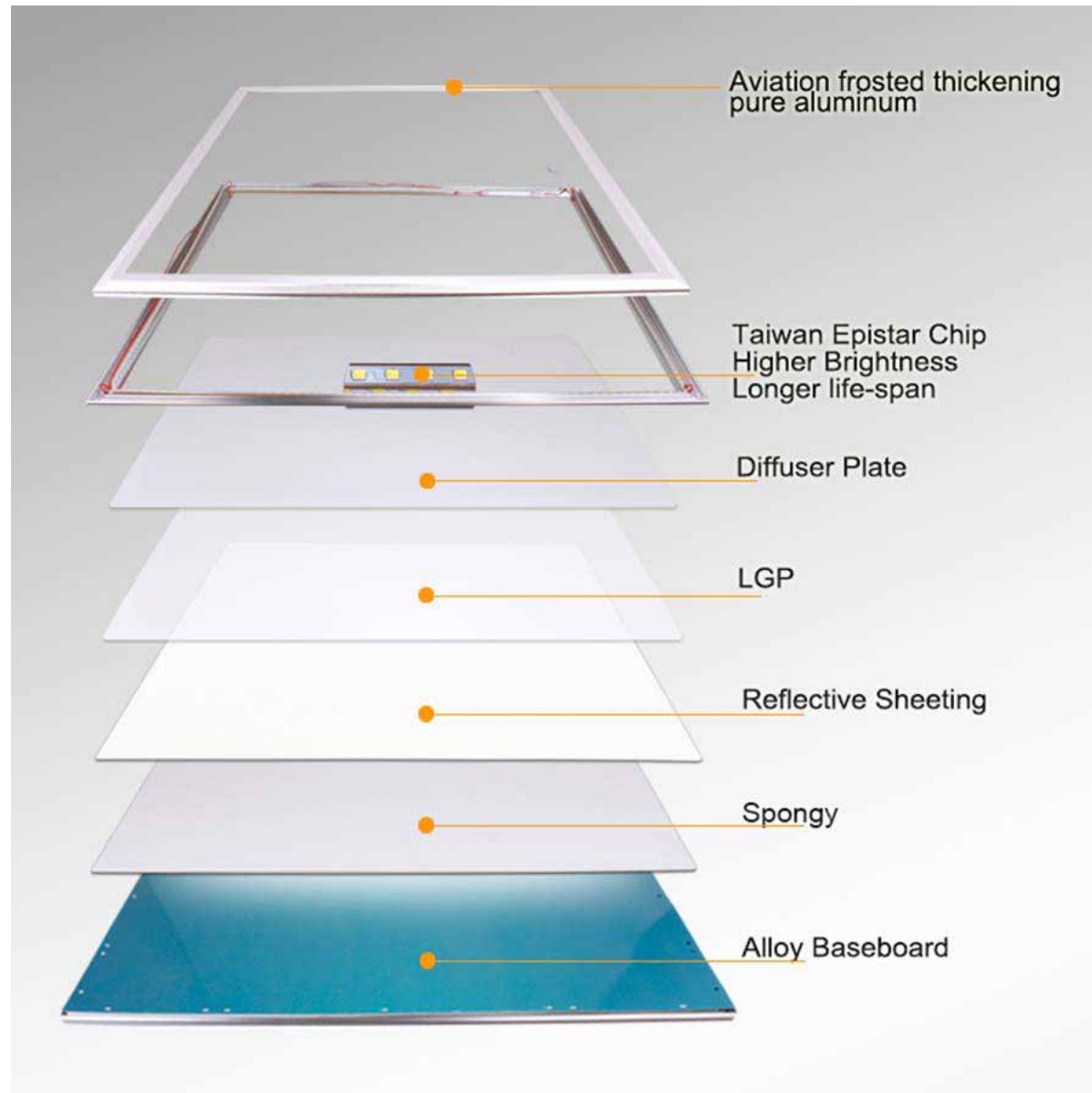
Around 0.39inch lamp body with very light weight, space and transportation cost saving





## Visual uniformity

The edge-lit LED panels blend with various ceiling details and produce soft natural light.



## Luminaire construction

A powder coat painted extruded aluminum frame encompasses the perimeter of multi-layered acrylic panelsystem. The fireproof metal junction box is attached at the backside of the panel light.

## Low glare lighting

The edge mounted LEDs give even glare free special illumination. It produces a comfortable lighting environment.



## High lumen

High lumen LED efficacy paired with high power factor drivers reduce operating cost.

## Long life span

More than 50,000 hours life time and 5 years warranty.

## Cost and energy saving

50% more energy saving effect than fluorescent tubes

Low heat generation, extra energy saving effect through reduction of HVAC load.

Easy installation: only 3 steps in 2 minutes, labor cost saving.

# Parameters



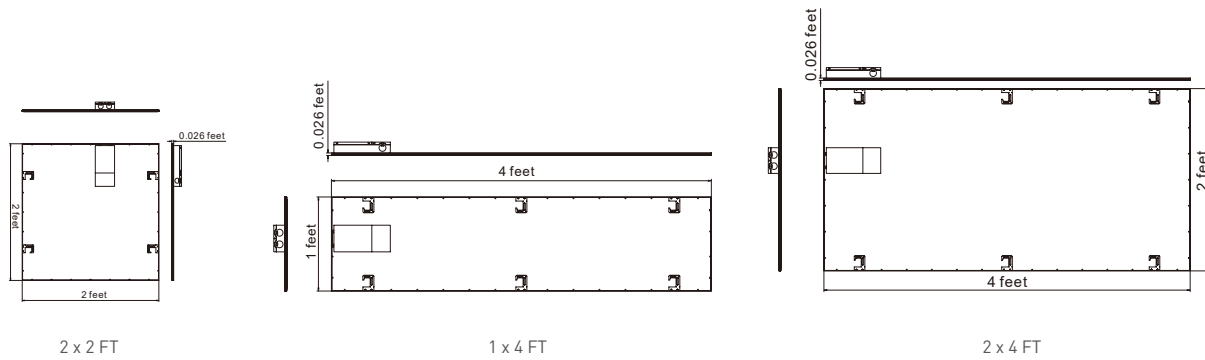
## 100LPW Series

Product size	CCT	Lumen(lm)	Beam angle(°)	LEDs type	CRI	PF	Power(W)	THD	Voltage
2*2FT	5000K	4040	110°	SMD4014	Ra>80	>0.9	40W	<20	100-277VAC 50/60Hz
	4500K	4080							
	4000K	4080							
	3500K	4000							
	3000K	4000							
	2700K	4000							
1*4FT	5000K	4040	110°	SMD4014	Ra>80	>0.9	40W	<20	100-277VAC 50/60Hz
	4500K	4080							
	4000K	4080							
	3500K	4000							
	3000K	4000							
	2700K	4000							
2*4FT	5000K	5050	110°	SMD4014	Ra>80	>0.9	50W	<20	100-277VAC 50/60Hz
	4500K	5100							
	4000K	5100							
	3500K	5000							
	3000K	5000							
	2700K	5000							
2*4FT	5000K	6060	110°	SMD4014	Ra>80	>0.9	60W	<20	100-277VAC 50/60Hz
	4500K	6120							
	4000K	6120							
	3500K	6000							
	3000K	6000							
	2700K	6000							

## 125LPW Series

Product size	CCT	Lumen(lm)	Beam angle(°)	LEDs type	CRI	PF	Power(W)	THD	Voltage
2*2FT	5000K	2520	110°	SMD4014	Ra>80	>0.9	20W	<20	100-277VAC 50/60Hz
	4500K	2540							
	4000K	2540							
	3500K	2500							
	3000K	2500							
	2700K	2500							
2*2FT	5000K	3150	110°	SMD4014	Ra>80	>0.9	25W	<20	100-277VAC 50/60Hz
	4500K	3175							
	4000K	3175							
	3500K	3125							
	3000K	3125							
	2700K	3125							
2*2FT	5000K	3780	110°	SMD4014	Ra>80	>0.9	30W	<20	100-277VAC 50/60Hz
	4500K	3810							
	4000K	3810							
	3500K	3750							
	3000K	3750							
	2700K	3750							

Product size	CCT	Lumen(lm)	Beam angle(°)	LEDs type	CRI	PF	Power(W)	THD	Voltage
2*2FT	5000K	5040	110°	SMD4014	Ra>80	>0.9	40W	<20	100-277VAC 50/60Hz
	4500K	5080							
	4000K	5080							
	3500K	5000							
	3000K	5080							
	2700K	5000							
1*4FT	5000K	2520	110°	SMD4014	Ra>80	>0.9	20W	<20	100-277VAC 50/60Hz
	4500K	2540							
	4000K	2540							
	3500K	2500							
	3000K	2500							
	2700K	2500							
1*4FT	5000K	3780	110°	SMD4014	Ra>80	>0.9	30W	<20	100-277VAC 50/60Hz
	4500K	3810							
	4000K	3810							
	3500K	3750							
	3000K	3750							
	2700K	3750							
1*4FT	5000K	5040	110°	SMD4014	Ra>80	>0.9	40W	<20	100-277VAC 50/60Hz
	4500K	5080							
	4000K	5080							
	3500K	5000							
	3000K	5000							
	2700K	5000							
2*4FT	5000K	3780	110°	SMD4014	Ra>80	>0.9	30W	<20	100-277VAC 50/60Hz
	4500K	3810							
	4000K	3810							
	3500K	3750							
	3000K	3750							
	2700K	3750							
2*4FT	5000K	5040	110°	SMD4014	Ra>80	>0.9	40W	<20	100-277VAC 50/60Hz
	4500K	5080							
	4000K	5080							
	3500K	5000							
	3000K	5000							
	2700K	5000							
2*4FT	5000K	4410	110°	SMD4014	Ra>80	>0.9	35W	<20	100-277VAC 50/60Hz
	4500K	4445							
	4000K	4445							
	3500K	4375							
	3000K	4375							
	2700K	4375							
2*4FT	5000K	6300	110°	SMD4014	Ra>80	>0.9	50W	<20	100-277VAC 50/60Hz
	4500K	6350							
	4000K	6350							
	3500K	6250							
	3000K	6250							
	2700K	6250							
2*4FT	5000K	7560	110°	SMD4014	Ra>80	>0.9	60W	<20	100-277VAC 50/60Hz
	4500K	7620							
	4000K	7620							
	3500K	7500							
	3000K	7500							
	2700K	7500							

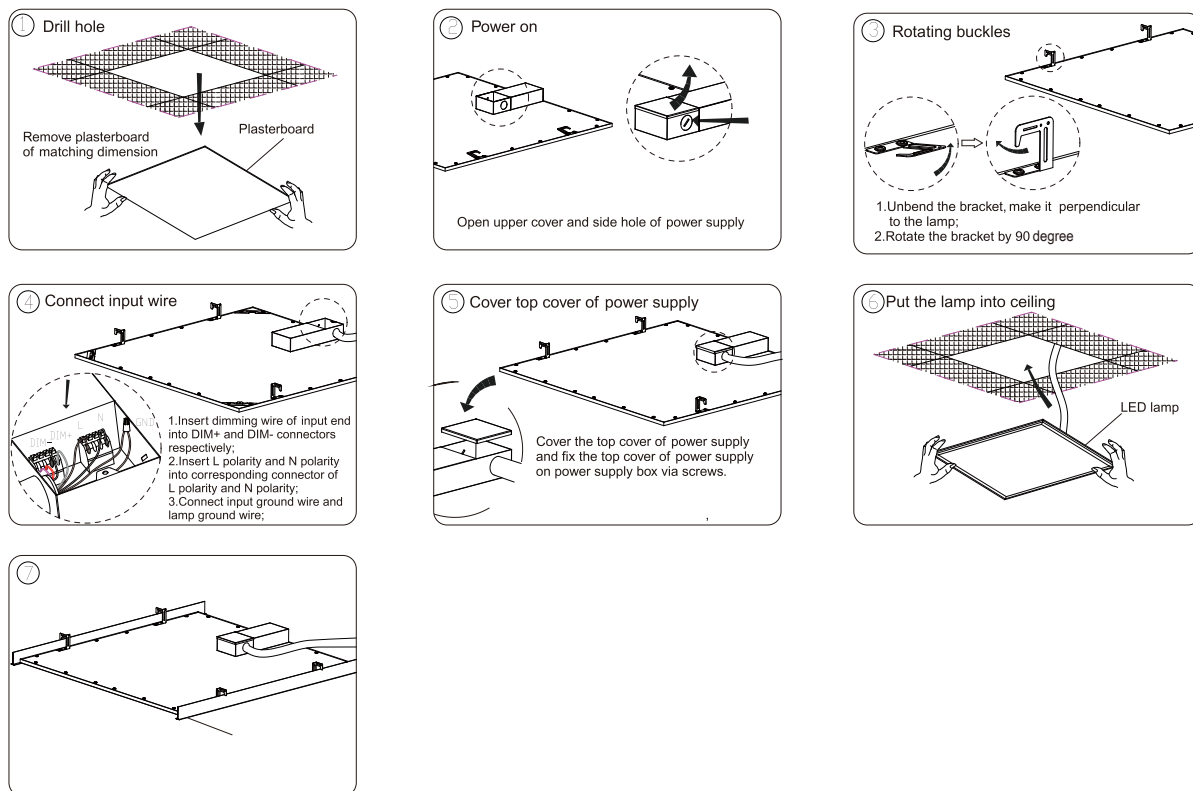


Note: All dimension tolerance is +0.5mm unless otherwise noted.

## Package

Product size	Inner size	Carton size	Pack Quantity	Net weight	Gross weight
2*2FT	25.55 *25.47*4.33 inch	26.38*26.57*9.45 inch	2 PCS/inner box 2 inner boxes/carton	6.61 lb	33.07 lb
1*4FT	49.45*13.74*4.33 inch	50.39*14.76*9.45 inch	2 PCS/inner box 2 inner boxes/carton	6.61 lb	37.48 lb
2*4FT	49.21 *25.59*4.72 inch	50.39*26.57*9.45 inch	2 PCS/inner box 2 inner boxes/carton	13.23 lb	61.73 lb

## Installation



## Parameters CE for EU



### 90LPW Series

Product size	CCT	Lumen(lm)	Beam angle(°)	LEDs type	CRI	PF	Power(W)	Voltage
295*295mm	6000-6500K	1620	110°	SMD4014	Ra>80	>0.9	18W	220-240VAC 50/60Hz
	3800-4200K	1620						
	2800-3200K	1584						
295*595mm	6000-6500K	2160	110°	SMD4014	Ra>80	>0.9	24W	220-240VAC 50/60Hz
	3800-4200K	2160						
	2800-3200K	2112						
595*595mm	6000-6500K	3600	110°	SMD4014	Ra>80	>0.9	40W	220-240VAC 50/60Hz
	3800-4200K	3600						
	2800-3200K	3520						
295*1195mm	6000-6500K	3600	110°	SMD4014	Ra>80	>0.9	40W	220-240VAC 50/60Hz
	3800-4200K	3600						
	2800-3200K	3520						
595*1195mm	6000-6500K	5000	110°	SMD4014	Ra>80	>0.9	50W	220-240VAC 50/60Hz
	3800-4200K	5000						
	2800-3200K	4900						

### 100LPW Series

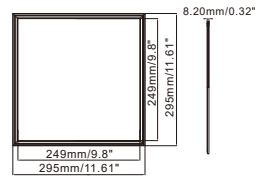
Product size	CCT	Lumen(lm)	Beam angle(°)	LEDs type	CRI	PF	Power(W)	Voltage
595*595mm	6000-6500K	4000	110°	SMD4014	Ra>80	>0.9	40W	220-240VAC 50/60Hz
	3800-4200K	4000						
	2800-3200K	3920						
295*1195mm	6000-6500K	4000	110°	SMD4014	Ra>80	>0.9	40W	220-240VAC 50/60Hz
	3800-4200K	4000						
	2800-3200K	3920						
595*1195mm	6000-6500K	5000	110°	SMD4014	Ra>80	>0.9	50W	220-240VAC 50/60Hz
	3800-4200K	5000						
	2800-3200K	4900						

### 120LPW Series

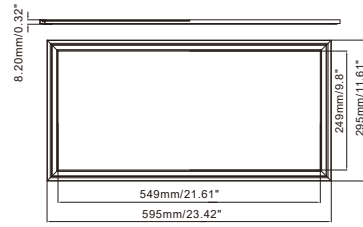
Product size	CCT	Lumen(lm)	Beam angle(°)	LEDs type	CRI	PF	Power(W)	Voltage
595*1195mm	6000-6500K	4800	110°	SMD4014	Ra>80	>0.9	40W	220-240VAC 50/60Hz
	3800-4200K	4800						
	2800-3200K	4720						
295*1195mm	6000-6500K	4800	110°	SMD4014	Ra>80	>0.9	40W	220-240VAC 50/60Hz
	3800-4200K	4800						
	2800-3200K	4720						
595*1195mm	6000-6500K	6000	110°	SMD4014	Ra>80	>0.9	50W	220-240VAC 50/60Hz
	3800-4200K	6000						
	2800-3200K	5900						

# Dimensions

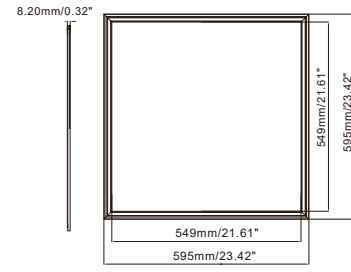
Unit:mm



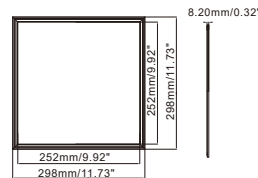
SC-PSC24YE295295-R18W  
295\*295



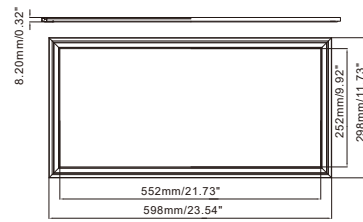
SC-PSC24YE295595-R24W  
295\*595



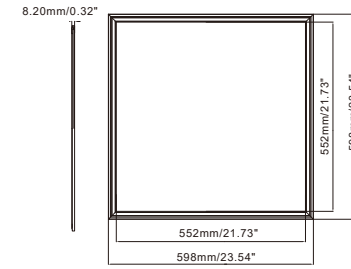
SC-PSC24YE595595-R40W  
595\*595



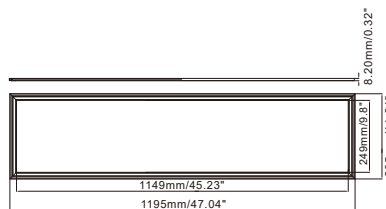
SC-PSC24YE3030-R18W  
300\*300



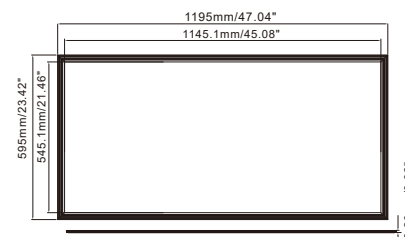
SC-PSC24YE3060-R24W  
300\*600



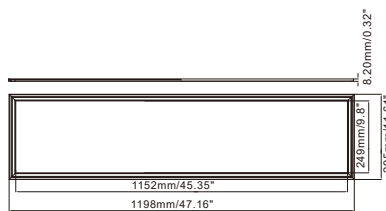
SC-PSC24YE6060-R40W  
600\*600



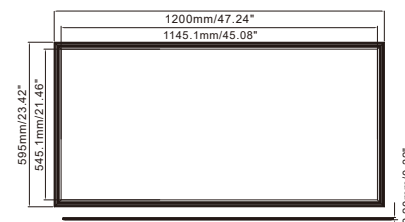
SC-PSC24YE2951195-R40W  
295\*1195



SC-PSC24YE5951195-R50W  
595\*1195



SC-PSC24YE3012-R40W  
300\*1200

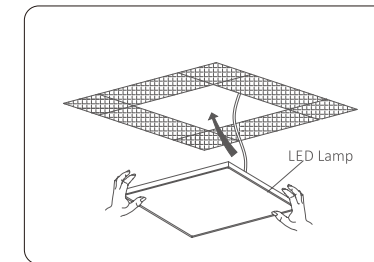


SC-PSC24YE6012-R50W  
600\*1200

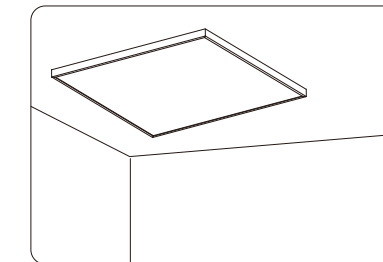
# Package

Product size	Inner size	Carton size	Pack Quantity	Net weight	Gross weight
300*300 mm	340*380*46 mm	480*260*410mm	1 PC/inner box 10 inner boxes/carton	0.68 kg	9.8 kg
300*600 mm	635*380*46 mm	650*260*410mm	1 PC/inner box 5 inner boxes/carton	1.175 kg	12.8 kg
600*600mm	680*636*38mm	650*285*715mm	1 PC/inner box 6 inner boxes/carton	2.4 kg	18.12 kg
300*1200 mm	1235*380*38mm	1250*285*715mm	1 PC/inner box 6 inner boxes/carton	2.6 kg	19.67 kg
600*1200mm	1255*694*42mm	1275*110*715mm	2 PCS/inner box 2 inner boxes/carton	4.66 kg	23.64 kg

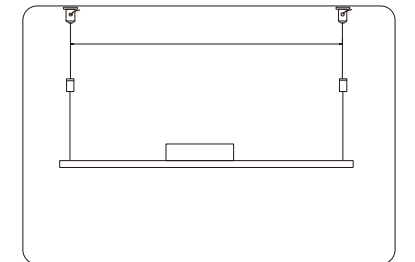
# Installation



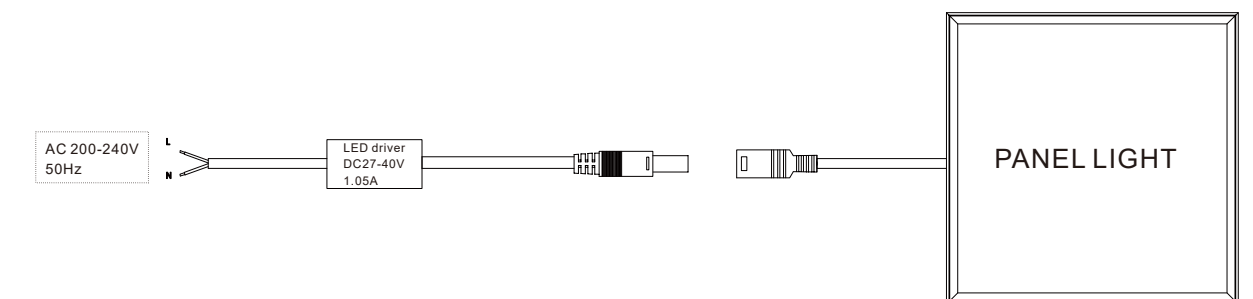
Embedded Installation



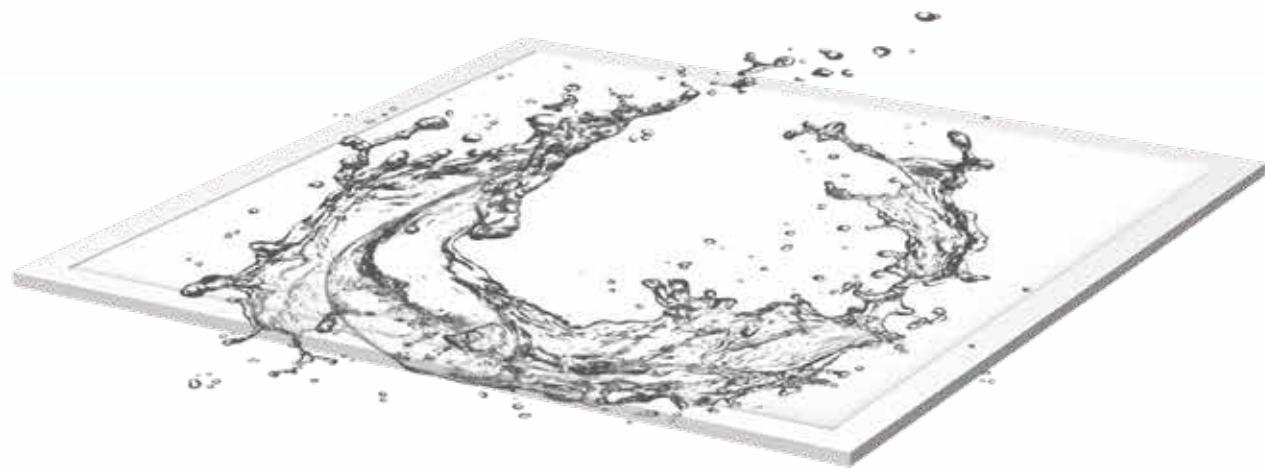
Surface Installation



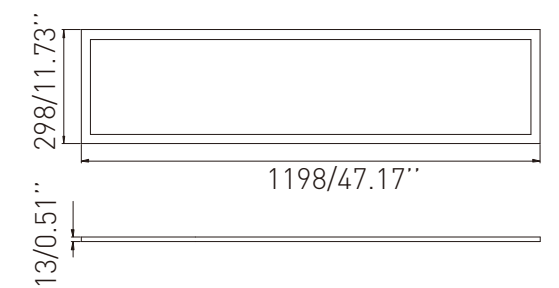
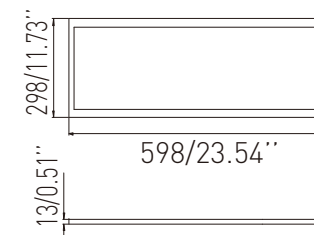
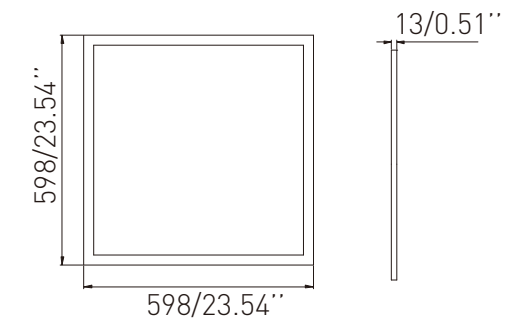
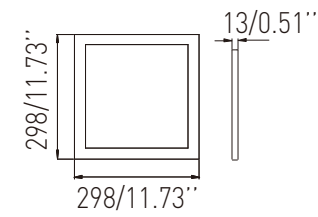
Suspension Installation



# IP65 waterproof series



Unit:mm / inch

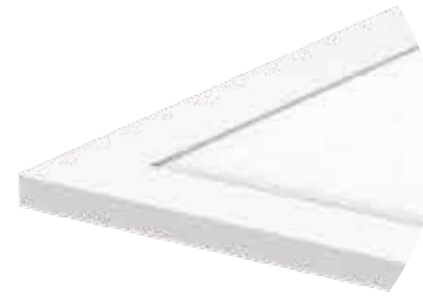


## IP65 waterproof

Adopt IP65 waterproof power supply and connector, the panel light can reach IP65 waterproof grade.

## Special waterproof foem

Special waterproof foem installed at the front side between aluminum housing and diffuser, also at the back side between the back cover and LGP, to achieve the waterproof effect.



## AL6063 aluminum housing

AL6063 aluminum housing, 13mm thickness, very strong structure, not easy to bend during using.



## Without any gap at 4 corners

Flat frame design, without any gap at 4 corners.



## Anti-leakage

Bending back cover design to prevent light leakage from back side.



## Application

The product is suitable for installation in damp environments for use such as bathrooms, kitchens, indoor swimming pools, operation rooms of hospital, etc.

## Parameters CE for EU



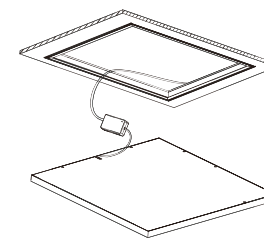
Product size	CCT	Lumen(lm)	Beam angle(°)	LEDs type	CRI	PF	Power(W)	Voltage
295*295mm	6000-6500K	1656	120°	SMD4014	Ra>80	>0.9	18W	100-240VAC 50/60Hz
	3800-4200K	1656						
	2800-3200K	1476						
295*595mm	6000-6500K	2184	120°	SMD4014	Ra>80	>0.9	24W	100-240VAC 50/60Hz
	3800-4200K	2184						
	2800-3200K	1968						
595*595mm	6000-6500K	4000	120°	SMD4014	Ra>80	>0.9	40W	100-240VAC 50/60Hz
	3800-4200K	4000						
	2800-3200K	3600						
295*1195mm	6000-6500K	4000	120°	SMD4014	Ra>80	>0.9	40W	100-240VAC 50/60Hz
	3800-4200K	4000						
	2800-3200K	3600						

## Package

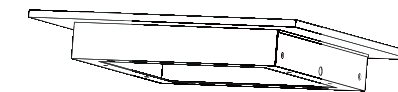
Product size	Inner size	Carton size	Pack Quantity	Net weight	Gross weight
295*295mm	340*385*46mm	480*365*405mm	1 PC/inner box 10 inner boxes/carton	0.8 kg	14.2 kg
295*595mm	635*380*46mm	650*380*410mm	1 PC/inner box 5 inner boxes/carton	1.4 kg	12.0 kg
595*595mm	636*680*38mm	650*260*710mm	1 PC/inner box 6 inner boxes/carton	2.4 kg	22.8 kg
295*1195mm	1235*380*38mm	1250*260*410mm	1 PC/inner box 6 inner boxes/carton	2.5 kg	23.5 kg

## Installation

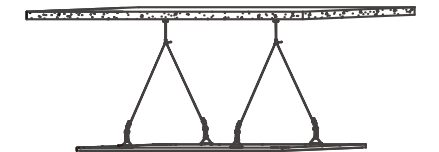
Three installation types : recessed, surface and suspension.



Recessed installation



Surface installation



Suspension installation

# FLOAT series round suspending panel light

FLOAT round suspending panel light is designed with stylish and fashionable lamp body, and with edge-lit led emitting technology. It has the feature of uniform and smooth light beam, and can be widely used as interior lighting in shops, showrooms, offices, hotels and so on.



## Ultrathin and beautiful

Compact appearance, ultrathin, simple and beautiful.

## No UV, no IR or mercury free

Energy-saving, eco-friendly, no UV, no IR or mercury free, RoHS compliant;





## Better for heat dissipation

Round frame adopt extrusion aluminum, better for heat dissipation, higher hardness, strong structure, have big advantage in large dimension lamp.

## 90LPW High lighting effect

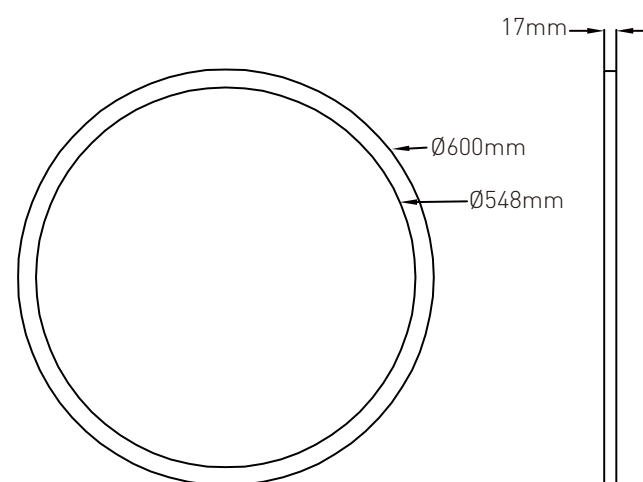
High lighting effect, uniform light-emitting surface, no ripple.

## Brand power supply

Brand power supply, quality assurance.

## Can be customized

Lamps of different diameters can be customized, various shapes can be posed to present art of lamps.



## Parameters CE for EU



Product name	CCT	Lumen(lm)	Beam angle(°)	LEDs type	CRI	PF	Power(W)	Voltage
FLOAT (600*600mm)	6000-6500K	4750	110°	SMD2835	Ra>80	>0.9	55W	200-240VAC 50/60Hz
	3800-4200K	5000						
	2800-3200K	4550						

## Package

Product name	Inner size	Carton size	Pack Quantity	Net weight	Gross weight
FLOAT	635*686*52mm	650*715*230mm	1 PC/inner box 4 inner boxes/carton	4.38 kg	23.4 kg





# LED Linear Light

LED linear light is exclusively designed for designer and architect with imagination and personal style. LED linear light adopt premium aluminum profile, different dimension and size, easy to install. 3 types installation method: ceiling mounted type, suspended type, and different customized dimensions are also acceptable, which can meet installation requirement of different fields and occasions.

- CE SL8055 Series | P67-72
- CE SL8050 Series (microwave sensor) | P73-78
- CE SL8050 Series (PIR sensor) | P79-84
- UL CE SL8050 Series | P85-90
- CE SL3668 Series | P91-96
- UL CE SL8456 Series | P97-102
- CE SL5550 Series | P103-108
- UL CE SL10075 Series | P109-114
- UL CE SL11070 Series | P115-120
- CE SL4932 Series | P121-126
- CE SL4040 Series | P127-132
- CE RL7035 Series | P133-138
- CE RL13054 Series | P139-144
- CE RL8456 Series | P145-150

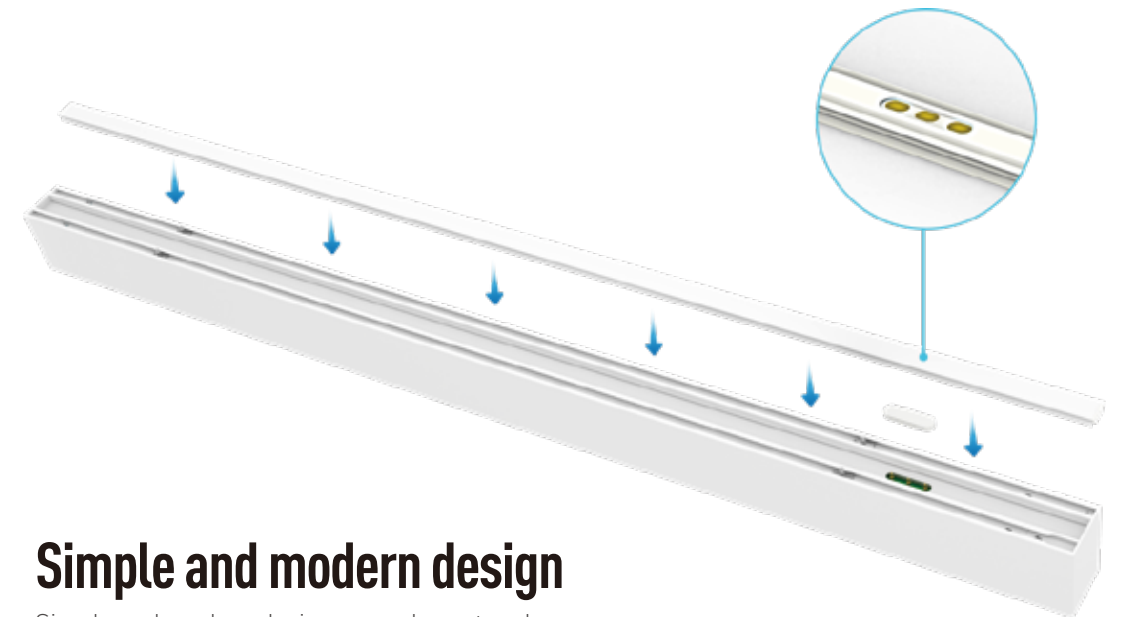


# SL8055

The product has two types: direct lighting and direct/indirect lighting. The indirect lighting module is an integrated design with a quick coupling structure, which can be used as accessories for delivery, and customers can choose to install/purchase.

## Plug and play design

Indirect lighting module is optional as an extra accessory, save SKU, easy to install.



## Simple and modern design

Simple and modern design, screwless at end cap, RAL9300 white lamp body.

## Anti-UV and anti-yellowing

Extrusion aluminum lamp body and PC cover, anti-UV and anti-yellowing.

## Visual uniformity

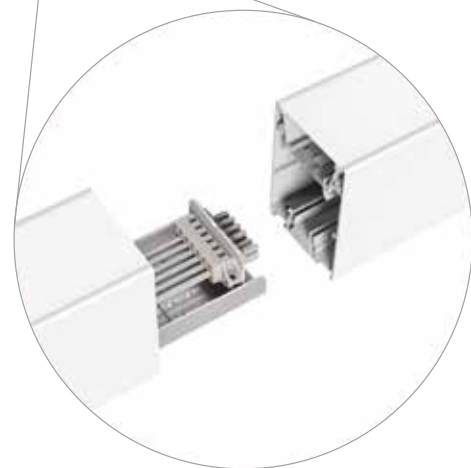
Smooth and soft lighting effect, no dark dot and shadow at the lighting area.





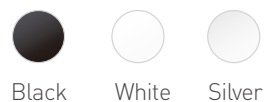
## Max. connection: 900W

Product can be used individually or seamlessly spliced. under the 220V circuit, the longest connection can be 900W.

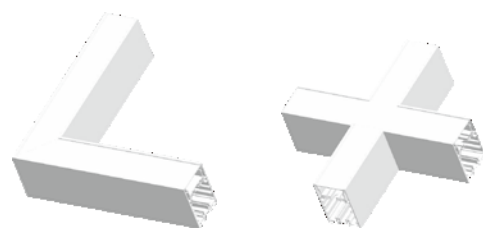


## 6063-T5 extruded aluminum

The outer frame adopts 6063-T5 extruded aluminum, light weight and good heat dissipation. Various colors can be sprayed to meet customer requirements.



Black White Silver



## Various shapes

The product can be connected in various shapes through the L shape, cross shape and other connection accessories.

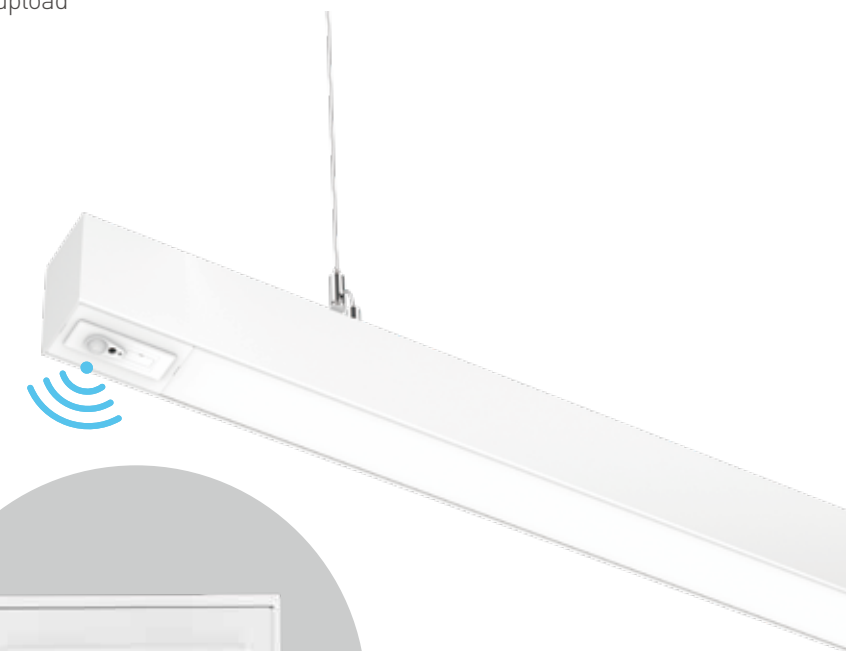


## Motion sensor version

Built-in sensor, remote control dimming, invisible from the outside, beautiful and generous, remote upload range up to 15 m (50 ft.)

## PIR sensor version

PIR sensing, intelligently adjusts brightness, energy saving.

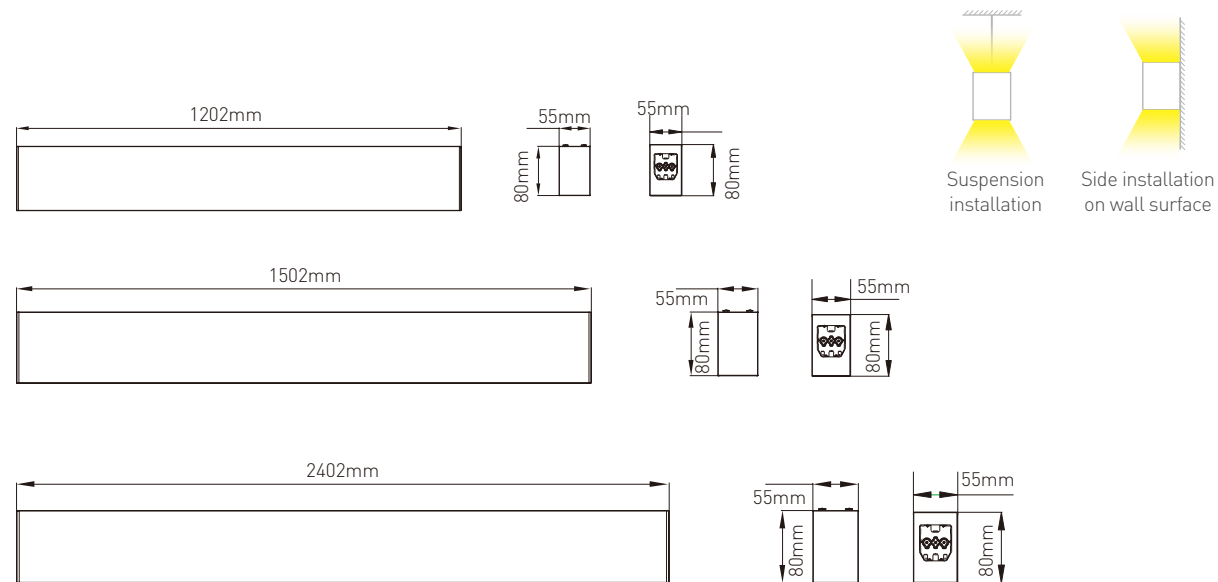


Remote control

# Parameters



Product name	CCT	Lumen(lm)	Beam angle(°)	LEDs type	CRI	Power(W)	Length	Voltage
SL8055	● 6000-6500K	4100	110°	SMD2835	Ra>80	40W	1.2M	AC220-240V 50/60Hz
	● 3800-4200K	4200						
	● 2800-3200K	4000						
SL8055	● 6000-6500K	5100	110°	SMD2835	Ra>80	50W	1.5M	AC220-240V 50/60Hz
	● 3800-4200K	5200						
	● 2800-3200K	5000						
SL8055	● 6000-6500K	8200	110°	SMD2835	Ra>80	80W	2.4M	AC220-240V 50/60Hz
	● 3800-4200K	8400						
	● 2800-3200K	8000						



# Package

Product size	Inner size	Carton size	Pack Quantity	Net weight	Gross weight
1.2M(40W)	1274*130*106mm	1288*274*230mm	1 PC/inner box 4 inner boxes/carton	2.8 kg	15.0 kg
1.5M(50W)	1552*130*110mm	1566*280*230mm	1 PC/inner box 4 inner boxes/carton	3.5 kg	18.5 kg
2.4M(80W)	2448*130*110mm	2462*144*238mm	1 PC/inner box 2 inner boxes/carton	5.8 kg	15.0 kg



# SL8050

## Microwave sensor

Linear light with built-in microwave sensor, intelligent sensing and power saving. Simple and beautiful appearance, delicate and uniform light, strong functionality. It can not only play the role of lighting, but also beautify the whole space environment.

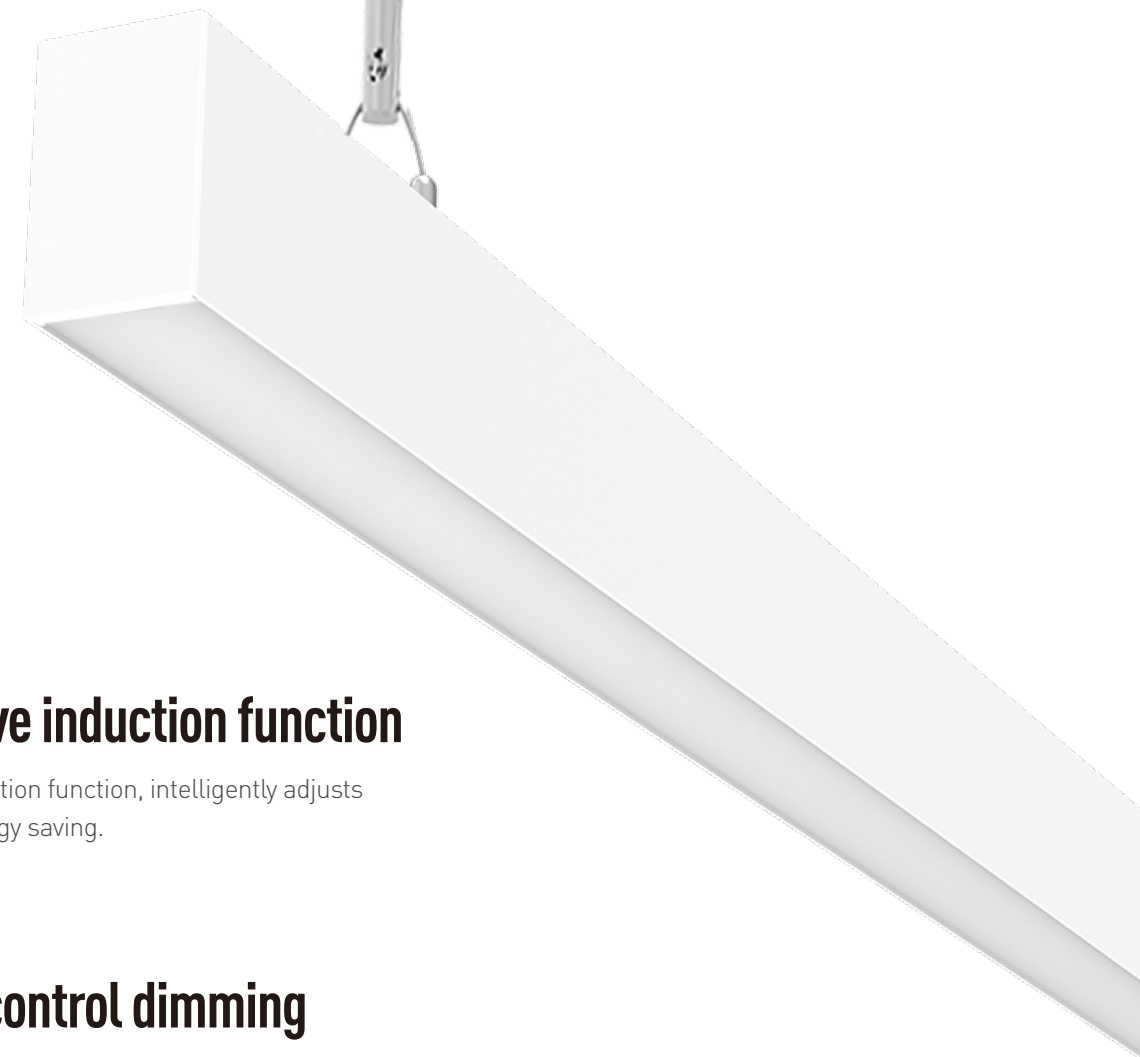


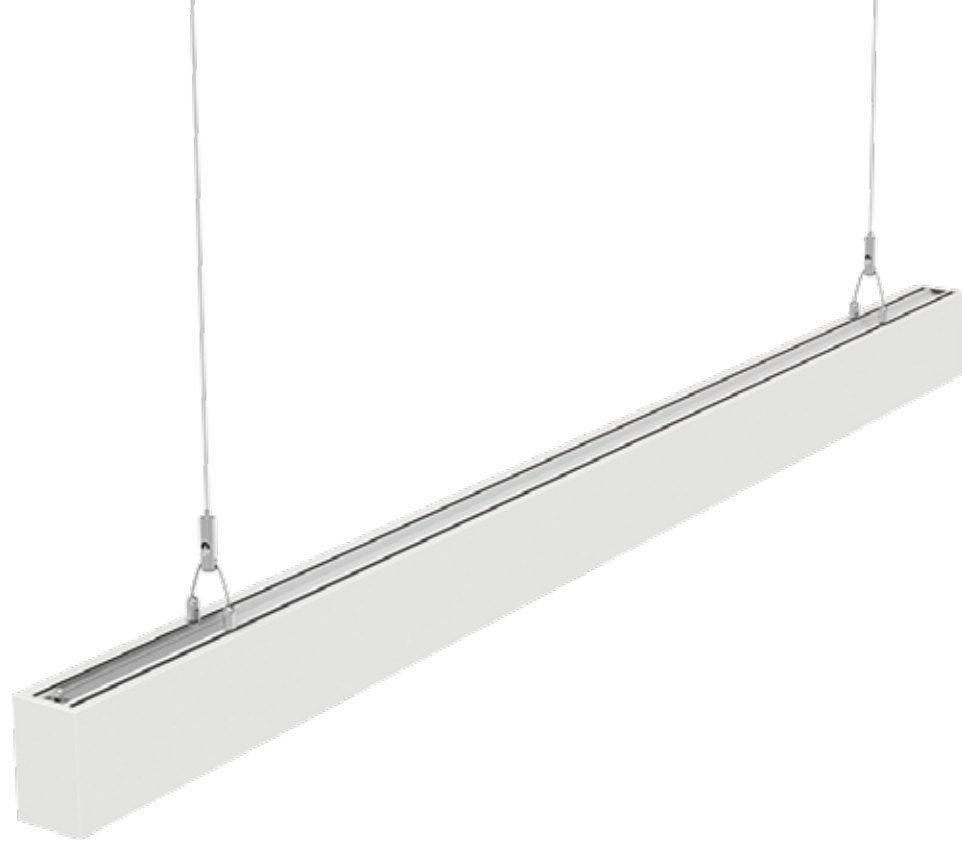
## Microwave induction function

Microwave induction function, intelligently adjusts brightness, energy saving.

## Remote control dimming

Built-in sensor, invisible from the outside, beautiful and generous, remote upload range up to 15 m (50 ft.)





## Simple and modern design

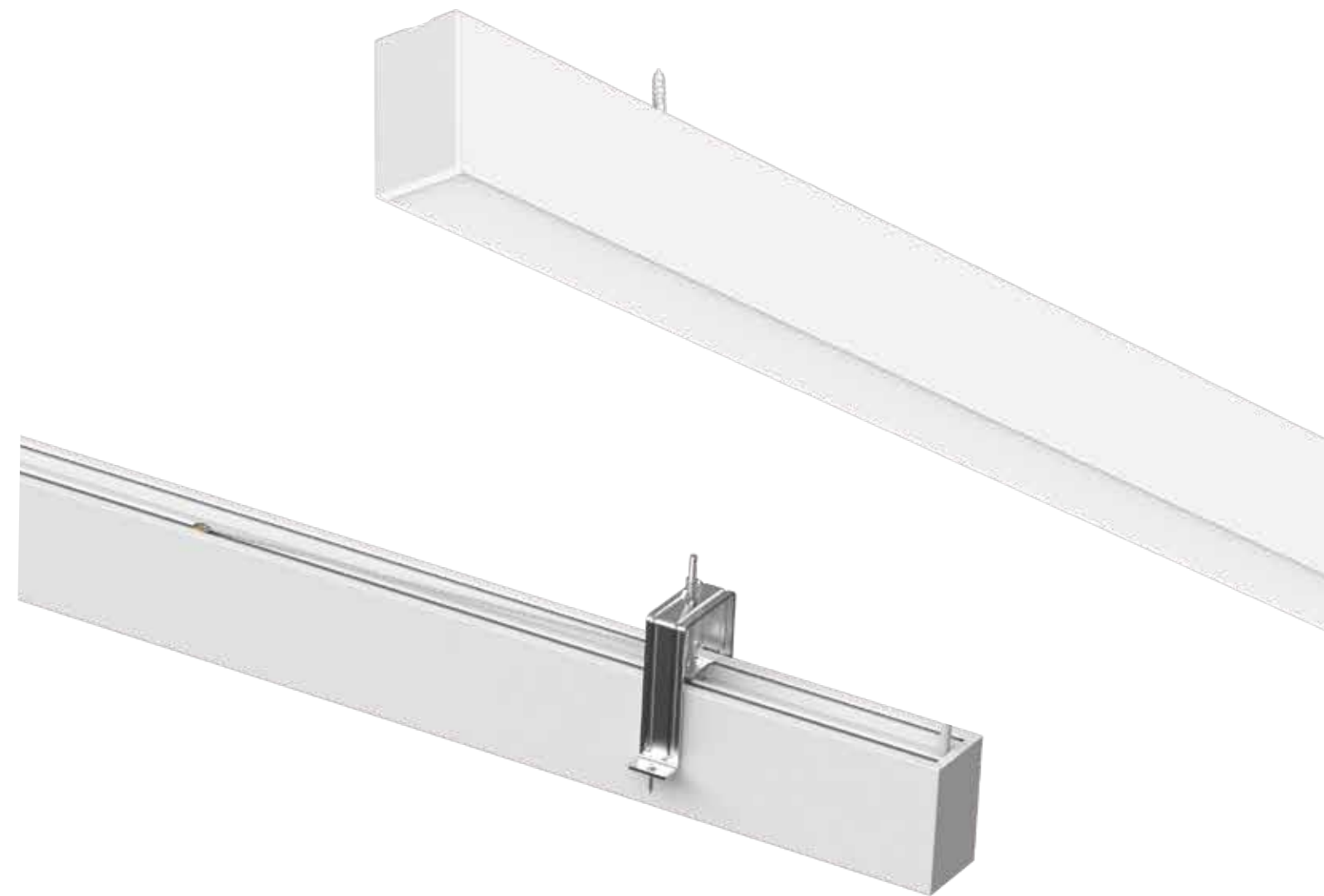
Simple and modern design, screwless at end cap, RAL9300 white lamp body.

## Anti-UV and anti-yellowing

Extrusion aluminum lamp body and PC cover, anti-UV and anti-yellowing.

## Visual uniformity

Smooth and soft lighting effect, no dark dot and shadow at the lighting area.



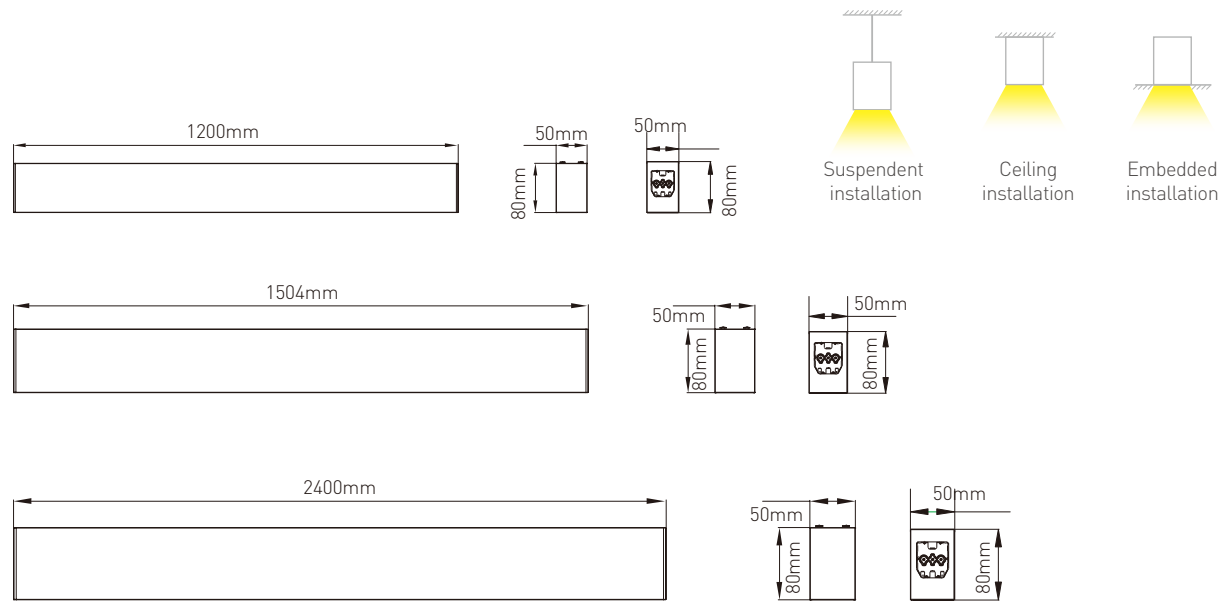
## Easy to install & replace

Light area and power supply is connected by electronic wire with male and female terminal, simple structure facilitating the dismantling and replacing of light area and power supply.

# Parameters

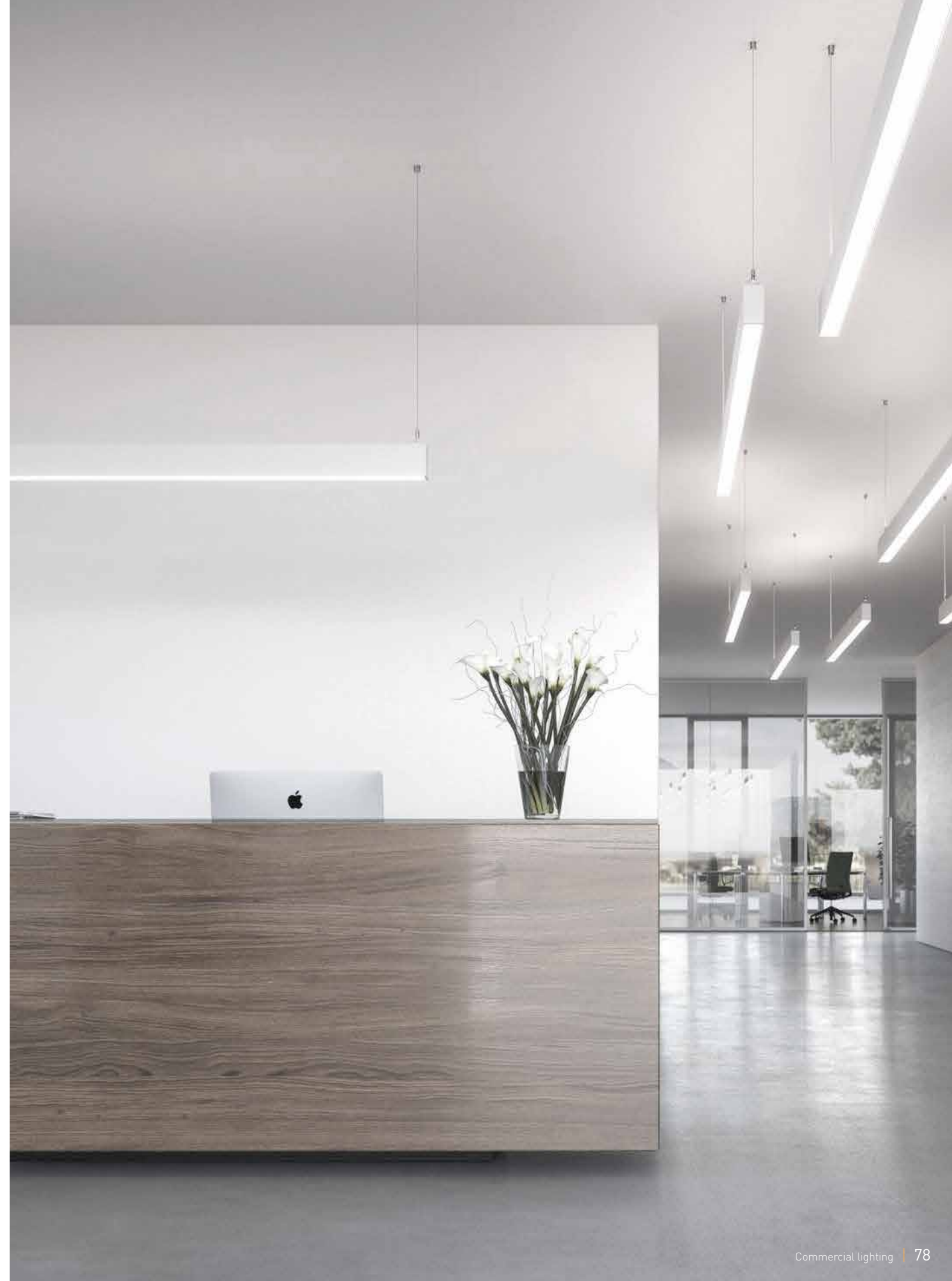


Product name	CCT	Lumen(lm)	Beam angle[°]	LEDs type	CRI	Power(W)	Length	Dimming	Voltage
SL8050 microwave sensor	6000-6500K	3500	110°	SMD2835	Ra>80	36W	1.2M	0-10V dimming	AC220-240V 50/60Hz
	3800-4200K	3600							
	2800-3200K	3300							
SL8050 microwave sensor	6000-6500K	3860	110°	SMD2835	Ra>80	45W	1.5M	0-10V dimming	AC220-240V 50/60Hz
	3800-4200K	3960							
	2800-3200K	3780							
SL8050 microwave sensor	6000-6500K	5180	110°	SMD2835	Ra>80	60W	2.4M	0-10V dimming	AC220-240V 50/60Hz
	3800-4200K	5280							
	2800-3200K	4980							



# Package

Product size	Inner size	Carton size	Pack Quantity	Net weight	Gross weight
1.2M(40W)	1274*130*106mm	1288*404*230mm	1 PC/inner box 6 inner boxes/carton	2.3 kg	18.9 kg
1.5M(45W)	1552*130*110mm	1566*404*238mm	1 PC/inner box 6 inner boxes/carton	2.8 kg	23.5 kg
2.4M(60W)	2448*130*110mm	2462*274*238mm	1 PC/inner box 4 inner boxes/carton	4.2 kg	27.0 kg





# SL8050

## PIR sensor

Linear light with sensor, simple design, beautiful and generous. PIR human body sensing function can accurately sense human body temperature and action to prevent false triggering. With daylight harvesting function, intelligently reduces power, energy saving.

## PIR sensor function

PIR sensing, intelligently adjusts brightness, energy saving.

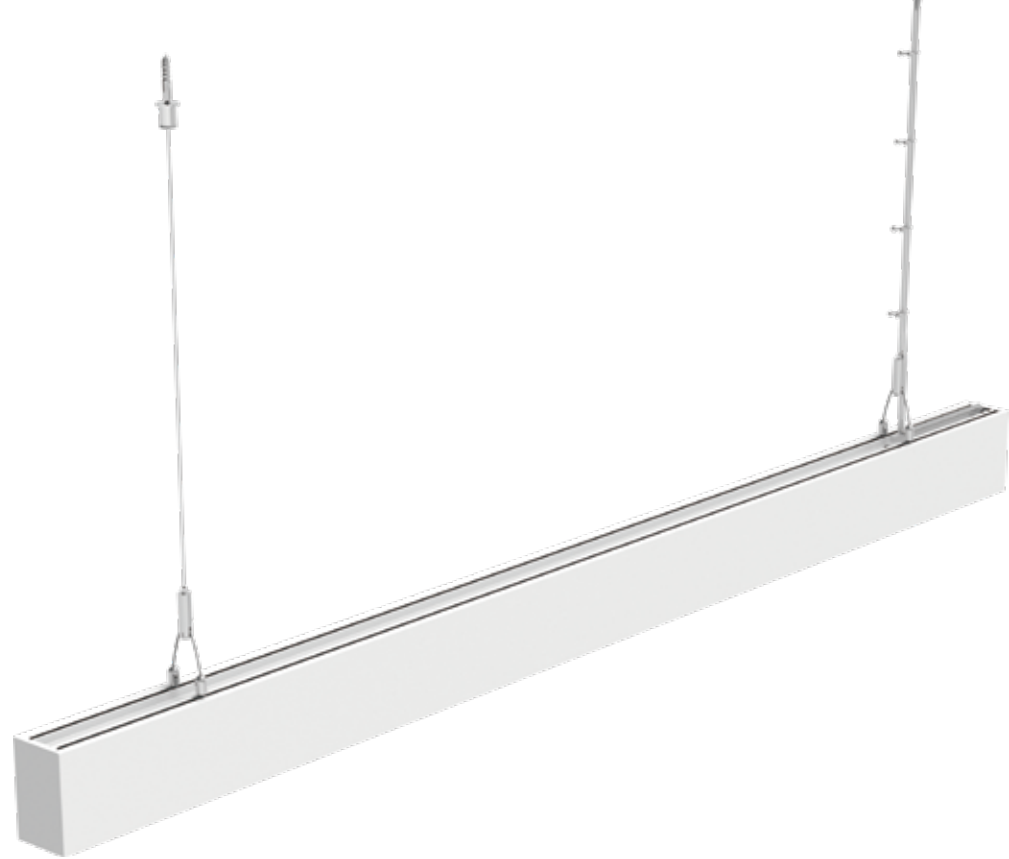


## DAYLIGHT HARVESTING

As the intensity of the ambient light is different, the sensor intelligently adjusts the output power to ensure the constant lux and achieve energy saving.



Remote control



## Simple and modern design

Simple and modern design, screwless at end cap, RAL9300 white lamp body.

## Anti-UV and anti-yellowing

Extrusion aluminum lamp body and PC cover, anti-UV and anti-yellowing.

## Visual uniformity

Smooth and soft lighting effect, no dark dot and shadow at the lighting area.



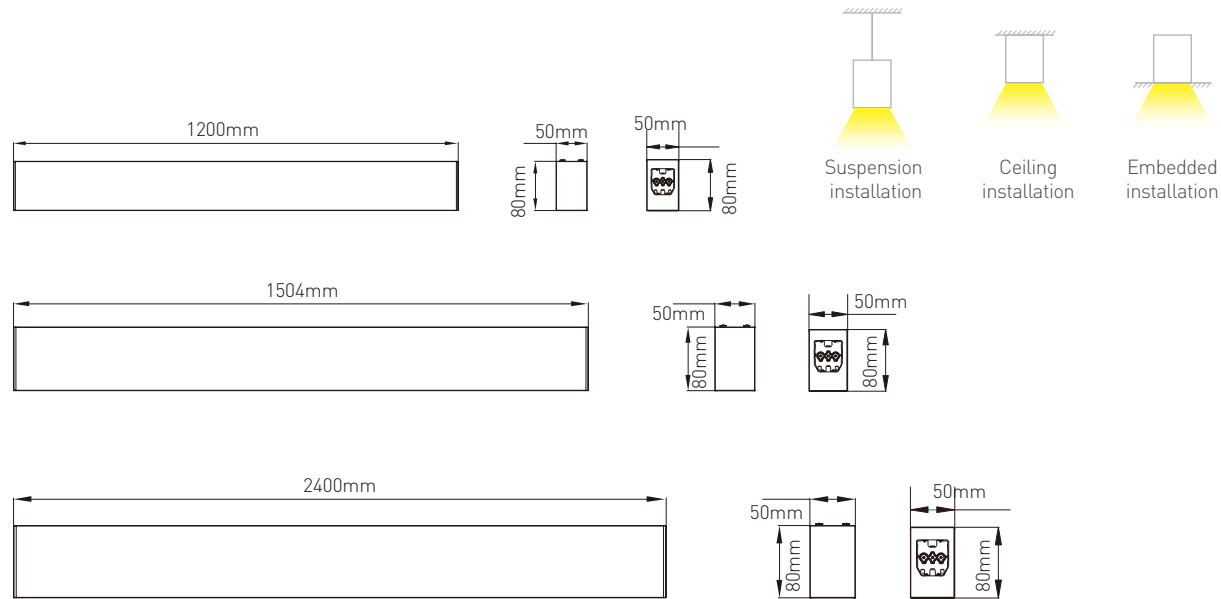
## Easy to install & replace

Light area and power supply is connected by electronic wire with male and female terminal, simple structure facilitating the dismantling and replacing of light area and power supply.

# Parameters



Product name	CCT	Lumen(lm)	Beam angle[°]	LEDs type	CRI	Power(W)	Length	Dimming	Voltage
SL8050 pir sensor	6000-6500K	3500	110°	SMD2835	Ra>80	36W	1.2M	0-10V dimming	AC220-240V 50/60Hz
	3800-4200K	3600							
	2800-3200K	3300							
SL8050 pir sensor	6000-6500K	3860	110°	SMD2835	Ra>80	45W	1.5M	0-10V dimming	AC220-240V 50/60Hz
	3800-4200K	3960							
	2800-3200K	3780							
SL8050 pir sensor	6000-6500K	5180	110°	SMD2835	Ra>80	60W	2.4M	0-10V dimming	AC220-240V 50/60Hz
	3800-4200K	5280							
	2800-3200K	4980							



# Package

Product size	Inner size	Carton size	Pack Quantity	Net weight	Gross weight
1.2M(36W)	1274*130*106mm	1288*404*230mm	1 PC/inner box 6 inner boxes/carton	2.3 kg	18.9 kg
1.5M(45W)	1552*130*110mm	1566*404*238mm	1 PC/inner box 6 inner boxes/carton	2.8 kg	23.5 kg
2.4M(60W)	2448*130*110mm	2462*274*238mm	1 PC/inner box 4 inner boxes/carton	4.2 kg	27.0 kg

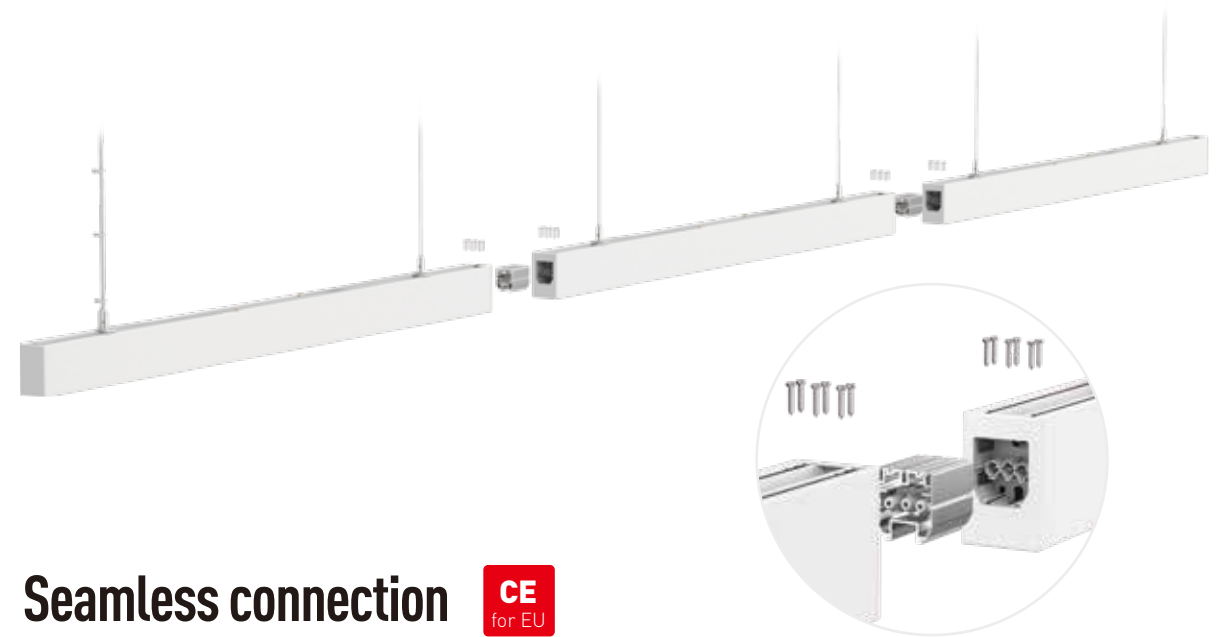




# SL8050



It is exclusively designed for designer and architect with imagination and personal style. Adopt premium aluminum profile, different dimension and size, easy to install. 2 types installation method: ceiling mounted type and suspended type, and different customized dimensions are also acceptable, which can meet installation requirement of different fields and occasions.



## Seamless connection

Continuous connection at max 550W run.





## Simple structure

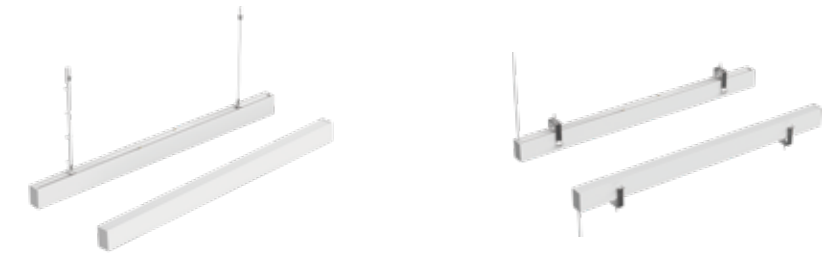
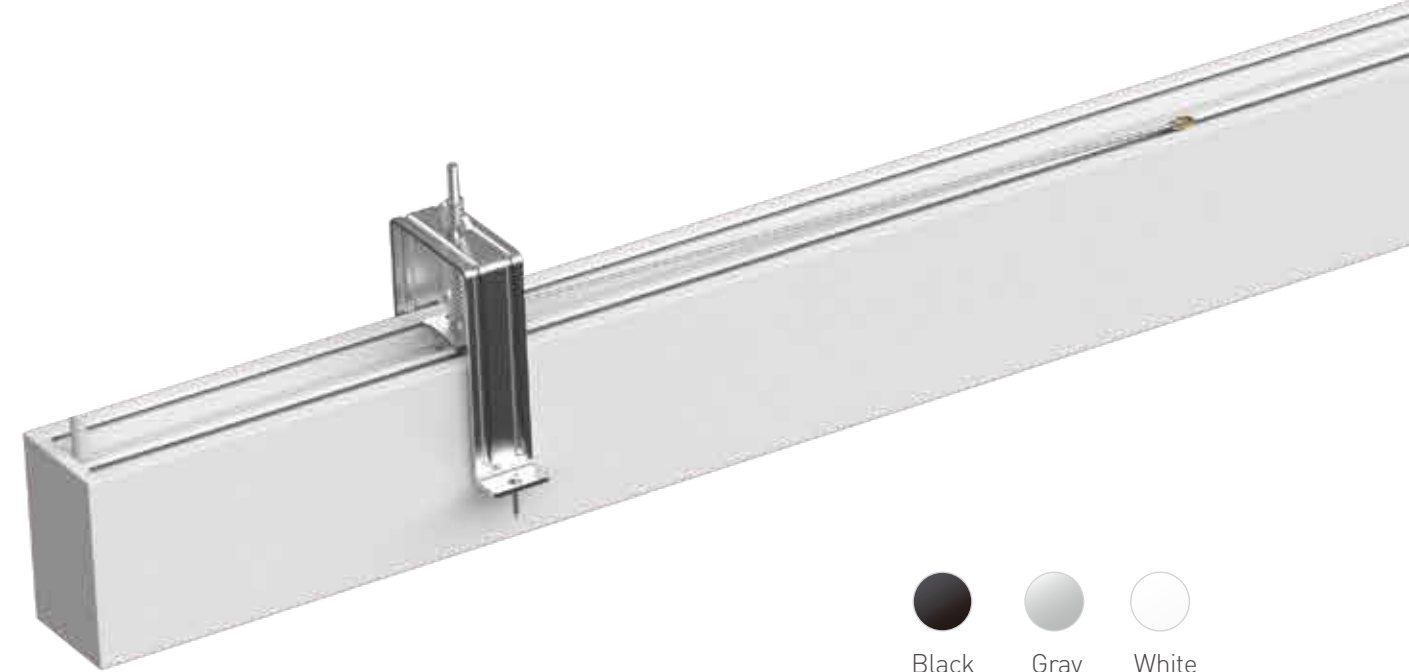
Simple and modern design, screwless at end cap, extrusion aluminum lamp body and PC cover.

## Visual uniformity

Smooth and soft lighting effect, no dark dot and shadow at the lighting area.

## Aluminum alloy 6063-T5

Aluminum alloy 6063-T5 has good thermal conductivity; light weight; high mechanical properties;



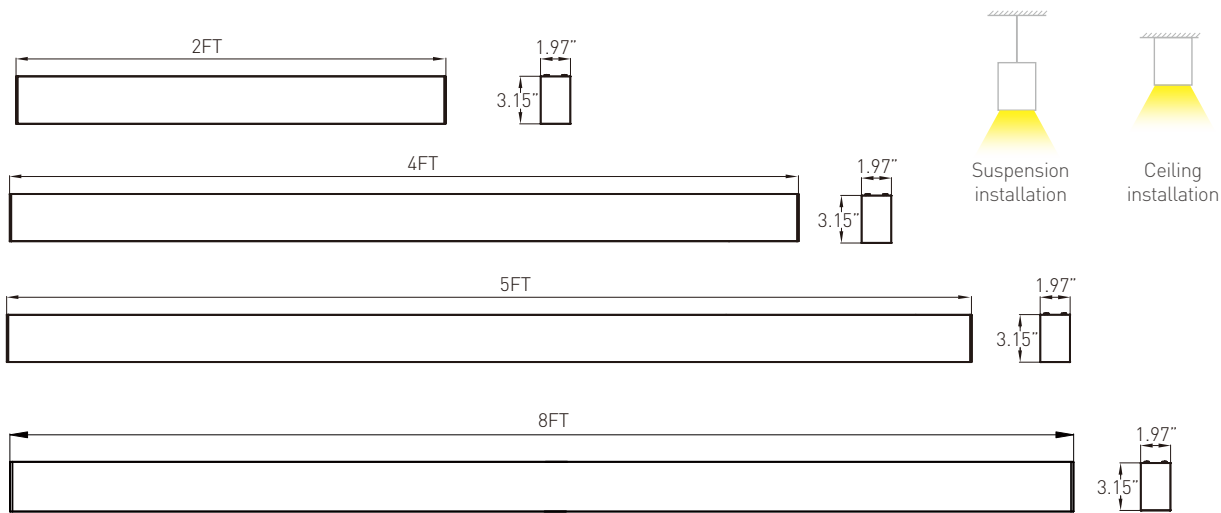
## Easy to install & replace

Light area and power supply is connected by electronic wire with male and female terminal, simple structure facilitating the dismantling and replacing of light area and power supply.

# Parameters



Product name	CCT	Lumen(lm)	Beam angle(°)	LEDs type	CRI	Power(W)	Length	Dimming	Voltage
SL8050	5000K	1728	110°	SMD2835	Ra>80	18W	2FT	0-10V Dimming	AC100-277V 50/60Hz
	4000K	1720							
	3000K	1580							
SL8050	5000K	3560	110°	SMD2835	Ra>80	36W	4FT	0-10V Dimming	AC100-277V 50/60Hz
	4000K	3526							
	3000K	3260							
SL8050	5000K	4303	110°	SMD2835	Ra>80	45W	5FT	0-10V Dimming	AC100-277V 50/60Hz
	4000K	4093							
	3000K	3848							
SL8050	5000K	6300	110°	SMD2835	Ra>80	60W	8FT	0-10V Dimming	AC100-277V 50/60Hz
	4000K	6300							
	3000K	6280							



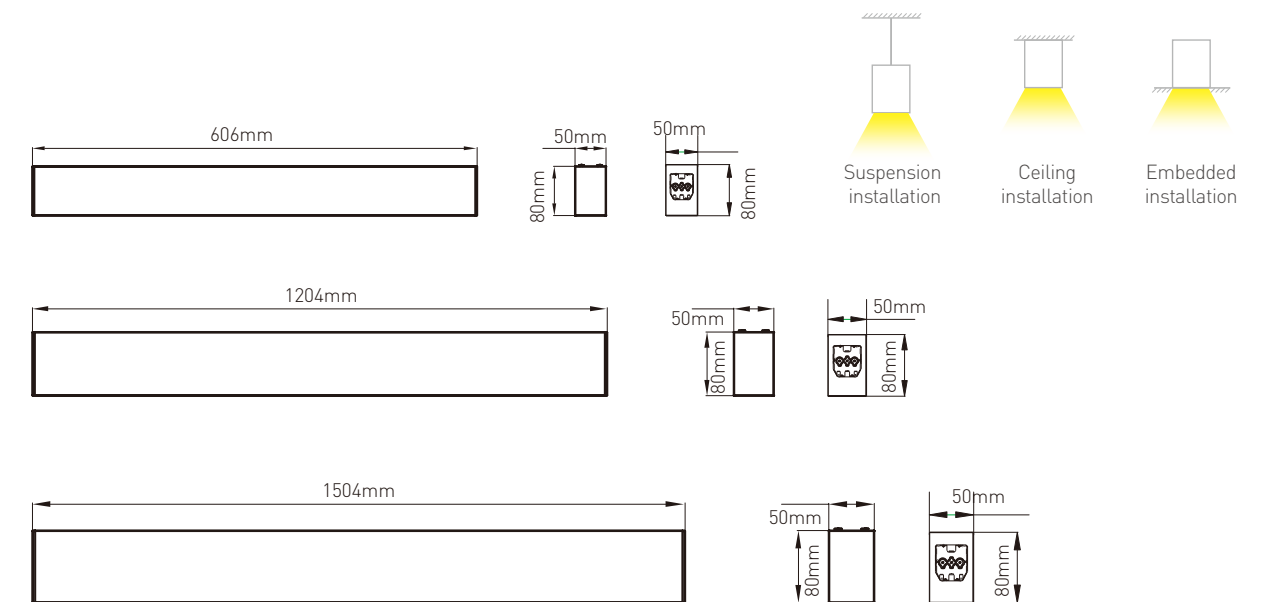
# Package

Product size	Inner size	Carton size	Pack Quantity	Net weight	Gross weight
2FT(18W)	26.61*5.12*4.17inch	26.38*20.94*13.23inch	1 PC/inner box 12 inner boxes/carton	3.33 lb	48.5 lb
4FT(36W)	50.16*5.12*4.17inch	50.71*15.83*9.06inch	1 PC/inner box 6 inner boxes/carton	5.51 lb	39.68 lb
5FT(45W)	60.79*4.72*3.94inch	62.2*16.18*9.06inch	1 PC/inner box 6 inner boxes/carton	6.48 lb	49.16 lb
8FT(60W)	96.39*5.12*4.33inch	96.93*10.79*9.37inch	1 PC/inner box 4 inner boxes/carton	9.92 lb	56.22 lb

# Parameters

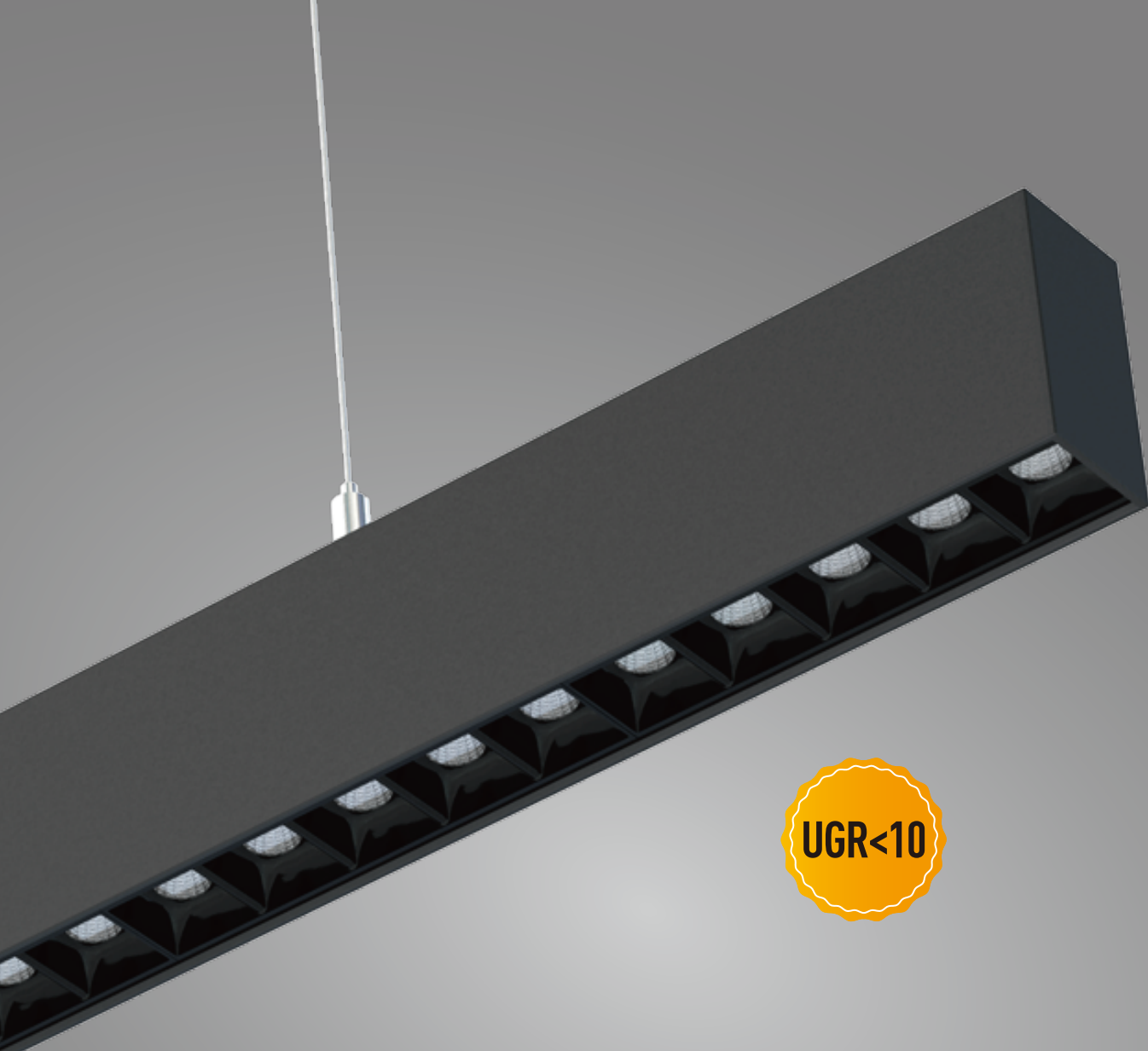


Product name	CCT	Lumen(lm)	Beam angle(°)	LEDs type	CRI	Power(W)	Length	Dimming	Voltage
SL8050	6000-6500K	1656	110°	SMD2835	Ra>80	18W	0.6M	Non-dimming	AC100-240V 50/60Hz
	3800-4200K	1620							
	2800-3200K	1530							
SL8050	6000-6500K	3312	110°	SMD2835	Ra>80	36W	1.2M	Non-dimming	AC100-240V 50/60Hz
	3800-4200K	3240							
	2800-3200K	3060							
SL8050	6000-6500K	4140	110°	SMD2835	Ra>80	45W	1.5M	Non-dimming	AC100-240V 50/60Hz
	3800-4200K	4050							
	2800-3200K	3825							



# Package

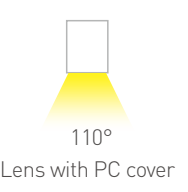
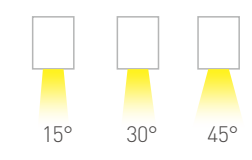
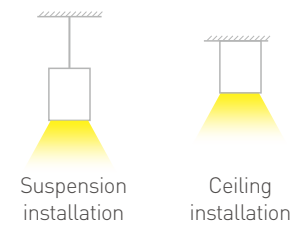
Product size	Inner size	Carton size	Pack Quantity	Net weight	Gross weight
0.6M(18W)	676*130*106mm	690*534*336mm	1 PC/inner box 12 inner boxes/carton	1.22 kg	22.54 kg
1.2M(36W)	1274*130*106mm	1288*404*230mm	1 PC/inner box 6 inner boxes/carton	2.21 kg	20.84 kg
1.5M(45W)	1544*120*100mm	1580*413*230mm	1 PC/inner box 6 inner boxes/carton	2.58 kg	24.6 kg



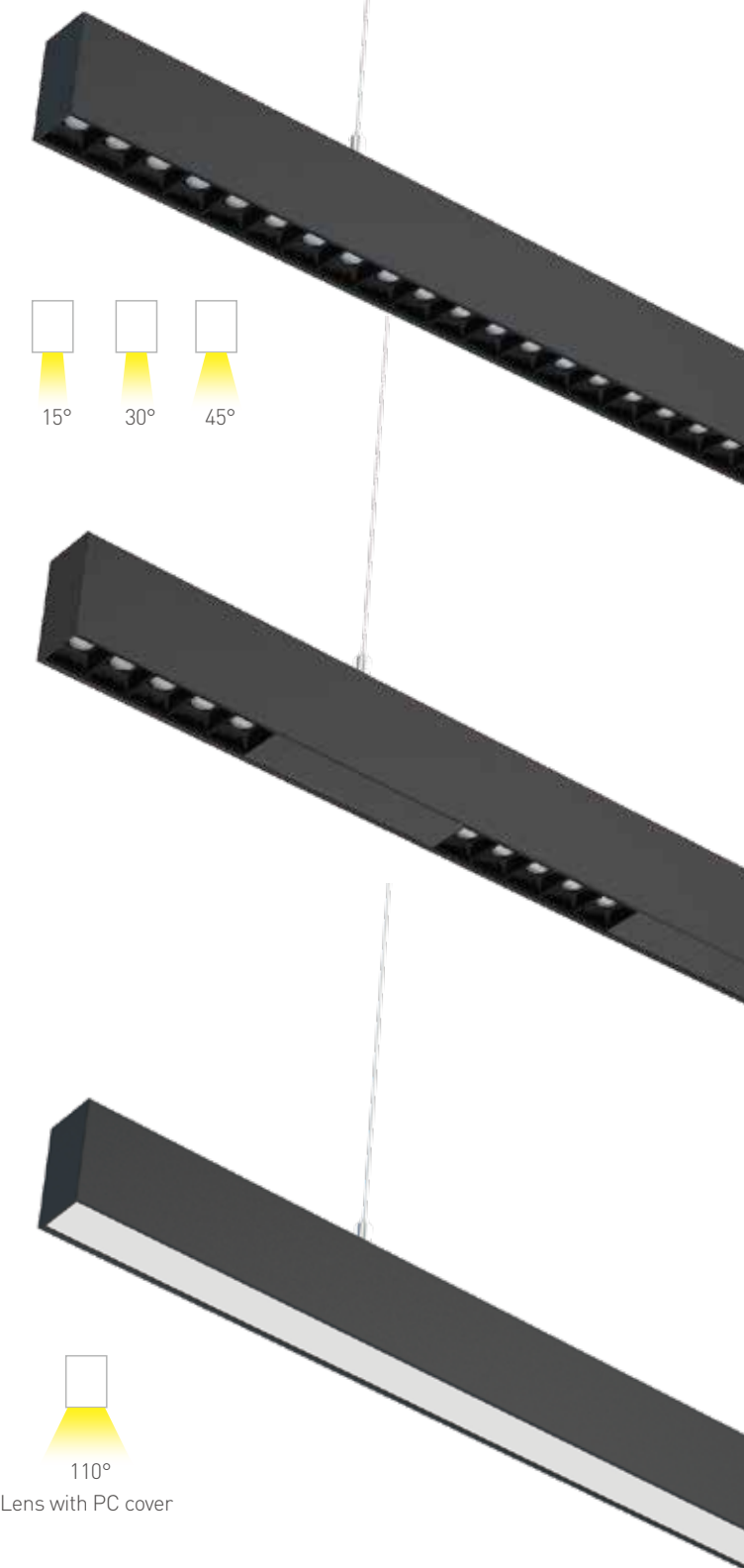
UGR<10

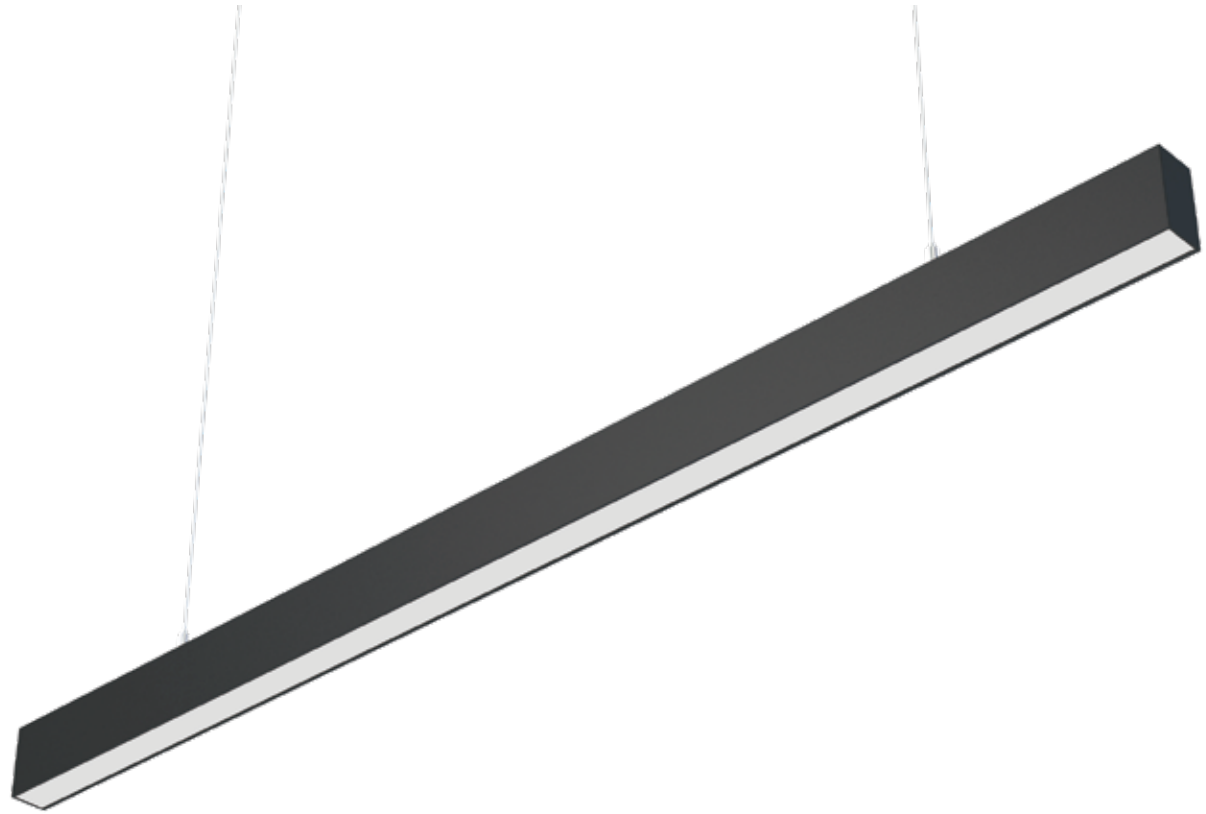
# SL3668

According to length, the product has 3 series, 1.2m, 1.5m and 2.4m; according to luminous surface cover, the product also has 3 series, full PC cover, fully anti-glare kit(RC01) and anti-glare kit and non-luminous area alternation(RC02).



The anti-glare kit is equipped with 3030 assembled LEDs while the PC cover is equipped with 2835 assembled LEDs. The product features small size, low power consumption, long service life, low glare value, low heat, etc. This linear light is made up of an independent split type structure, which facilitates the dismantling, replacing of power supply and replacing of light panel. It sends forth linear light and available beam angle has 15°, 30°, 45° and 120°. The product looks simple, exquisite and graceful and can realize multiple jointing. The product can be widely used in home, school, shopping mall, hotel and other indoor public places. It's mainly made of aluminum alloy and PC.





Black

Gray

White

## Easy to install & replace

Light area and power supply is connected by electronic wire with male and female terminal, simple structure facilitating the dismantling and replacing of light area and power supply

## Seamless jointing

The product can be used in single piece or multiple pieces with seamless jointing and both of them share the same article number, facilitating preparation of goods and production. When the input voltage is AC220V, total power is  $\leq 900W$ .

## Heat dissipation design

The effective heat dissipation design and slow temperature rise of LEDs and power supply ensure high stability for continuous working.

## Eco-friendly, UGR<10

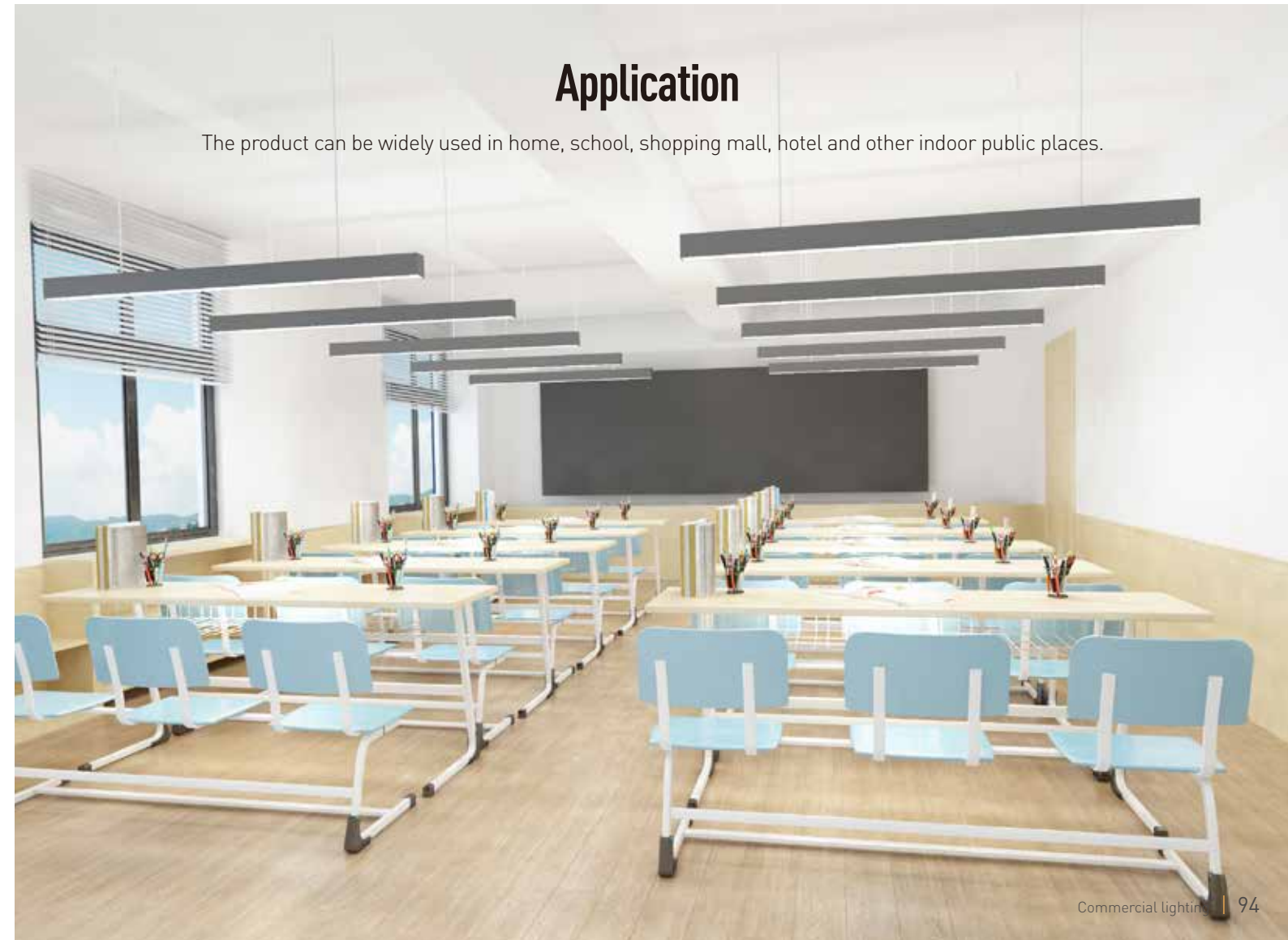
Eco-friendly, no UV, IR and mercury pollution. The cover of anti-glare kit has low glare rating, UGR<10

## Non-flickering driver

The LED driver ensure high stability for continuous working. Can on/off frequently, non-flickering, high CRI

## Application

The product can be widely used in home, school, shopping mall, hotel and other indoor public places.

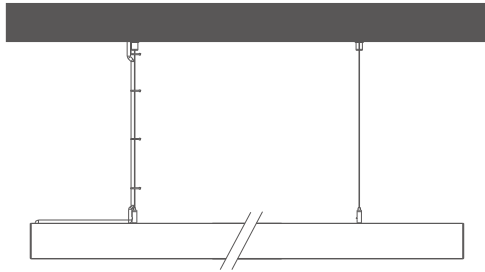




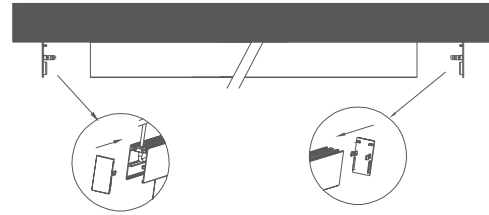
# Installation



Suspension installation



Ceiling installation



Anti-glare kit and non-luminous area alternation (RC02)

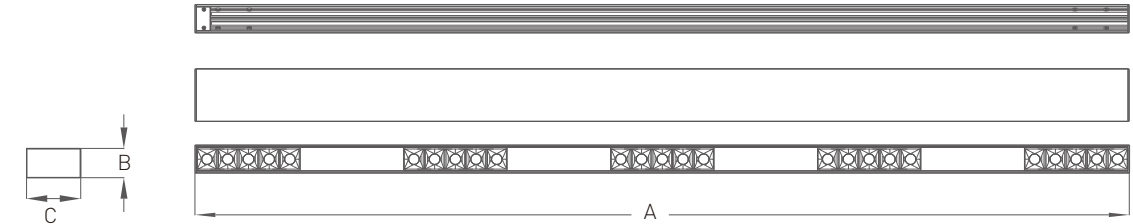
Product name	CCT	Lumen(lm)	Beam angle(°)	LEDs type	CRI	Power(W)	Length	Voltage
SL3668	6000-6500K	1600	45°	SMD3030	Ra>80	20W	1.2M	AC 220-240VAC 50/60Hz
	3800-4200K	1600						
	2800-3200K	1460						
SL3668	6000-6500K	2000	45°	SMD3030	Ra>80	25W	1.5M	AC 220-240VAC 50/60Hz
	3800-4200K	2000						
	2800-3200K	1825						
SL3668	6000-6500K	3068	45°	SMD3030	Ra>80	40W	2.4M	AC 220-240VAC 50/60Hz
	3800-4200K	3068						
	2800-3200K	2660						

# Parameters



Fully anti-glare kit (RC01)

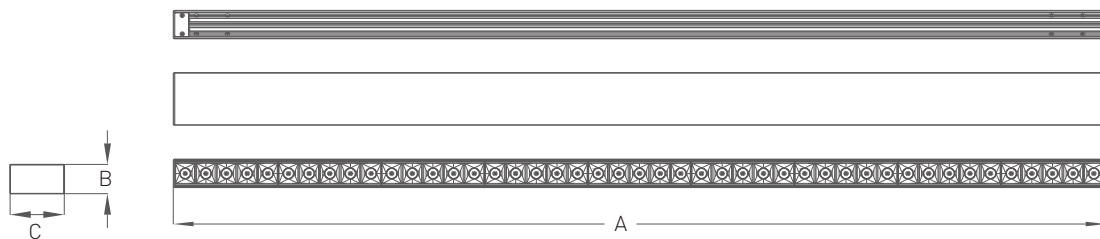
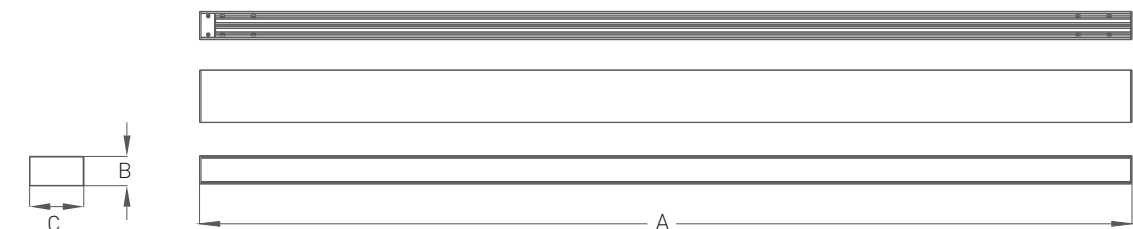
Product name	CCT	Lumen(lm)	Beam angle(°)	LEDs type	CRI	Power(W)	Length	Voltage
SL3668	6000-6500K	3068	45°	SMD3030	Ra>80	40W	1.2M	AC 220-240VAC 50/60Hz
	3800-4200K	3068						
	2800-3200K	2660						
SL3668	6000-6500K	4000	45°	SMD3030	Ra>80	50W	1.5M	AC 220-240VAC 50/60Hz
	3800-4200K	4000						
	2800-3200K	3650						
SL3668	6000-6500K	6400	45°	SMD3030	Ra>80	75W	2.4M	AC 220-240VAC 50/60Hz
	3800-4200K	6400						
	2800-3200K	5800						



Full PC cover



Product name	CCT	Lumen(lm)	Beam angle(°)	LEDs type	CRI	Power(W)	Length	Voltage
SL3668	6000-6500K	3600	110°	SMD2835	Ra>80	40W	1.2M	AC 220-240VAC 50/60Hz
	3800-4200K	3600						
	2800-3200K	3360						
SL3668	6000-6500K	4500	110°	SMD2835	Ra>80	50W	1.5M	AC 220-240VAC 50/60Hz
	3800-4200K	4500						
	2800-3200K	4200						
SL3668	6000-6500K	6750	110°	SMD2835	Ra>80	75W	2.4M	AC 220-240VAC 50/60Hz
	3800-4200K	6750						
	2800-3200K	6730						

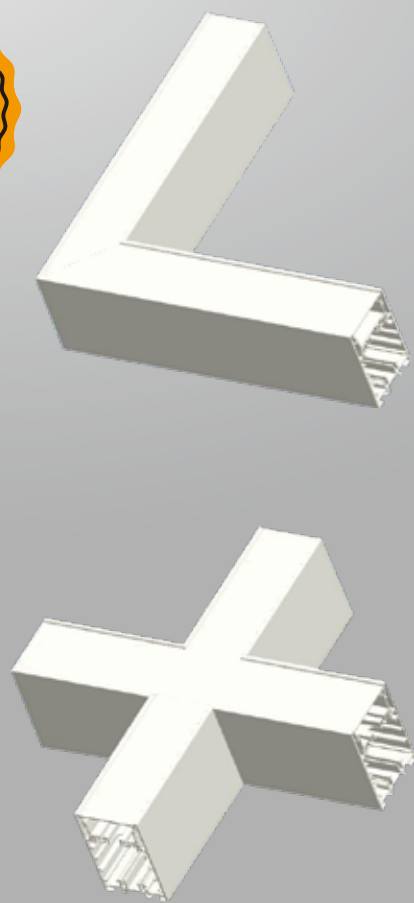


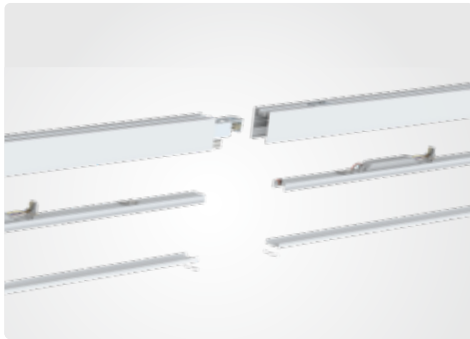
Length	A	B	C
1.2M	1197mm	36.4mm	67.6mm
1.5M	1492mm	36.4mm	67.6mm
2.4M	2389.5mm	36.4mm	67.6mm

# SL8456

110  
LPW

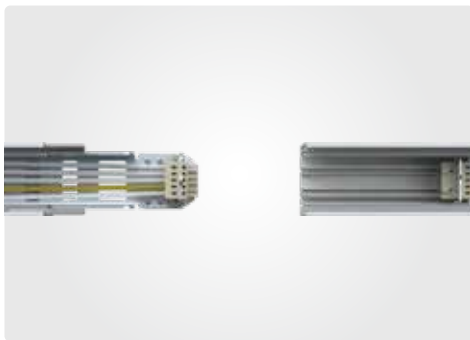
SL8456 linear light is combination of separated structures, which is convenient to dismantle and maintain because of its replaceable power supply and lighting emitting parts(PCB+LEDs), simple shape and random jointing can be realized. IP40 waterproof, it can be widely used in home, school, shopping mall, hotel and other indoor public places and it is mainly made of aluminum alloy, PC.





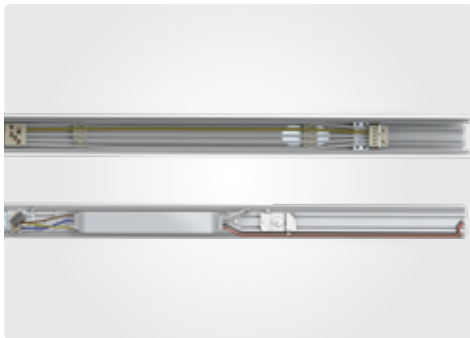
## Seamless jointing

The product can operate in single run or continuous runs seamless, when input voltage is AC277V, Max 3600W(350feet) can be connected; when input voltage is 110V, Max 1500W(150feet) can be connected.



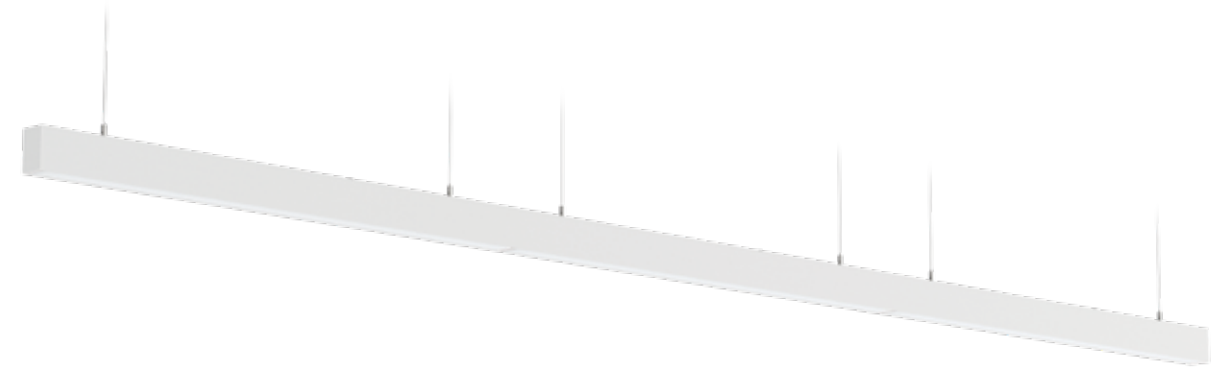
## Easy to install & replace

The lamp and power supply is connected with high-voltage live part via connector; it is very convenient to install and disassemble, and it is also safe and reliable to use.



## Convenient to maintain

The end cap, power supply, emitting parts can be disassembled, convenient to maintain.



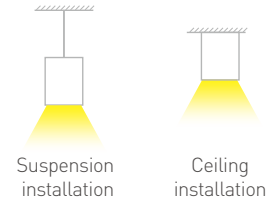
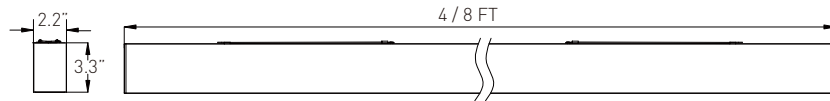
## 6063 aluminum profile

Lamp body adopt 6063 aluminum profile, optional white, black and silver.

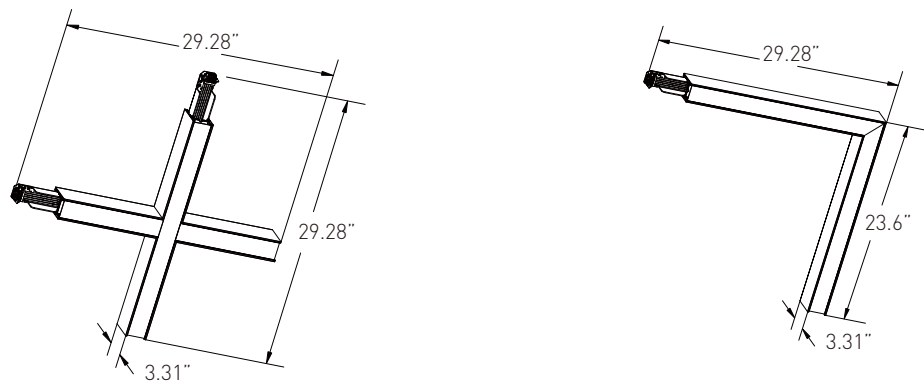
# Parameters



Product name	CCT	Lumen(lm)	Beam angle(°)	LEDs type	CRI	Power(W)	Length	Dimming	Voltage
SL8456	5000K	4320	110°	SMD2835	Ra>80	40W	4FT	0-10V Dimming	AC100-277V 50/60Hz
	4000K	4280							
	3000K	4120							
SL8456	5000K	7875	110°	SMD2835	Ra>80	75W	8FT	0-10V Dimming	AC100-277V 50/60Hz
	4000K	7725							
	3000K	7650							



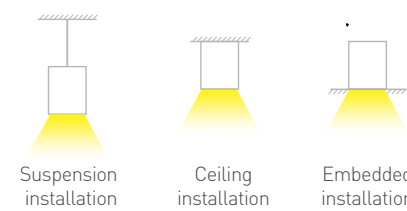
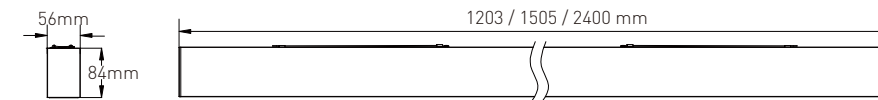
Product name	CCT	Lumen(lm)	Beam angle(°)	LEDs type	CRI	Power(W)	Length	Dimming	Voltage
"L" shape lamp	5000K	4280	110°	SMD2835	Ra>80	40W	2*2FT	0-10V Dimming	AC100-277V 50/60Hz
	4000K	4120							
	3000K	4080							
"+" shape lamp	5000K	4440	110°	SMD2835	Ra>80	75W	2*2FT	0-10V Dimming	AC100-277V 50/60Hz
	4000K	4320							
	3000K	4240							



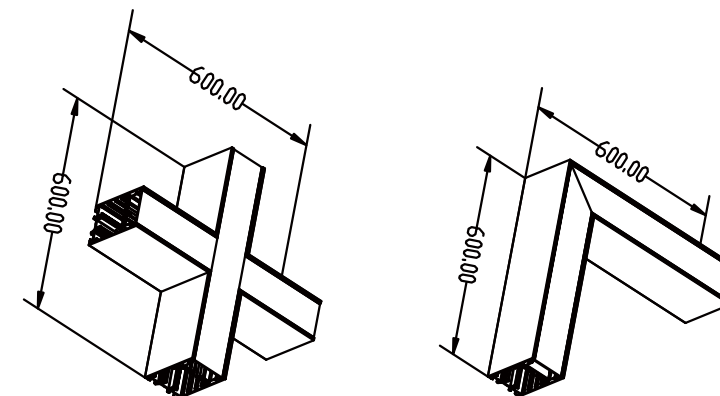
# Parameters

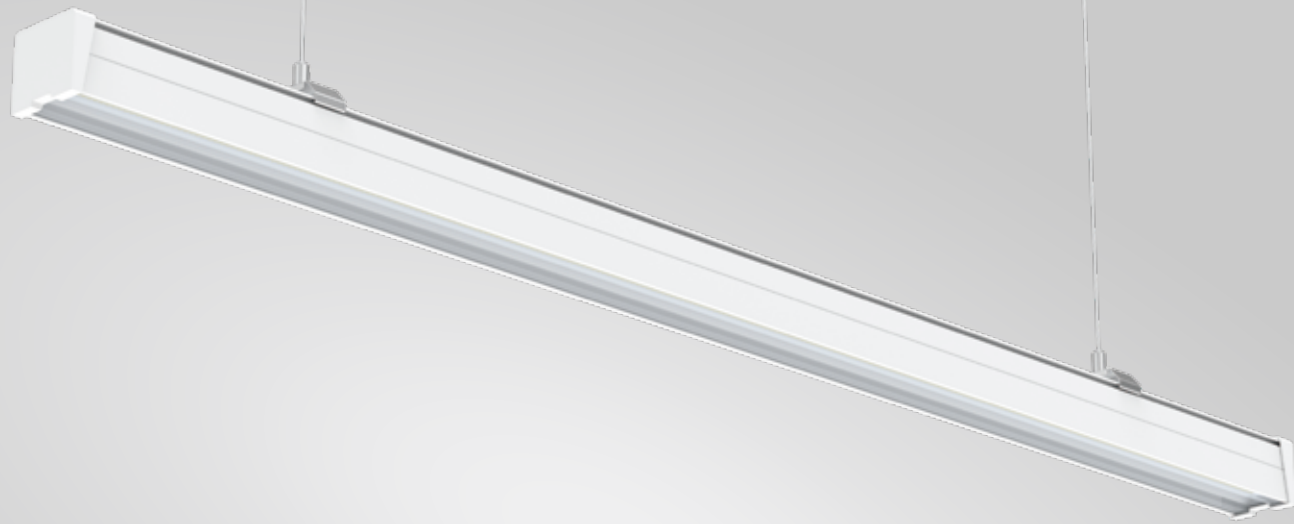


Product name	CCT	Lumen(lm)	Beam angle(°)	LEDs type	CRI	Power(W)	Length	Dimming	Voltage
SL8456	6000-6500K	4030	110°	SMD2835	Ra>80	40W	1.2M	Non-dimming	AC100-240V 50/60Hz
	3800-4200K	3780							
	2800-3200K	3650							
SL8456	6000-6500K	4640	110°	SMD2835	Ra>80	50W	1.5M	Non-dimming	AC100-240V 50/60Hz
	3800-4200K	4600							
	2800-3200K	4090							
SL8456	6000-6500K	6650	110°	SMD2835	Ra>80	75W	2.4M	Non-dimming	AC100-240V 50/60Hz
	3800-4200K	6400							
	2800-3200K	5950							



Product name	CCT	Lumen(lm)	Beam angle(°)	LEDs type	CRI	Power(W)	Length	Dimming	Voltage
"L" shape lamp	6000-6500K	4030	110°	SMD2835	Ra>80	40W	600*600mm	Non-dimming	AC100-240V 50/60Hz
	3800-4200K	3780							
	2800-3200K	3650							
"+" shape lamp	6000-6500K	4030	110°	SMD2835	Ra>80	75W	600*600mm	Non-dimming	AC100-240V 50/60Hz
	3800-4200K	3780							
	2800-3200K	3650							





# SL5550

**140**  
LPW

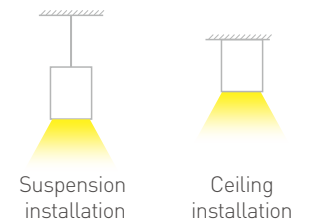
The lights are mainly used in site that requires continuous lighting and different irradiation angle. The light body has simple appearance with soft light. With multiple irradiation angles for selection, it is widely used in large department stores, workshops, supermarket, warehouse, parking lots and so on.



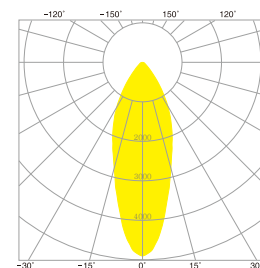
## Seamless splicing design



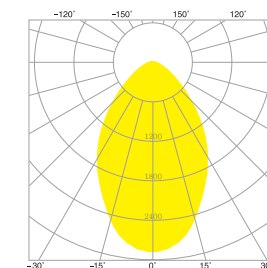
The track adopts splicing design, which allows continuous connection. The track is tensioned with spring buckles to realize seamless connection.



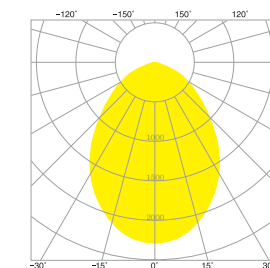
Beam angle: 30°, 60°, 90°, available.



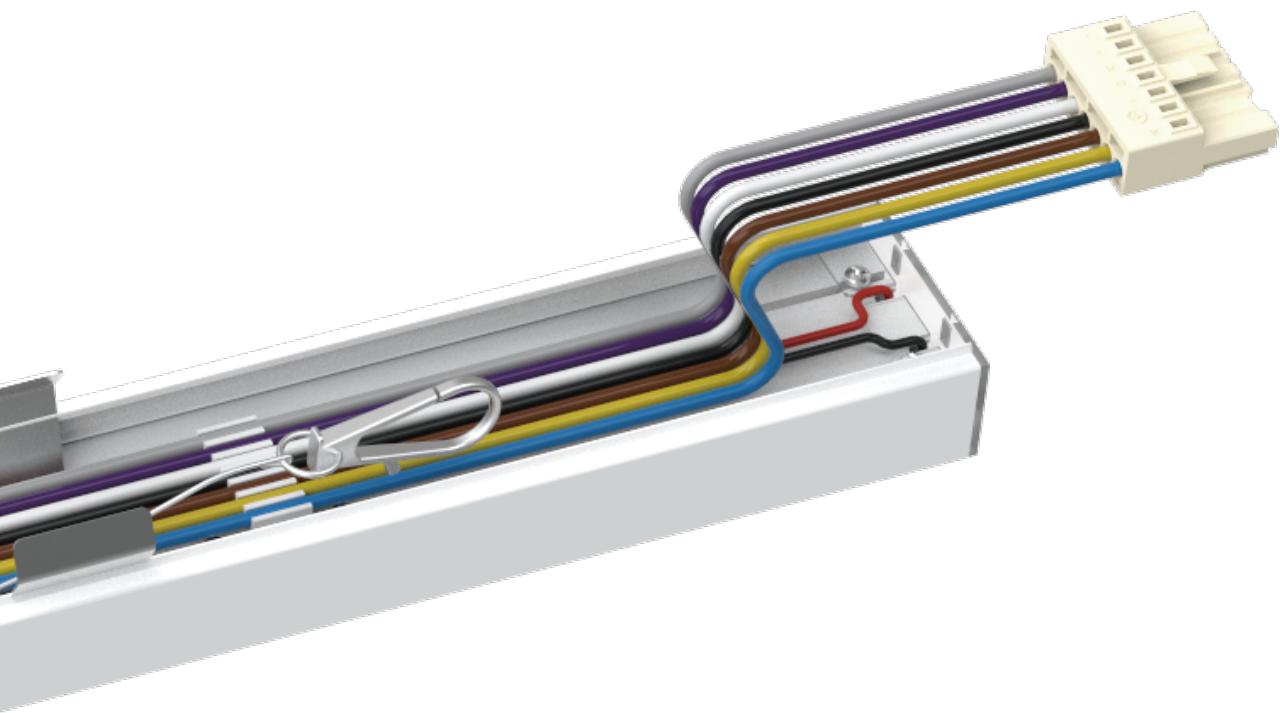
30°



60°



90°



## Quick connection

The inside of the light adopts 1.5mm<sup>2</sup> multiple-core copper wire and WAGO male and female of terminal of plug-in connectors to realize quick connection among lights.

## Flame retardant PC wire

The wires adopt inflaming retarding PC wire clip so that the wire inside the light is neat and orderly.

## Aluminum + PMMA lens

Adoption of aluminum alloy section + PMMA lens, surface powder coating technology, exquisite overall appearance, simple structure, light weight, good heat dissipation and optical property.

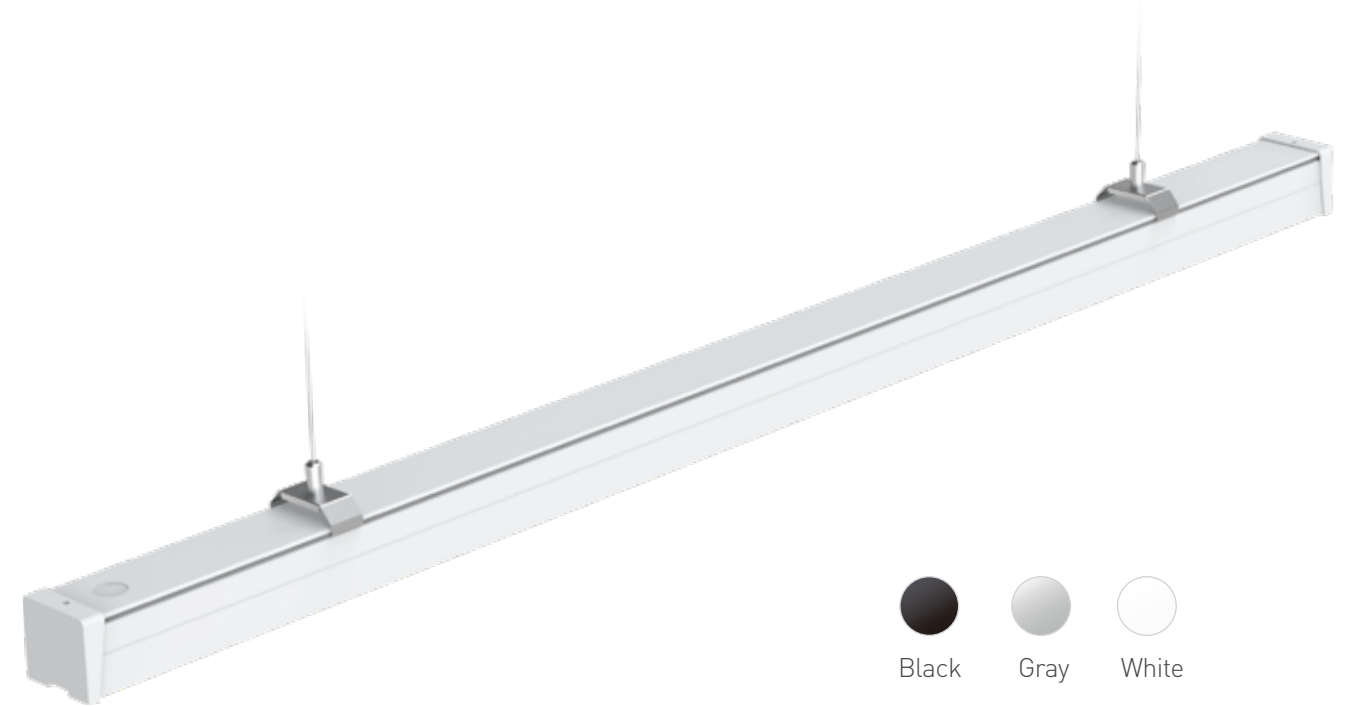


## Safe and reliable

The push type hoisting buckles adopt stainless steel 301 materials and reverse buckle structure, which allows quick installation and is safe and reliable.

## Dimming function

With the dimming function, it may provide DALI and 0-10V dimming.

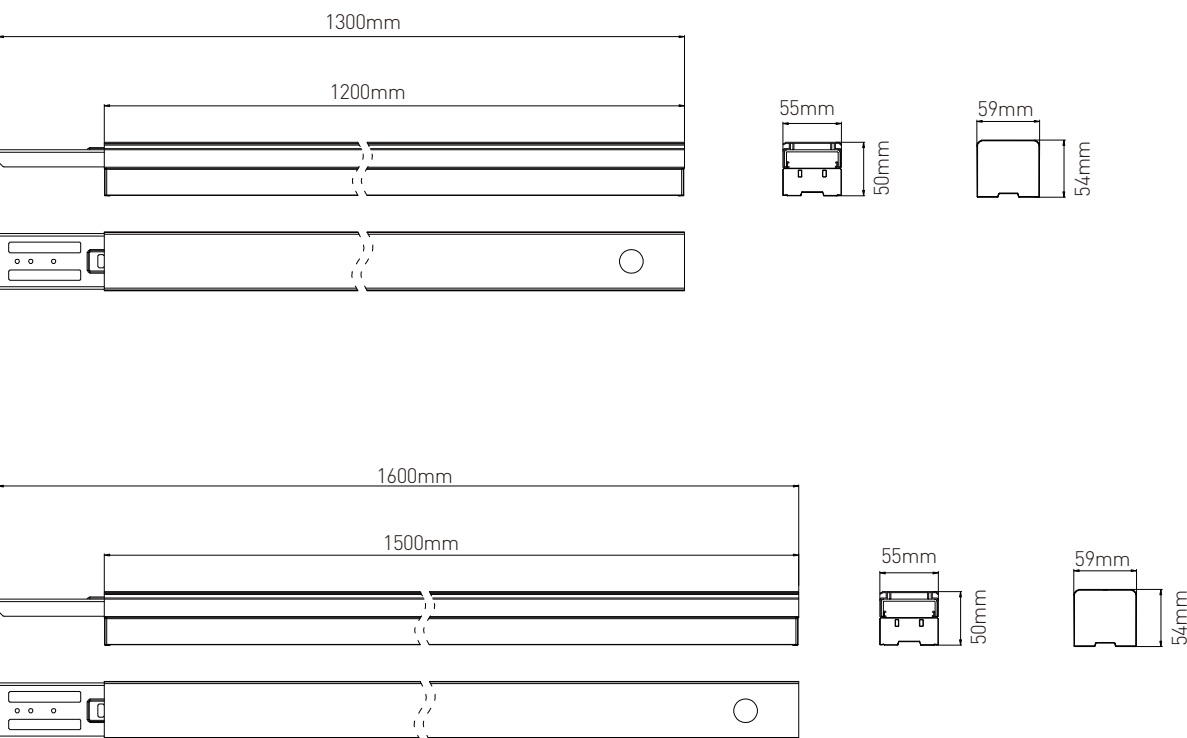
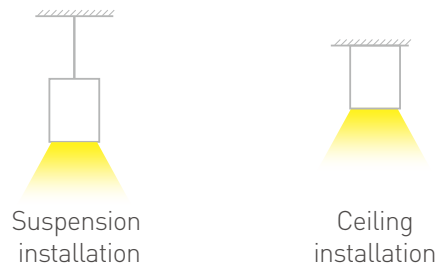


## Spring buckles to connection

The light body adopts split type design. The light body and track use stainless steel 301 Shrapnel for connection. It is designed with auxiliary safety rope, making it convenient to install and dismantle the light and track and maintenance.

# Installation

Two installation methods, suspension installation and ceiling installation.



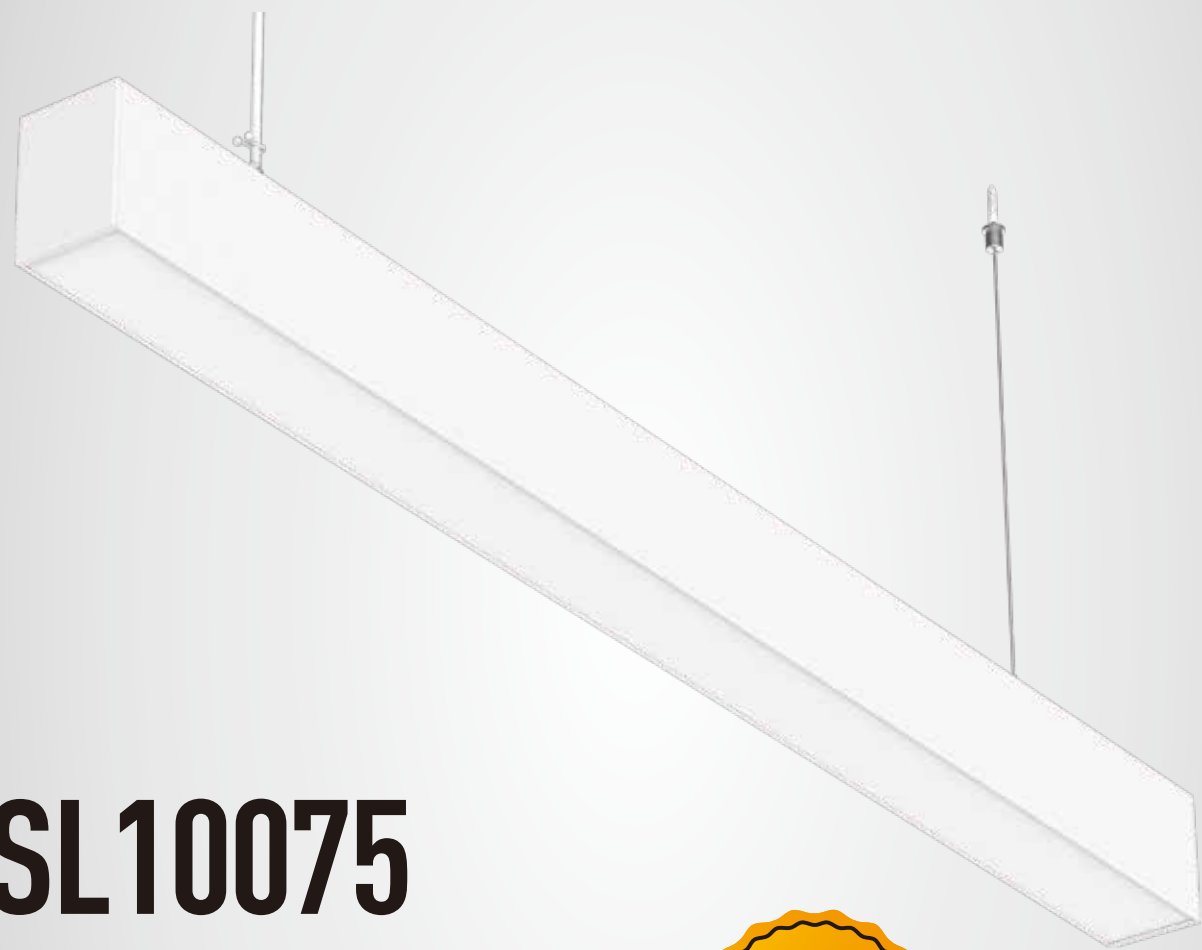
# Parameters



Product name	CCT	Lumen(lm)	Beam angle(°)	LEDs type	CRI	Power(W)	Length	Dimming	Voltage
SL5550	6000-6500K	6250	30° /60° /90°	SMD2835	Ra>80	50W	1.2M	Non/0-10V /DALI	AC100-240V 50/60Hz
	3800-4200K	6000							
	2800-3200K	5750							
SL5550	6000-6500K	8125	30° /60° /90°	SMD2835	Ra>80	65W	1.5M	Non/0-10V /DALI	AC100-240V 50/60Hz
	3800-4200K	7800							
	2800-3200K	8125							

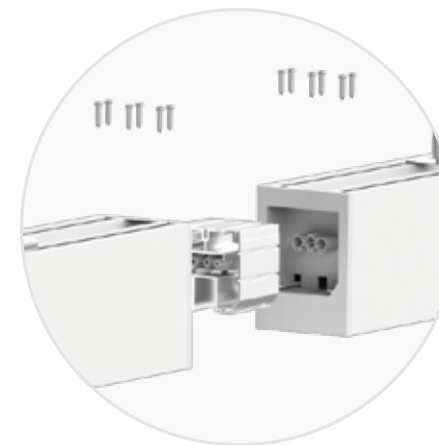
# Package

Product size	Inner size	Carton size	Pack Quantity	Net weight	Gross weight
1.2M(50W)	1350*85*90mm	1370*190*380mm	1 PC/inner box 8 inner boxes/carton	2.5 kg	21 kg
1.5M(65W)	1650*85*90mm	1670*190*380mm	1 PC/inner box 8 inner boxes/carton	3.0 kg	25 kg



# SL10075

It is exclusively designed for designer and architect with imagination and personal style. Adopt premium aluminum profile, different dimension and size, easy to install. And different customized dimensions are also acceptable, which can meet installation requirement of different fields and occasions.



## Seamless splicing design

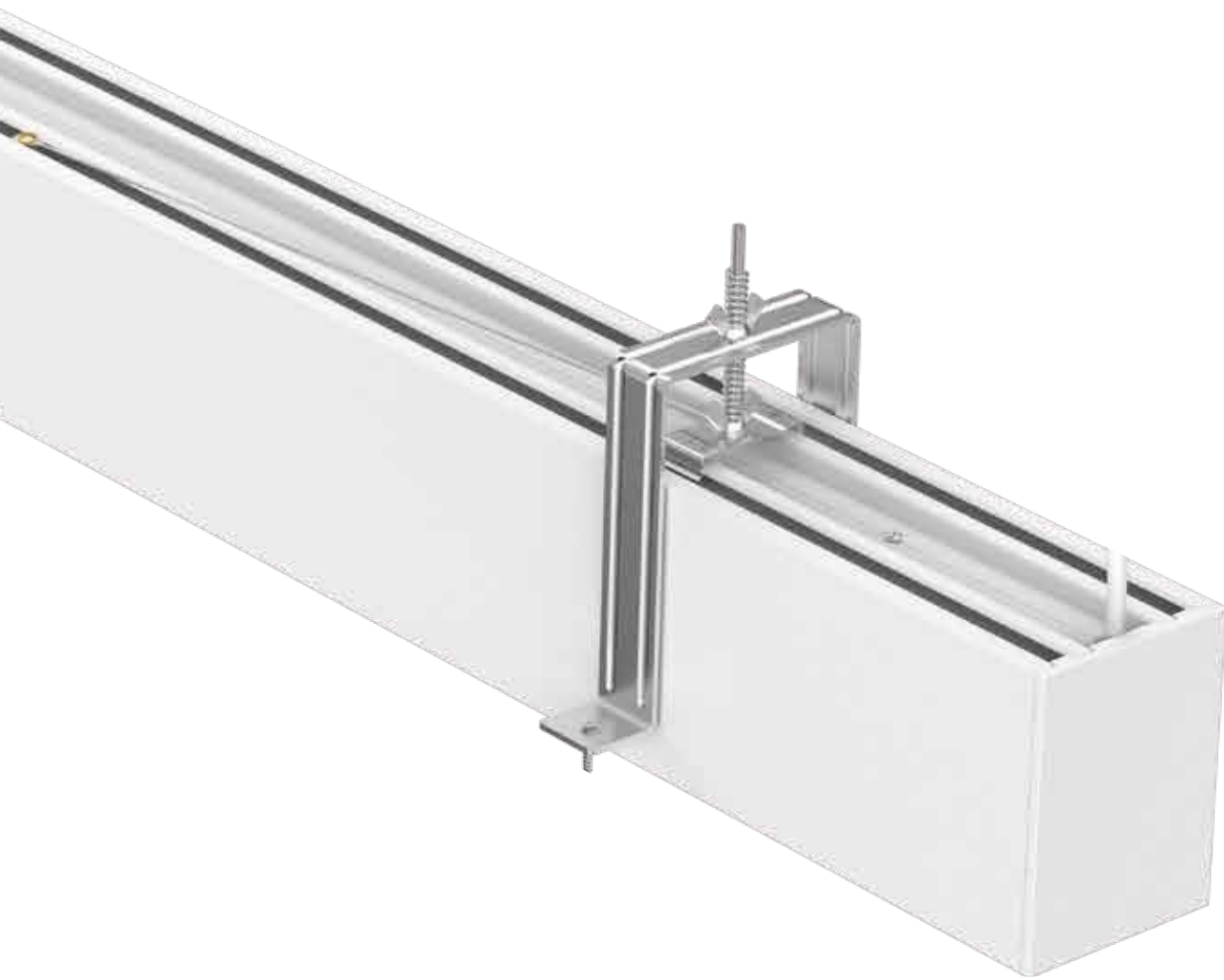


The track adopts splicing design, which allows continuous connection. The track is tensioned with spring buckles to realize seamless connection.



will do my best to create  
more and more profit for  
company when at work,  
and to improve the living quality  
of my family, speaking of myself.





## Simple structure

Simple and modern design, screwless at end cap, extrusion aluminum lamp body and PC cover.

## Visual uniformity

Smooth and soft lighting effect, no dark dot and shadow at the lighting area.

## Energy saving up to 90%

Energy-saving percentage (compared with traditional type) with energy savings of up to 90% than incandescent light.

## Easy to install & replace

Light area and power supply is connected by electronic wire with male and female terminal, simple structure facilitating the dismantling and replacing of light area and power supply;

## High efficiency

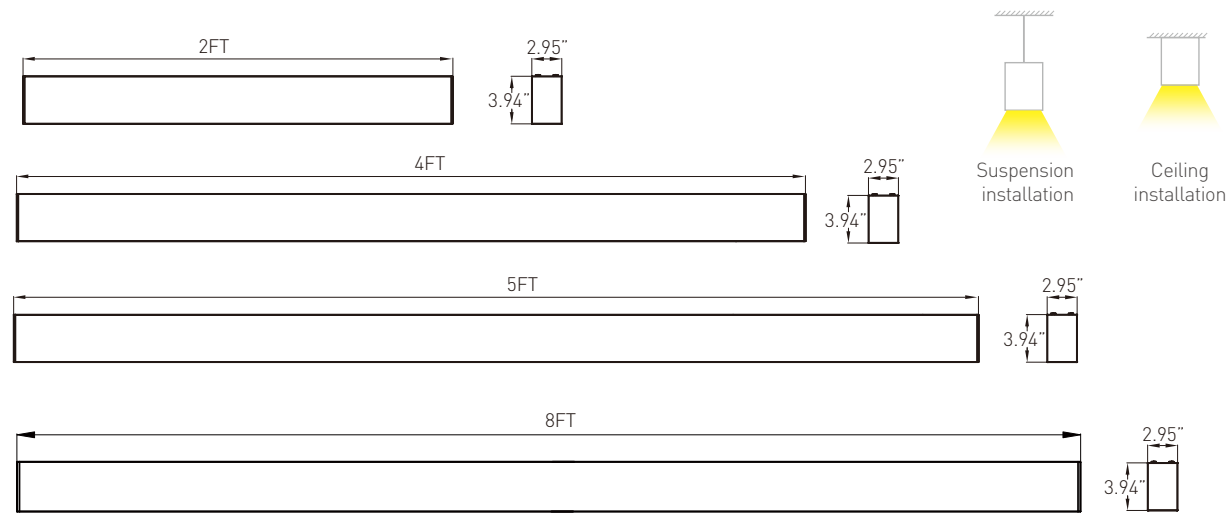
High efficiency up to 105LPW, DLC standard for optional.



# Parameters



Product name	CCT	Lumen(lm)	Beam angle(°)	LEDs type	CRI	Power(W)	Length	Dimming	Voltage
SL10075	● 5000K	2072	110°	SMD2835	Ra>80	20W	2FT	0-10V Dimming	AC100-277V 50/60Hz
	● 4000K	2056							
	● 3000K	1955							
SL10075	● 5000K	3905	110°	SMD2835	Ra>80	40W	4FT	0-10V Dimming	AC100-277V 50/60Hz
	● 4000K	3871							
	● 3000K	3664							
SL10075	● 5000K	5264	110°	SMD2835	Ra>80	50W	5FT	0-10V Dimming	AC100-277V 50/60Hz
	● 4000K	5043							
	● 3000K	4986							
SL10075	● 5000K	7890	110°	SMD2835	Ra>80	75W	8FT	0-10V Dimming	AC100-277V 50/60Hz
	● 4000K	7875							
	● 3000K	7600							



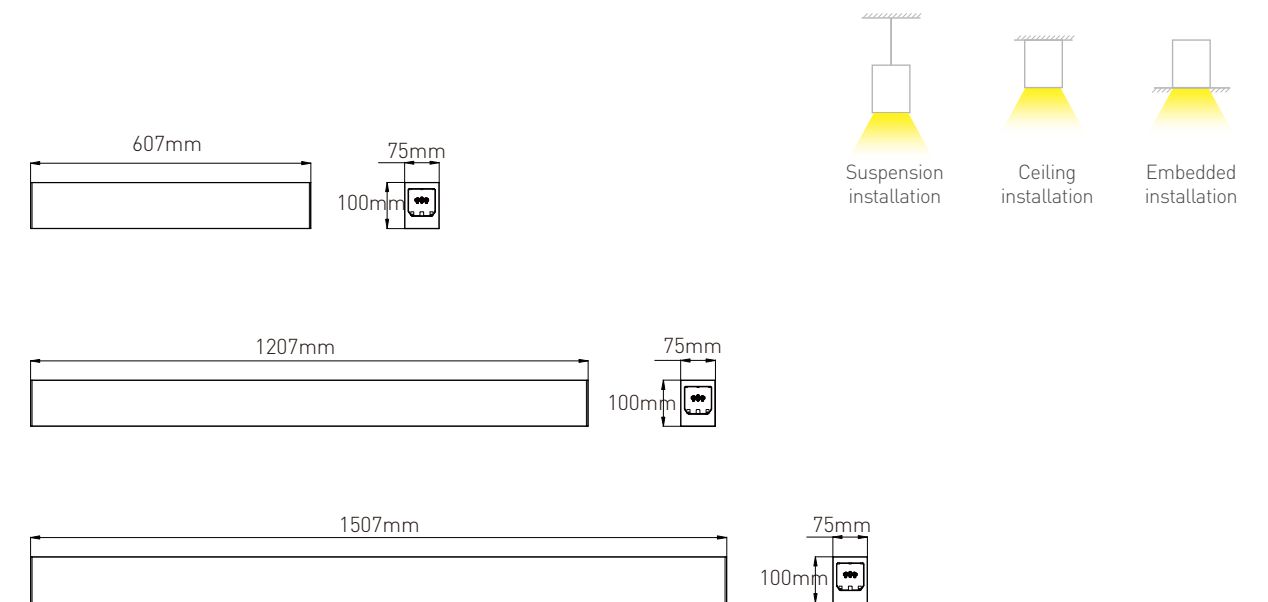
# Package

Product size	Inner size	Carton size	Pack Quantity	Net weight	Gross weight
2FT(18W)	26.61*5.12*4.17inch	26.38*20.94*13.23inch	1 PC/inner box 12 inner boxes/carton	3.33 lb	48.5 lb
4FT(36W)	50.16*5.12*4.17inch	50.71*15.83*9.06inch	1 PC/inner box 6 inner boxes/carton	5.51 lb	39.68 lb
5FT(45W)	60.79*4.72*3.94inch	62.2*16.18*9.06inch	1 PC/inner box 6 inner boxes/carton	6.48 lb	49.16 lb
8FT(60W)	96.39*5.12*4.33inch	96.93*10.79*9.37inch	1 PC/inner box 4 inner boxes/carton	9.92 lb	56.22 lb

# Parameters



Product name	CCT	Lumen(lm)	Beam angle(°)	LEDs type	CRI	Power(W)	Length	Dimming	Voltage
SL10075	● 2800-3200K	1661	110°	SMD2835	Ra>80	20W	0.6M	Non-dimming	AC100-240V 50/60Hz
	● 3800-4200K	1732							
	● 6000-6500K	1812							
SL10075	● 2800-3200K	3460	110°	SMD2835	Ra>80	40W	1.2M	Non-dimming	AC100-240V 50/60Hz
	● 3800-4200K	3557							
	● 6000-6500K	3630							
SL10075	● 2800-3200K	4072	110°	SMD2835	Ra>80	50W	1.5M	Non-dimming	AC100-240V 50/60Hz
	● 3800-4200K	4295							
	● 6000-6500K	4491							



# Package

Product size	Inner size	Carton size	Pack Quantity	Net weight	Gross weight
0.6M(20W)	676*130*106mm	690*534*336mm	1 PC/inner box 12 inner boxes/carton	1.22 kg	22.54 kg
1.2M(40W)	1274*130*106mm	1288*404*230mm	1 PC/inner box 6 inner boxes/carton	2.21 kg	20.84 kg
1.5M(50W)	1544*120*100mm	1580*413*230mm	1 PCS/inner box 6 inner boxes/carton	2.58 kg	24.6 kg

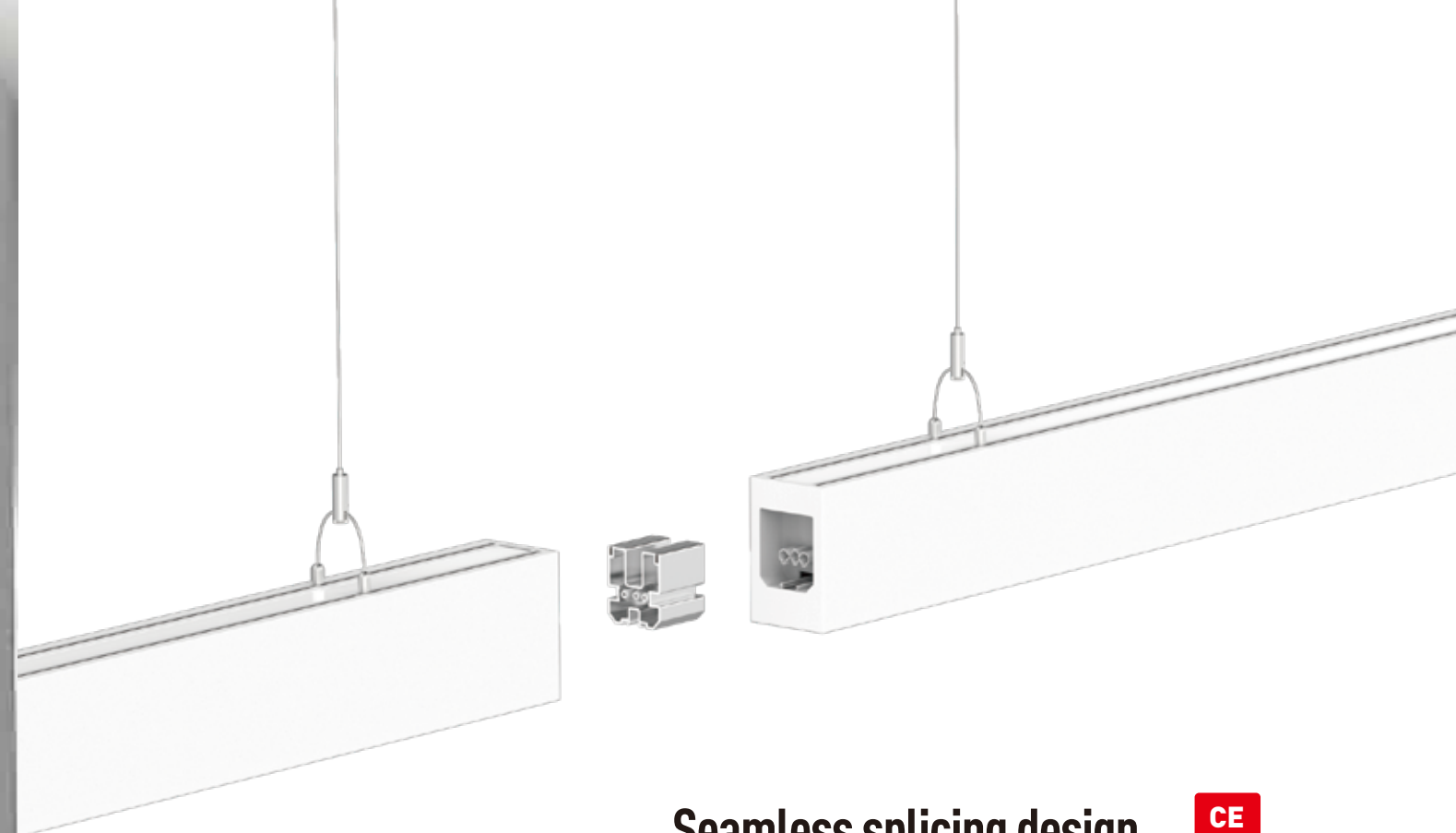
30%  
Brightness

70%  
Brightness

# SL11070

105  
LPW

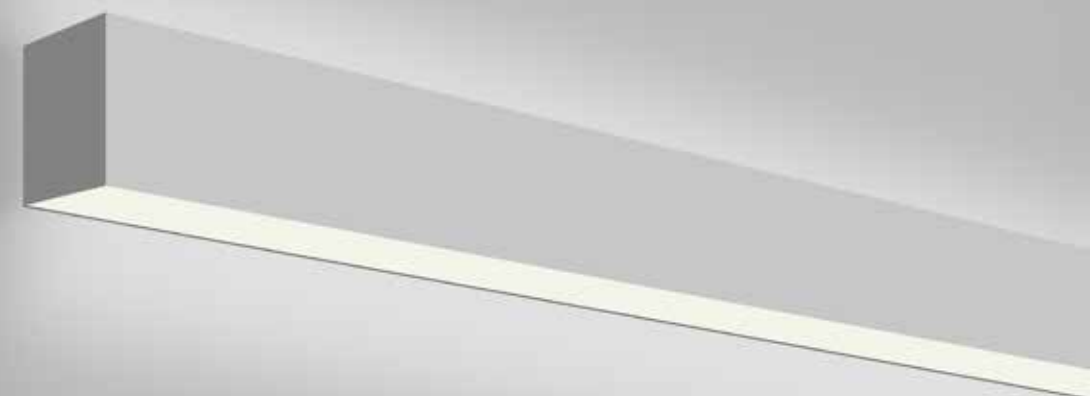
SL 11070 with excellent 6063 extrusion aluminum, reliable LEDs and PC diffuser, it has high light efficiency and uniform light distribution. It provides up-and down lighting and allows 2 ways of installation: wall mounted and suspension. It can be widely used as wall lighting for decoration and also main lighting for office, shops, hospital, school and so on.



## Seamless splicing design

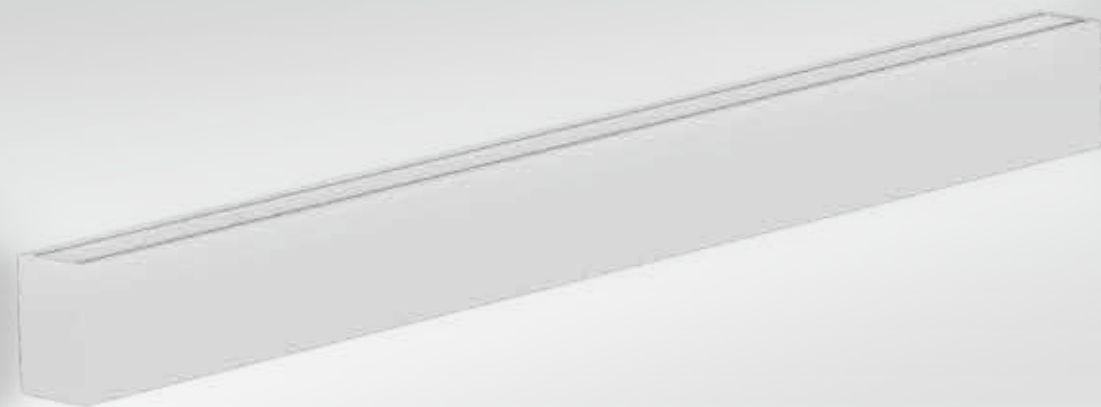


The track adopts splicing design, which allows continuous connection. The track is tensioned with spring buckles to realize seamless connection.



## Simple structure

Simple and modern design, screwless at end cap, extrusion aluminum lamp body and PC cover.



## Applications

Suitable for hotels, conference rooms, factories, offices, commercial purposes, institution buildings, schools, colleges, universities, hospitals and other places which needs energy saving and high color rendering index lighting.

## Upper and lower double-sided illumination

Upper and lower illumination, 30% brightness above, 70% brightness below.

## Simple structure

Simple and modern design, screwless at end cap, extrusion aluminum lamp body and PC cover.

## Energy saving up to 90%

Energy-saving percentage (compared with traditional type) with energy savings of up to 90% than incandescent light.



## Easy to install & replace

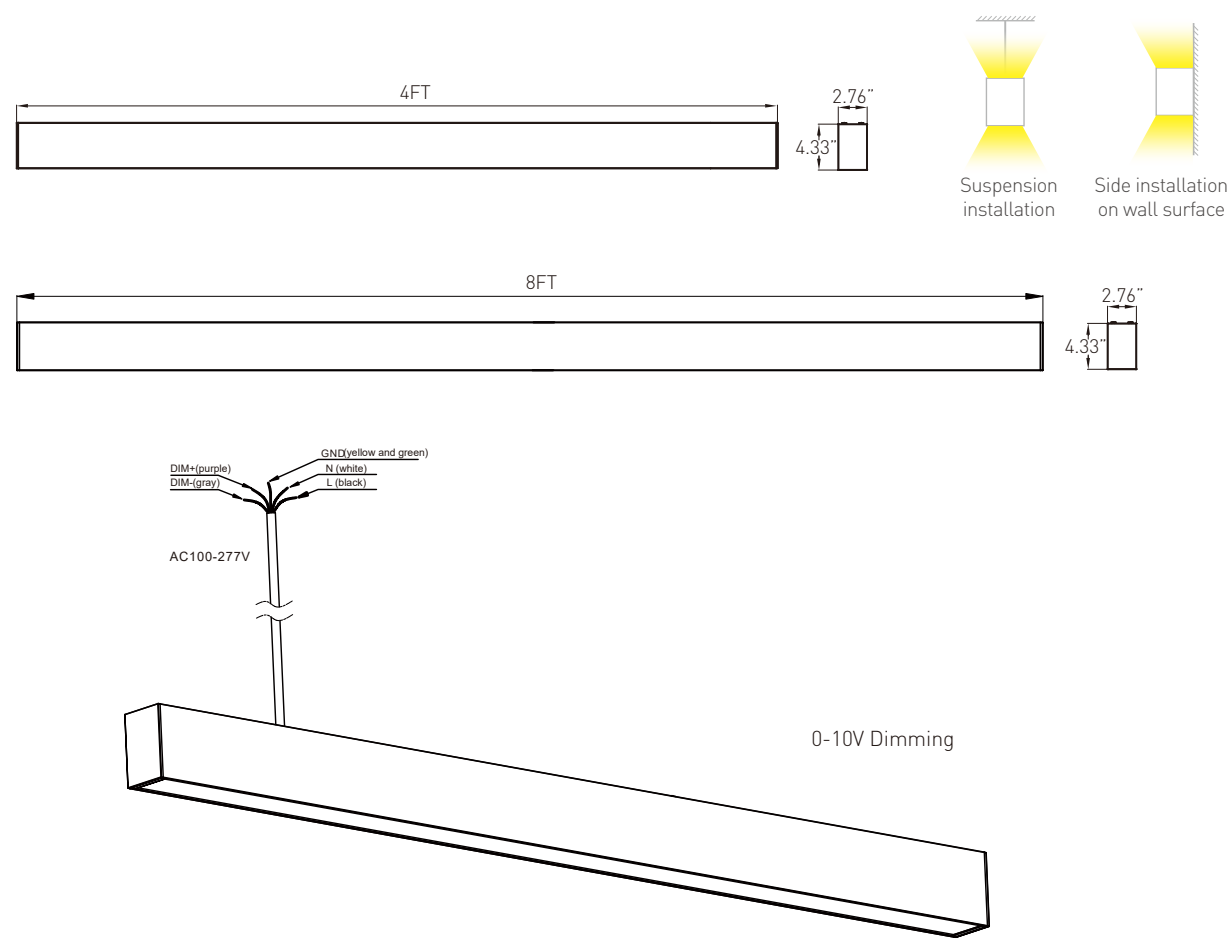
Light area and power supply is connected by electronic wire with male and female terminal, simple structure facilitating the dismantling and replacing of light area and power supply.

# Parameters



Product name	CCT	Lumen(lm)	Beam angle(°)	LEDs type	CRI	Power(W)	Length	Dimming	Voltage
SL11070	5000K	4645	110°	SMD2835	Ra>80	50W	4FT	0-10V Dimming	AC100-277V 50/60Hz
	4000K	4400							
	3000K	4250							
SL11070	5000K	6975	110°	SMD2835	Ra>80	75W	8FT	0-10V Dimming	AC100-277V 50/60Hz
	4000K	6594							
	3000K	6300							

Remark:3500K and 4500K is provided for optional



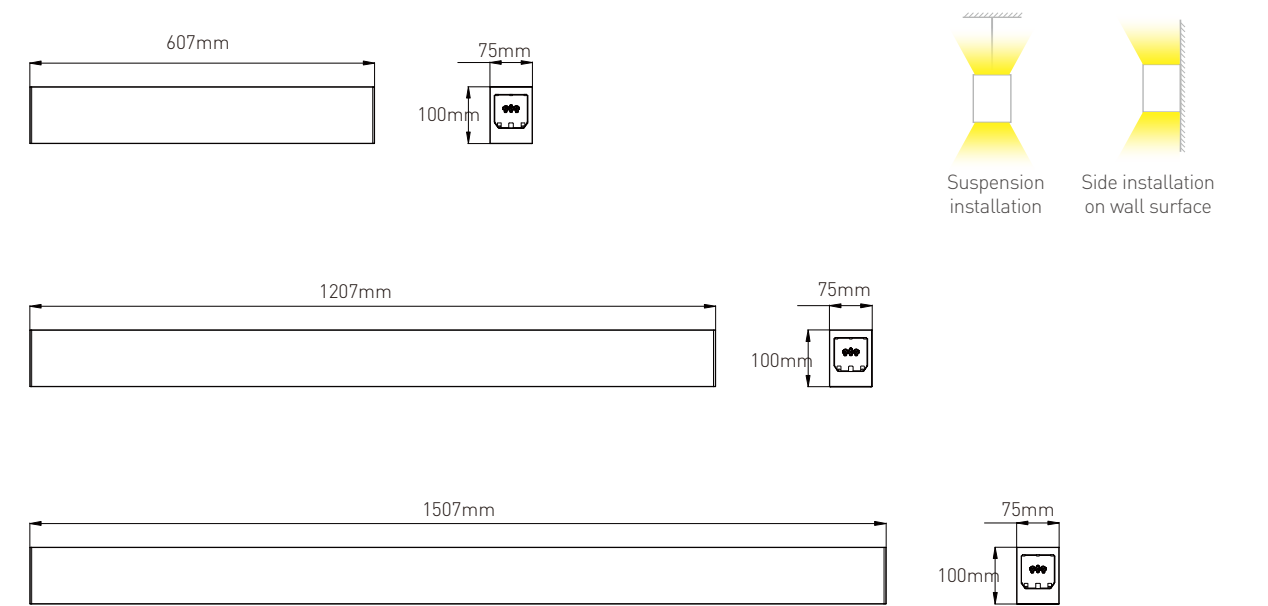
## Package

Product size	Inner size	Carton size	Pack Quantity	Net weight	Gross weight
4FT(50W)	50.16*5.91*5.16inch	50.17*18.31*11.02inch	1 PC/inner box 6 inner boxes/carton	8.21 lb	59.86 lb
8FT(75W)	96.38*5.91*5.31inch	96.93*12.4*11.34inch	1 PC/inner box 4 inner boxes/carton	15.08 lb	77.96 lb

# Parameters



Product name	CCT	Lumen(lm)	Beam angle(°)	LEDs type	CRI	Power(W)	Length	Dimming	Voltage
SL11070	6000-6500K	2703	110°	SMD2835	Ra>80	28W	0.6M	Non-dimming	AC100-240V 50/60Hz
	3800-4200K	2658							
	2800-3200K	2469							
SL11070	6000-6500K	5340	110°	SMD2835	Ra>80	56W	1.2M	Non-dimming	AC100-240V 50/60Hz
	3800-4200K	5246							
	2800-3200K	4953							
SL11070	6000-6500K	6704	110°	SMD2835	Ra>80	75W	1.5M	Non-dimming	AC100-240V 50/60Hz
	3800-4200K	6520							
	2800-3200K	6214							

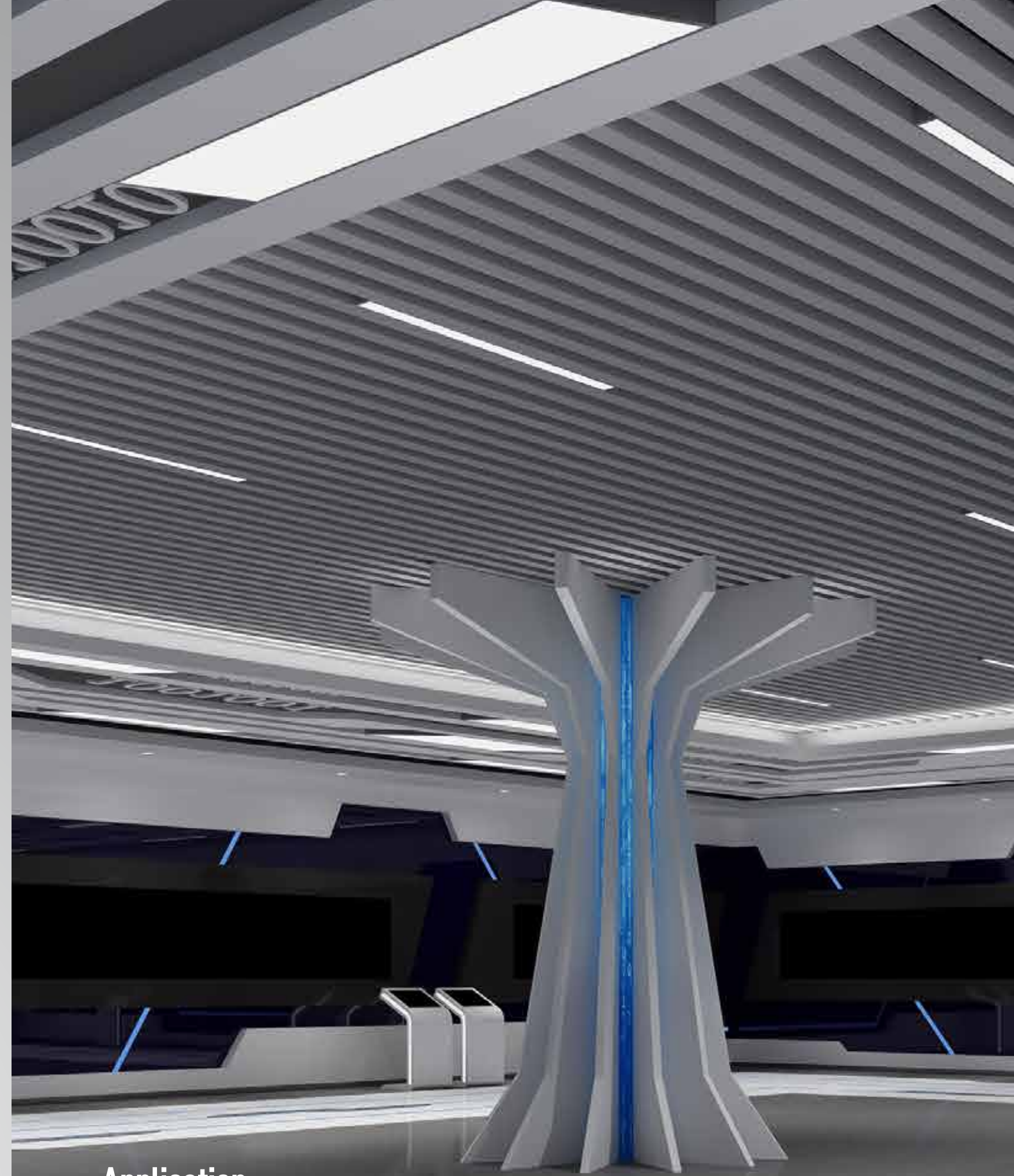


## Package

Product size	Inner size	Carton size	Pack Quantity	Net weight	Gross weight
0.6M(20W)	676*130*106mm	690*534*336mm	1 PC/inner box 12 inner boxes/carton	1.22 kg	22.54 kg
1.2M(40W)	1274*130*106mm	1288*404*230mm	1 PC/inner box 6 inner boxes/carton	2.21 kg	20.84 kg
1.5M(50W)	1544*120*100mm	1580*413*230mm	1 PC/inner box 6 inner boxes/carton	2.58 kg	24.6 kg

# RL4932

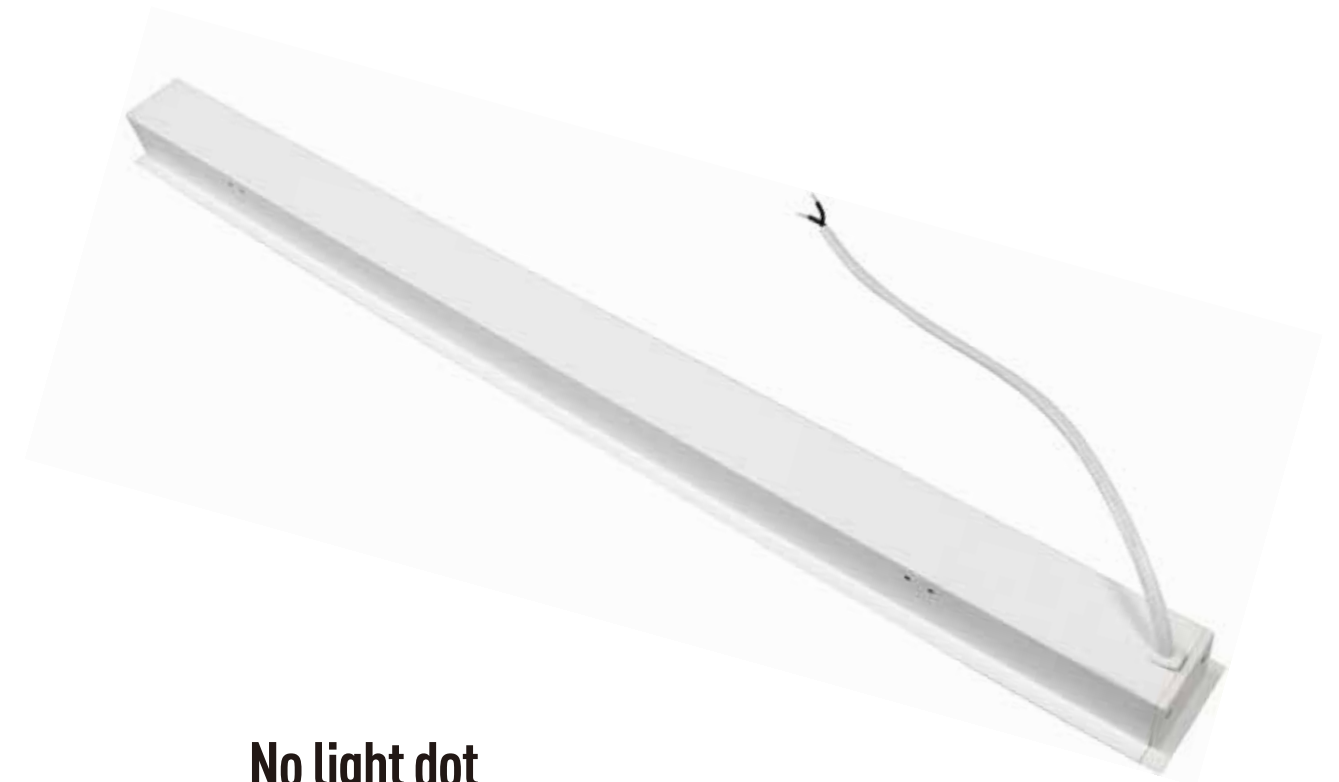
LED linear light is exclusively designed for designer and architect with imagination and personal style. LED linear light adopts premium aluminum profile, different dimension and size, easy to install.



## Application

Widely used in hotels, conference/meeting rooms, factories and offices, commercial purposes, residential / institution buildings, schools, colleges, universities and hospitals, places which needs energy saving and high color rendering index lighting.

- Color: CW(5000-6500K), NW(3700-4500K), WW(2700-3200K)
- Power factor>0.95
- Beam angle: 110 Degree
- Saving energy: 50%
- Life span more than 50,000Hrs
- IP code: IP40
- Standard warranty: 3years
- CE Certified.



## No light dot

Uniform lighting effect, no light dot.

## Slim body

With slim body made of extrusion aluminum-6063.

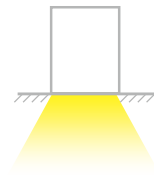
## High efficiency up to 85%

Built-in driver, PF>0.9, isolated, high efficiency up to 85%.

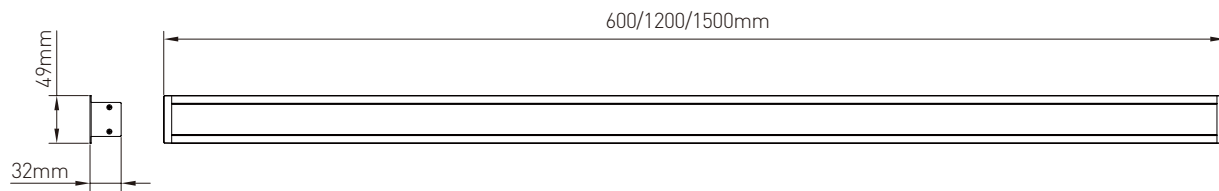
## Customized size

Standard size: 0.6m, 1.2m and 1.5, customized size also acceptable, Max 2.4m.

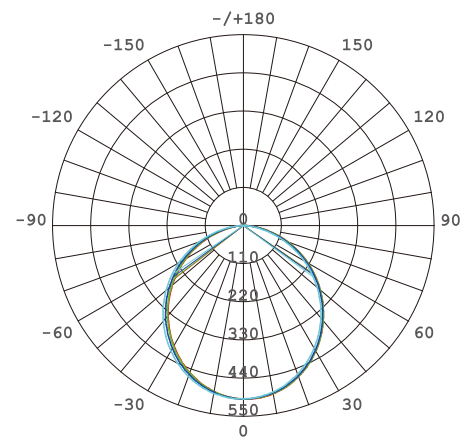
# Installation



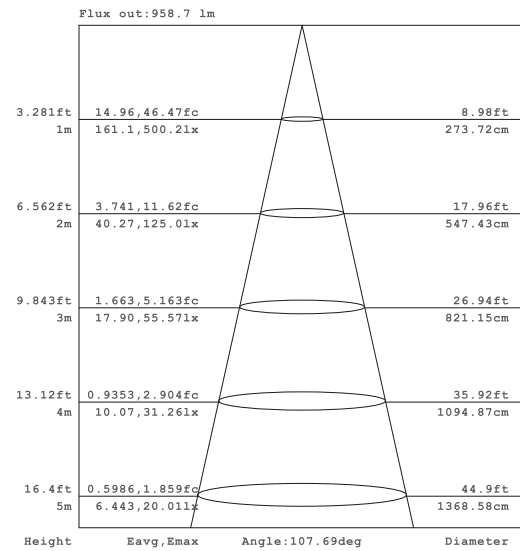
Embedded installation



# Light Source Test Report



UNTI : cd  
 - C0/180,107.7deg  
 - C30/210,108.0deg  
 - C60/240,108.8deg  
 - C90/270,109.3deg  
 AVERAGE BEAM ANGLE (50%) : 108.4DEG



Note: The Curves indicate the illuminated area and the average illumination when the luminaire is at different distance.

# Parameters

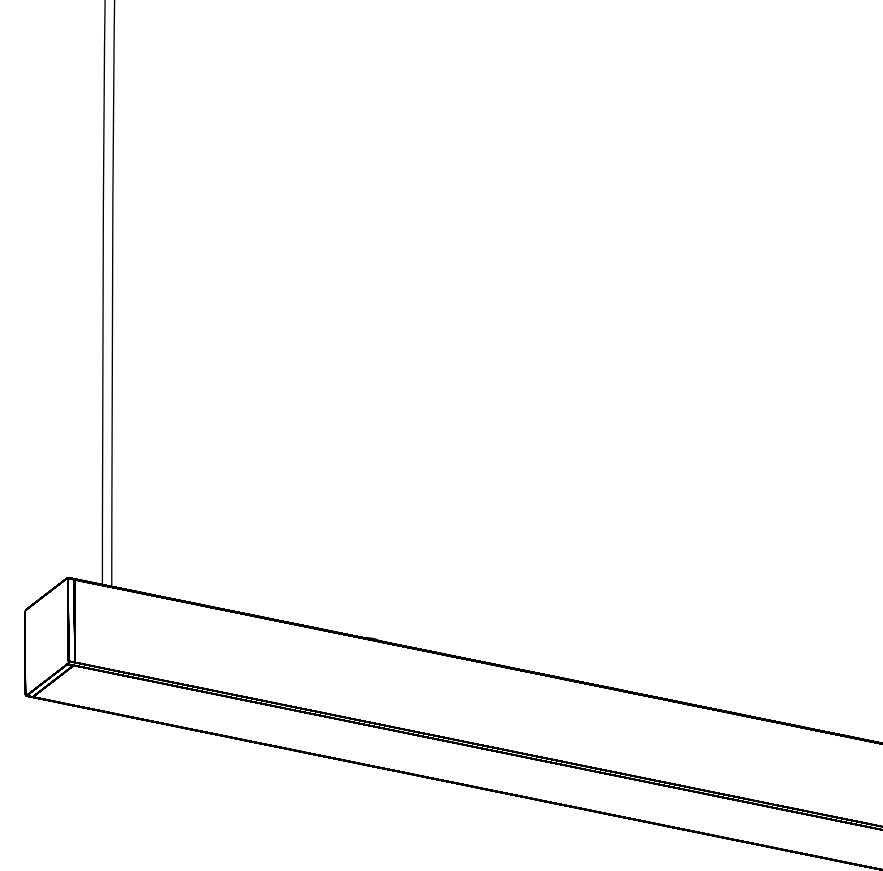


Product name	CCT	Lumen(lm)	Beam angle(°)	LEDs type	CRI	Power(W)	Length	Dimming	Voltage
RL4932	6000-6500K	1375	110°	SMD2835	Ra>80	18W	0.6M	Non-dimming	AC100-240V 50/60Hz
	3800-4200K	1412							
	2800-3200K	1197							
RL4932	6000-6500K	1746	110°	SMD2835	Ra>80	24W	1.2M	Non-dimming	AC100-240V 50/60Hz
	3800-4200K	1727							
	2800-3200K	1568							
RL4932	6000-6500K	2992	110°	SMD2835	Ra>80	36W	1.5M	Non-dimming	AC100-240V 50/60Hz
	3800-4200K	2793							
	2800-3200K	2439							

# Package

Product size	Inner size	Carton size	Pack Quantity	Net weight	Gross weight
0.6M(18W)	650*57*45mm	670*320*165mm	1 PC/inner box 15 inner boxes/carton	0.75 kg	12.06 kg
1.2M(24W)	1250*57*45mm	1270*320*120mm	1 PC/inner box 10 inner boxes/carton	1.4 kg	15.3 kg
1.5M(36W)	1550*57*45mm	1570*320*120mm	1 PC/inner box 10 inner boxes/carton	1.9 kg	20.7 kg





# HL4040

LED linear light is exclusively designed for designer and architect with imagination and personal style. LED linear light adopts premium aluminum profile, different dimension and size, easy to install. 3 types installation method: ceiling mounted type, suspended type and embedded type, and different customized dimensions are also acceptable, which can meet installation requirement of different fields and occasions.



## Customized size

Standard size:0.6m,1.2m and 1.5, customized size also acceptable, Max 2.4m.

## No light dot

Uniform lighting effect, no light dot.

Saving envrgy

**50%**

## Saving energy: 50%

More than 50% energy saving than traditional lamps, no pollution to the environment.

uniformity

**>85%**

## High efficiency up to 85%

Built-in driver, PF>0.9, isolated, high efficiency up to 85%.

Life span

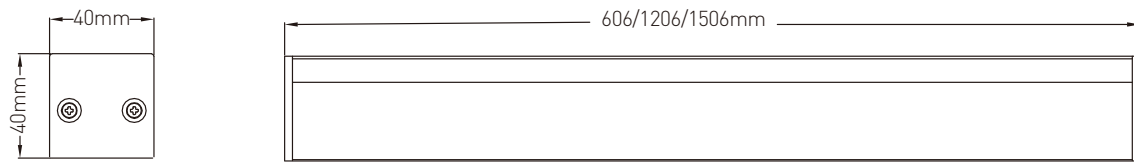
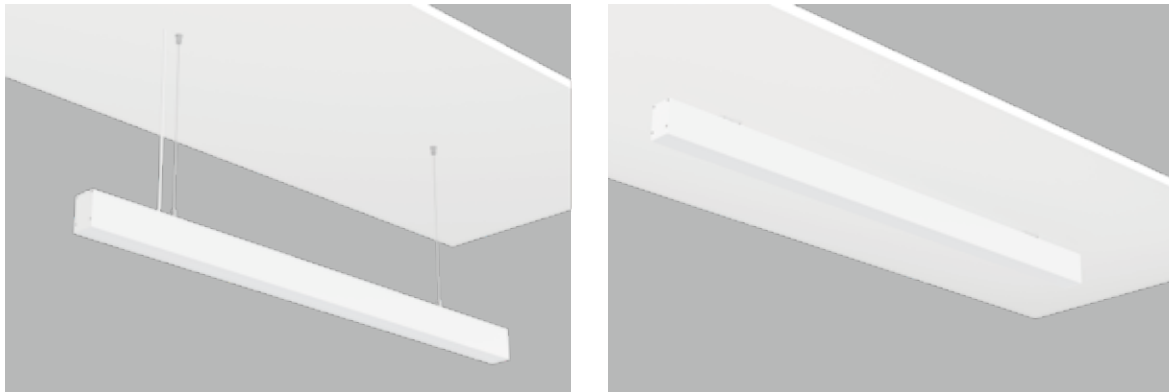
**50000<sup>H</sup>**

## 50,000 hours long life

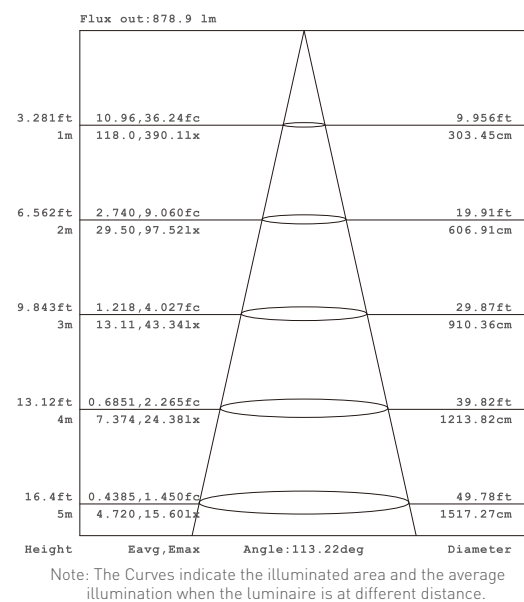
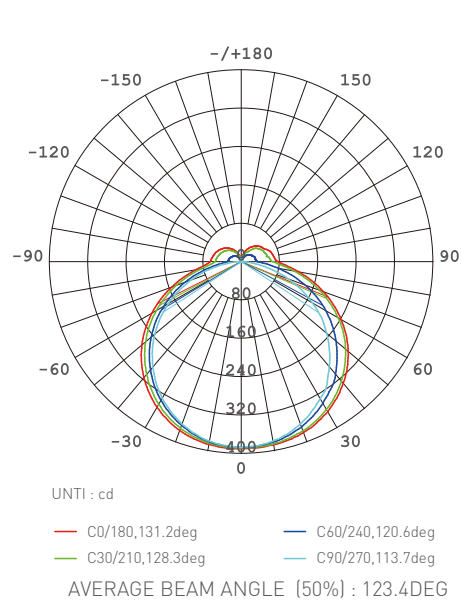
LM80 and TM21 test report for LEDs at 50,000 hours.

# Installation

Two installation methods, suspension installation, ceiling installation.



# Light Source Test Report



# Parameters



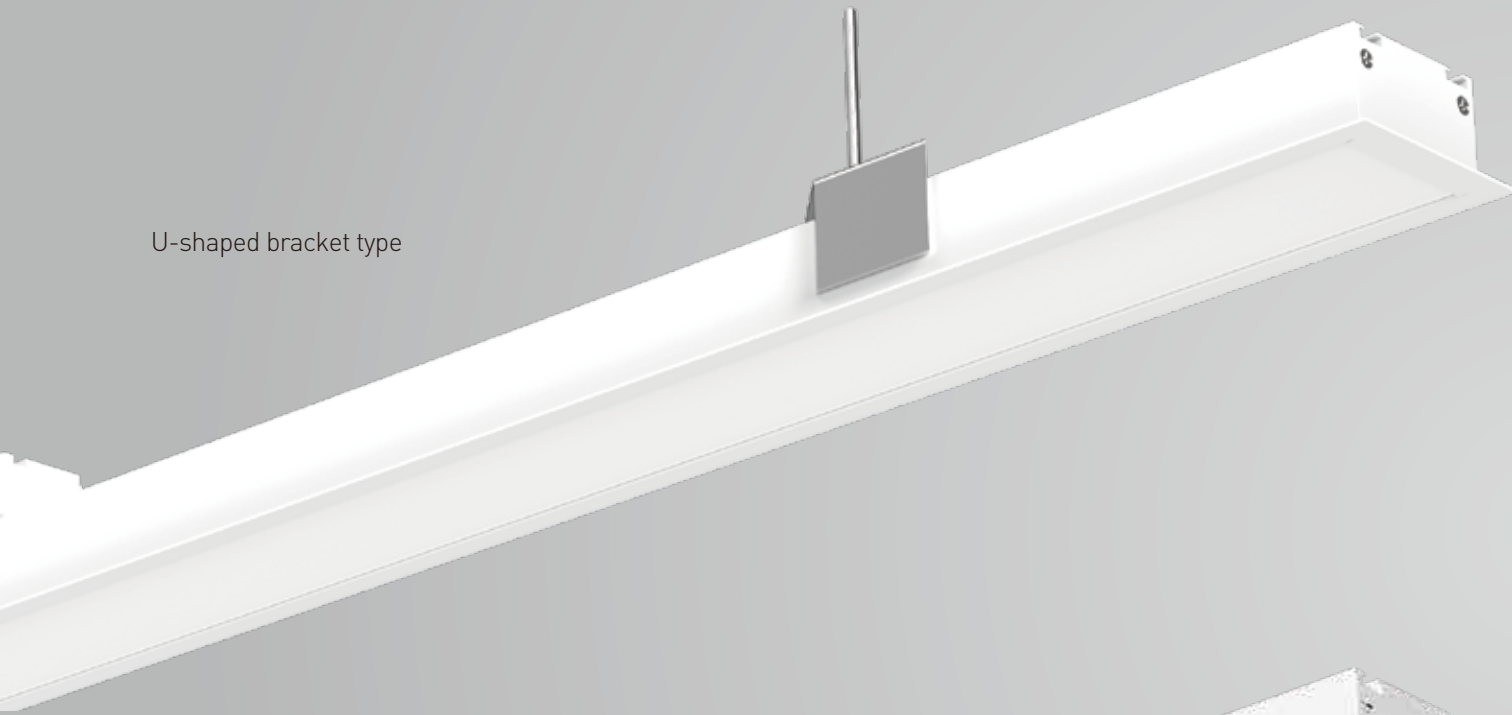
Product name	CCT	Lumen(lm)	Beam angle(°)	LEDs type	CRI	Power(W)	Length	Dimming	Voltage
HL4040	6000-6500K	1759	110°	SMD2835	Ra>80	18W	0.6M	Non-dimming	AC100-240V 50/60Hz
	3800-4200K	1476							
	2800-3200K	1383							
HL4040	6000-6500K	2319	110°	SMD2835	Ra>80	24W	1.2M	Non-dimming	AC100-240V 50/60Hz
	3800-4200K	2241							
	2800-3200K	1952							
HL4040	6000-6500K	3231	110°	SMD2835	Ra>80	36W	1.5M	Non-dimming	AC100-240V 50/60Hz
	3800-4200K	3196							
	2800-3200K	2826							

# Package

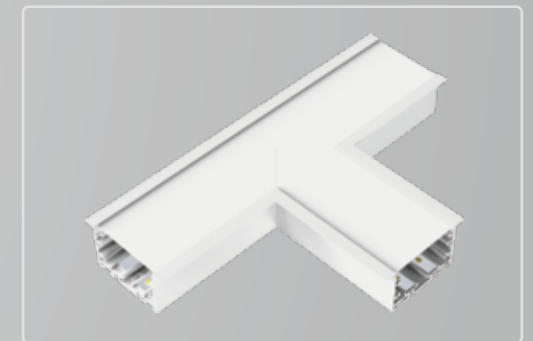
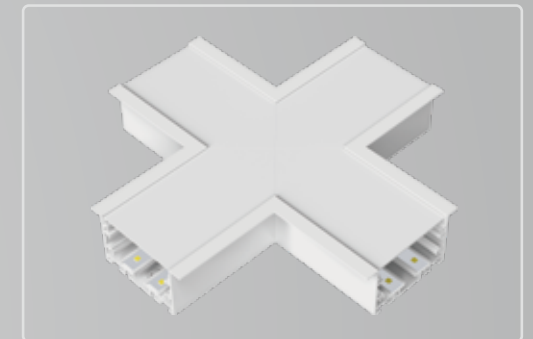
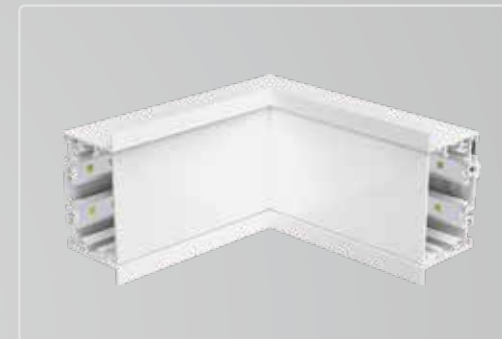
Product size	Inner size	Carton size	Pack Quantity	Net weight	Gross weight
0.6M(18W)	650*65*52mm	670*360*182mm	1 PC/inner box 15 inner boxes/carton	0.9 kg	14.5 kg
1.2M(24W)	1250*65*52mm	1270*360*125mm	1 PC/inner box 10 inner boxes/carton	1.7 kg	19 kg
1.5M(36W)	1550*65*52mm	1570*360*125mm	1 PC/inner box 10 inner boxes/carton	2.3 kg	24.8 kg

# RL7035

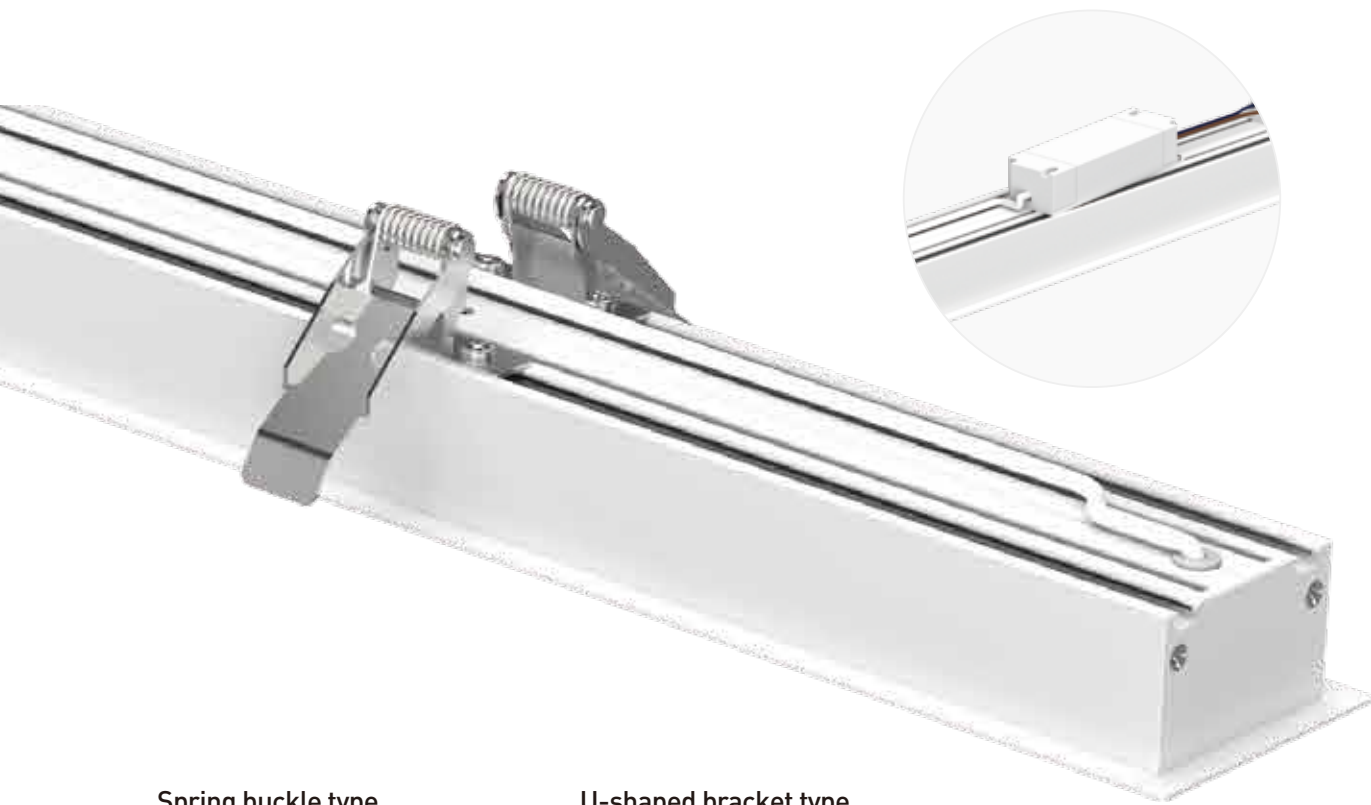
U-shaped bracket type



Spring buckle type

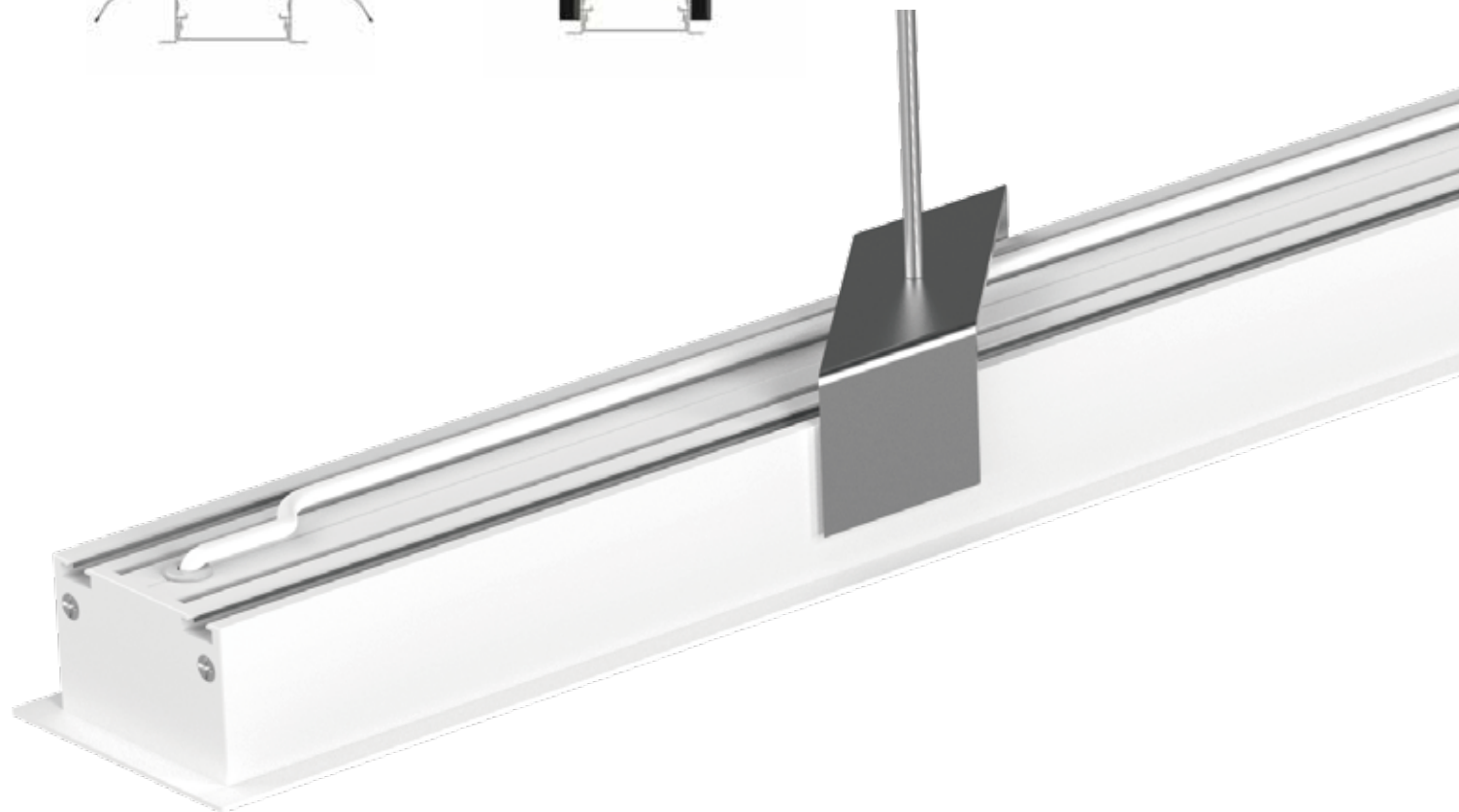


RL7035 linear light is mainly designed for recessed installation or continuous lighting, the light body has simple appearance with soft light continuous connection and it is widely used in shopping malls, office and so on.



Spring buckle type

U-shaped bracket type



## Mounting accessories

Adoption of U-shaped support and spring buckle type installation for optional.

## Aluminum alloy+PC materials

The whole lamp is aluminum alloy+PC materials with surface oxidation silver process.

## Good heat dissipation

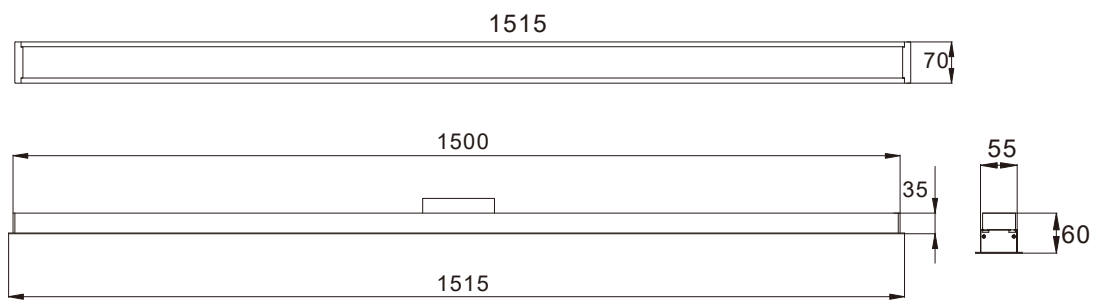
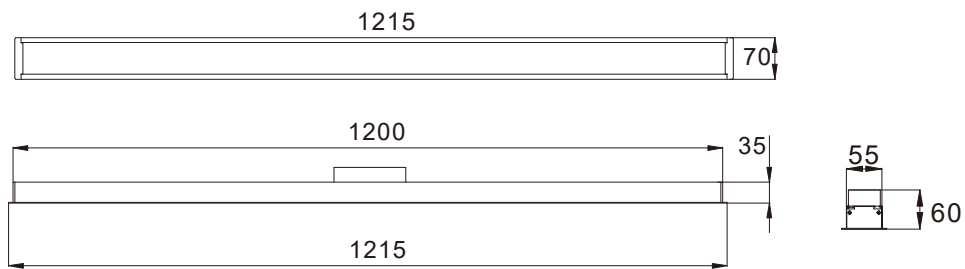
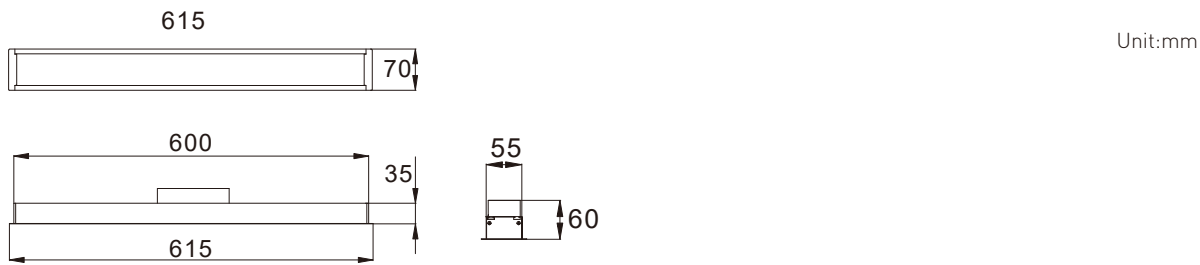
Allowing reliable and solid structure. Good heat dissipation and optical performance.



# Parameters



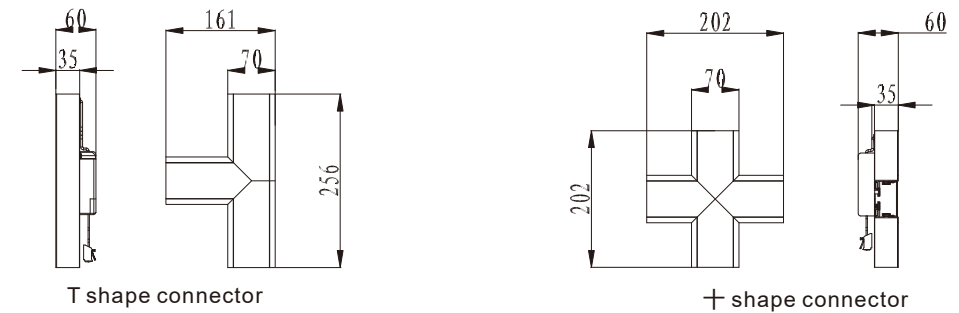
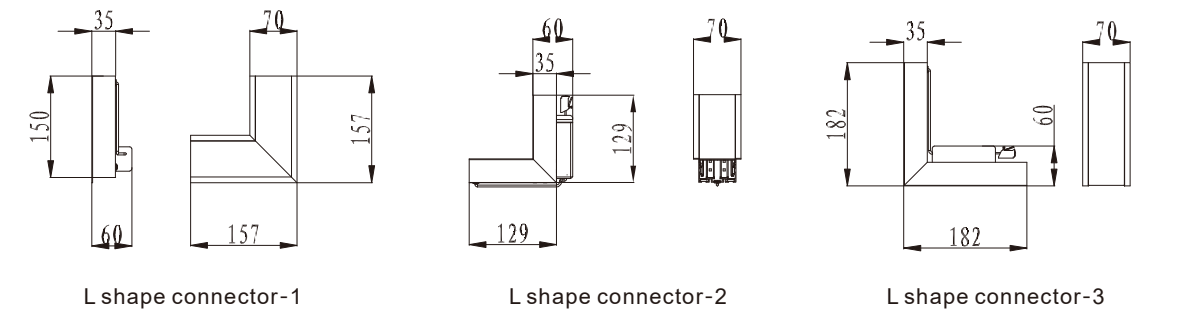
Product name	CCT	Lumen(lm)	Beam angle(°)	LEDs type	CRI	Power(W)	Length	Dimming	Voltage
RL7035	6000-6500K	1500	110°	SMD2835	Ra>80	20W	0.6M	Non/0-10V DALI	AC200-240V 50/60Hz
	3800-4200K	1500							
	2800-3200K	1300							
RL7035	6000-6500K	3000	110°	SMD2835	Ra>80	40W	1.2M	Non/0-10V DALI	AC200-240V 50/60Hz
	3800-4200K	3000							
	2800-3200K	2600							
RL7035	6000-6500K	3750	110°	SMD2835	Ra>80	50W	1.5M	Non/0-10V DALI	AC200-240V 50/60Hz
	3800-4200K	3750							
	2800-3200K	3250							

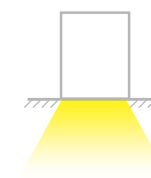
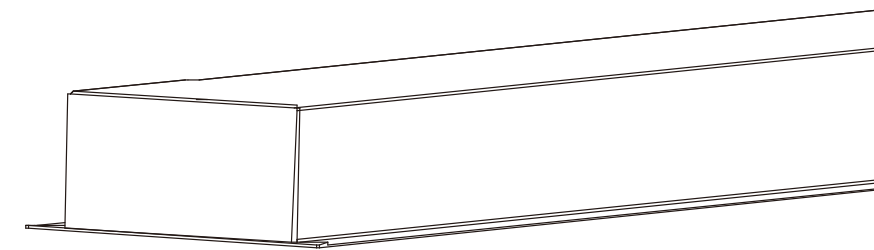
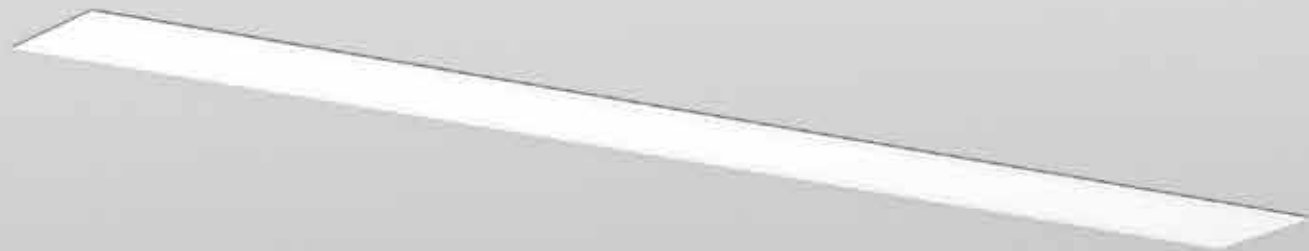


# Parameters



Product name	CCT	Lumen(lm)	Beam angle(°)	LEDs type	CRI	Power(W)	Dimming	Voltage
RL7035L1	6000-6500K	680	110°	SMD2835	Ra>80	8W	Non/0-10V DALI	AC200-240V 50/60Hz
	3800-4200K	680						
	2800-3200K	680						
RL7035L2	6000-6500K	680	110°	SMD2835	Ra>80	8W	Non/0-10V DALI	AC200-240V 50/60Hz
	3800-4200K	680						
	2800-3200K	680						
RL7035L3	6000-6500K	850	110°	SMD2835	Ra>80	10W	Non/0-10V DALI	AC200-240V 50/60Hz
	3800-4200K	850						
	2800-3200K	850						
RL7035T	6000-6500K	1020	110°	SMD2835	Ra>80	12W	Non/0-10V DALI	AC200-240V 50/60Hz
	3800-4200K	1020						
	2800-3200K	1020						
RL7035R	6000-6500K	1360	110°	SMD2835	Ra>80	16W	Non/0-10V DALI	AC200-240V 50/60Hz
	3800-4200K	1360						
	2800-3200K	1360						





# RL13054

RL13054 linear light is specially designed for recessed installation for offices, schools, shopping malls hotels and so on. It has the excellent heat dissipation system and very uniform lighting effect. People can install the lights very easily under the ceiling.

## Good heat dissipation

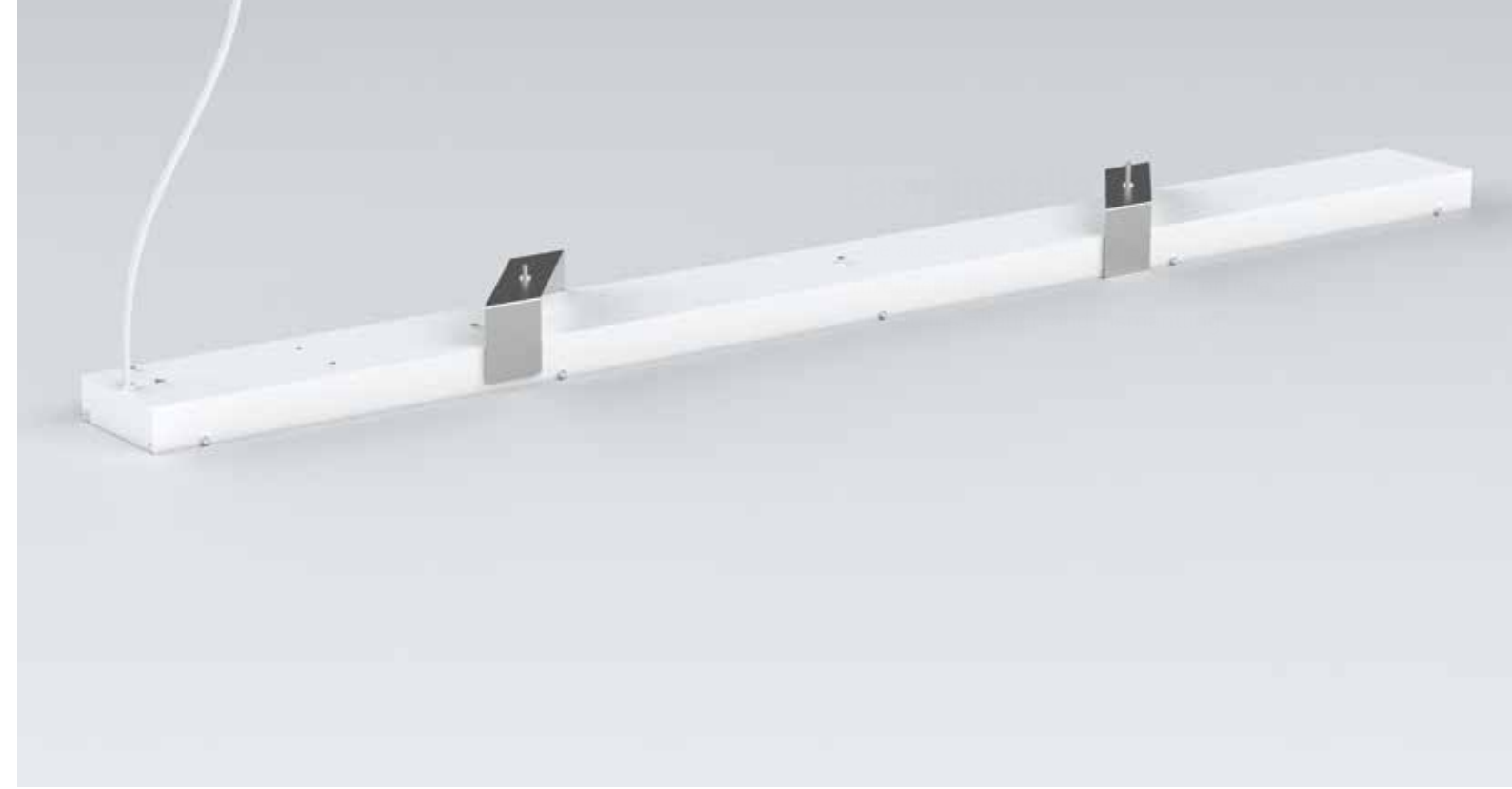
The whole light is cold-rolled plates and PC materials with surface painting, allowing reliable and solid structure and good heat dissipation and optical performance.

## Large light emitting area

Large light emitting area reaches 100MM, the high lumen output can meet the general lighting requirements.

## Simple installation

The adoption of U-shaped support and threaded rod embedded installation enables simple installation and dismantling



## Installation cost saving

Can install the lights very easily under the ceiling, no need to go into the ceiling, installation cost saving.

## Non-flickering driver

Flicker-free driver with high PF>0.95

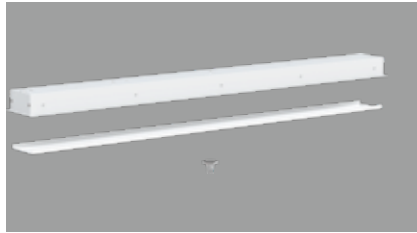
## 0-10V and DALI dimmable

Dimmable version for optional, 0-10V and DALI.

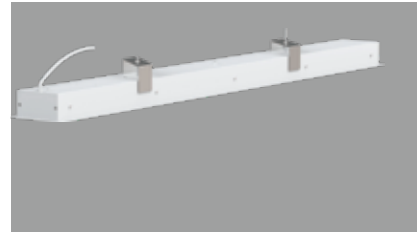


# Installation

Embedded installation



1. Dismantle PC lampshade of the light



2. Install the embedded installation bracket



3. Connecting AC wires



4. Install the light body into the safety holes

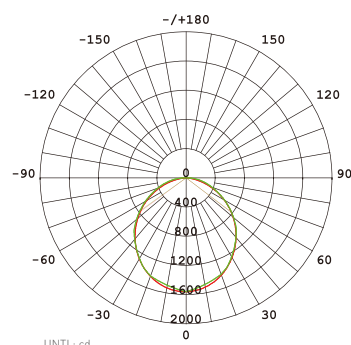


5. Lock the installation bracket tightly



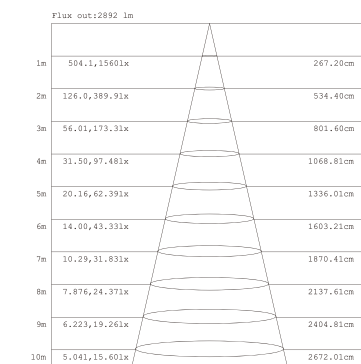
6. Install PC lampshade, installation finished.

# Light Source Test Report



UNTI : cd  
— C0/180, 106.4deg — C90/270, 107.3deg

AVERAGE BEAM ANGLE (50%) : 106.8 DEG



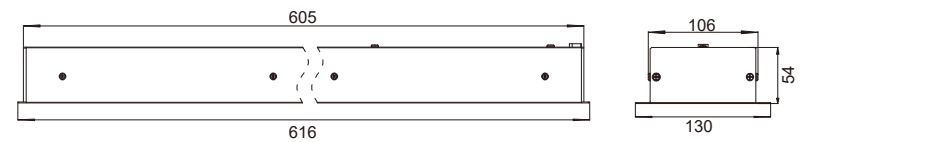
Flux out: 2892 lm  
Height: Avg. 8max Angle: 106.37deg Diameter

Note: The Curves indicate the illuminated area and the average illumination when the luminaire is at different distance.

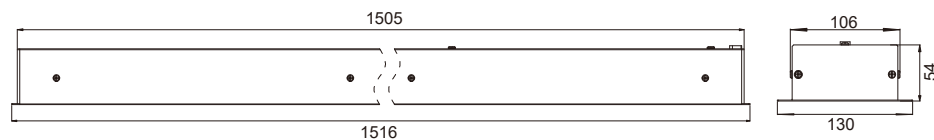
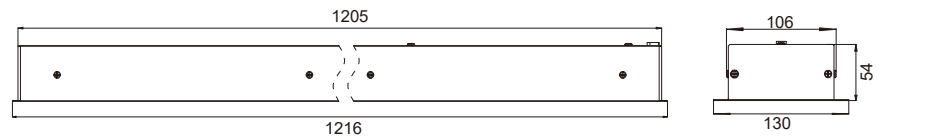
# Parameters



Product name	CCT	Lumen(lm)	Beam angle(°)	LEDs type	CRI	Power(W)	Length	Dimming	Voltage
RL13054	6000-6500K	2000	110°	SMD2835	Ra>80	20W	0.6M	Non/0-10V DALI	AC200-240V 50/60Hz
	3800-4200K	2000							
	2800-3200K	1800							
RL13054	6000-6500K	4000	110°	SMD2835	Ra>80	40W	1.2M	Non/0-10V DALI	AC200-240V 50/60Hz
	3800-4200K	4000							
	2800-3200K	3600							
RL13054	6000-6500K	5000	110°	SMD2835	Ra>80	50W	1.5M	Non/0-10V DALI	AC200-240V 50/60Hz
	3800-4200K	5000							
	2800-3200K	4500							



Unit:mm

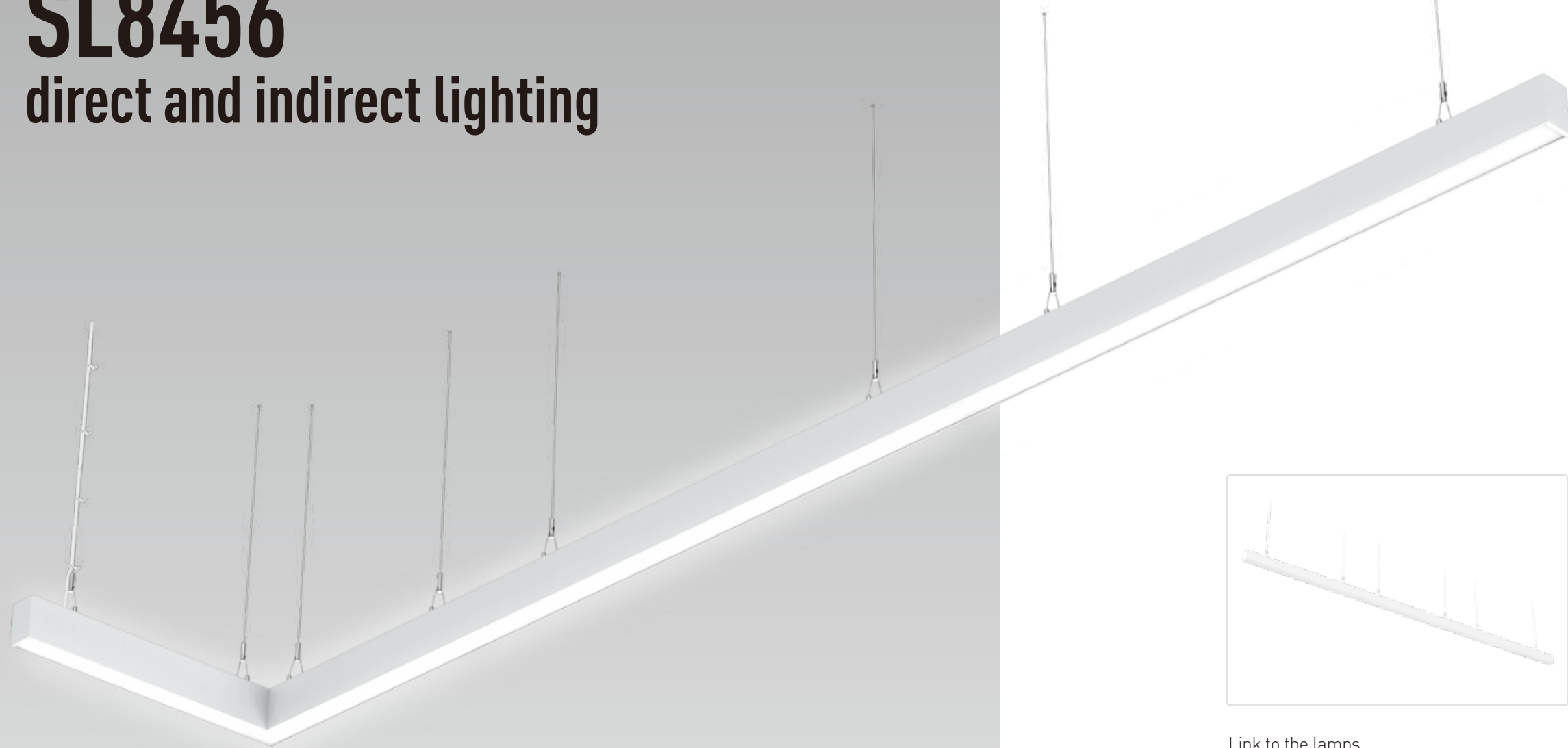


# Package

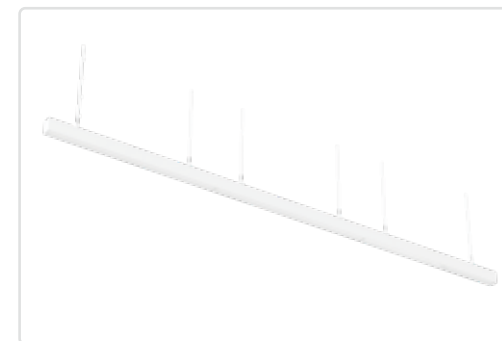
Product size	Inner size	Carton size	Pack Quantity	Net weight	Gross weight
0.6M(20W)	653*158*85mm	673*178*450mm	1 PC/inner box 5 inner boxes/carton	2 kg	11 kg
1.2M(24W)	1253*158*85mm	1273*178*450mm	1 PC/inner box 5 inner boxes/carton	3.8 kg	20.5 kg
1.5M(36W)	1553*158*85mm	1573*178*450mm	1 PC/inner box 5 inner boxes/carton	4.5 kg	24.5 kg

# SL8456

direct and indirect lighting



single lamp



Link to the lamps



L-shaped lamp

SL8456 linear light is combination of separated structures, convenient to dismantle and maintain because of its replaceable power supply and lighting emitting parts(PCB+LEDs), simple shape and random jointing can be realized.  
IP40 waterproof, so it is can be widely used in home, school, shopping mall, hotel and other indoor public places, and it is mainly made of aluminum alloy, PC.

## Good heat dissipation

The whole light is cold-rolled plates and PC materials with surface painting, allowing reliable and solid structure and good heat dissipation and optical performance.

## Simple installation

The adoption of L-shaped installation enables simple installation and dismantling



## Non-flickering driver

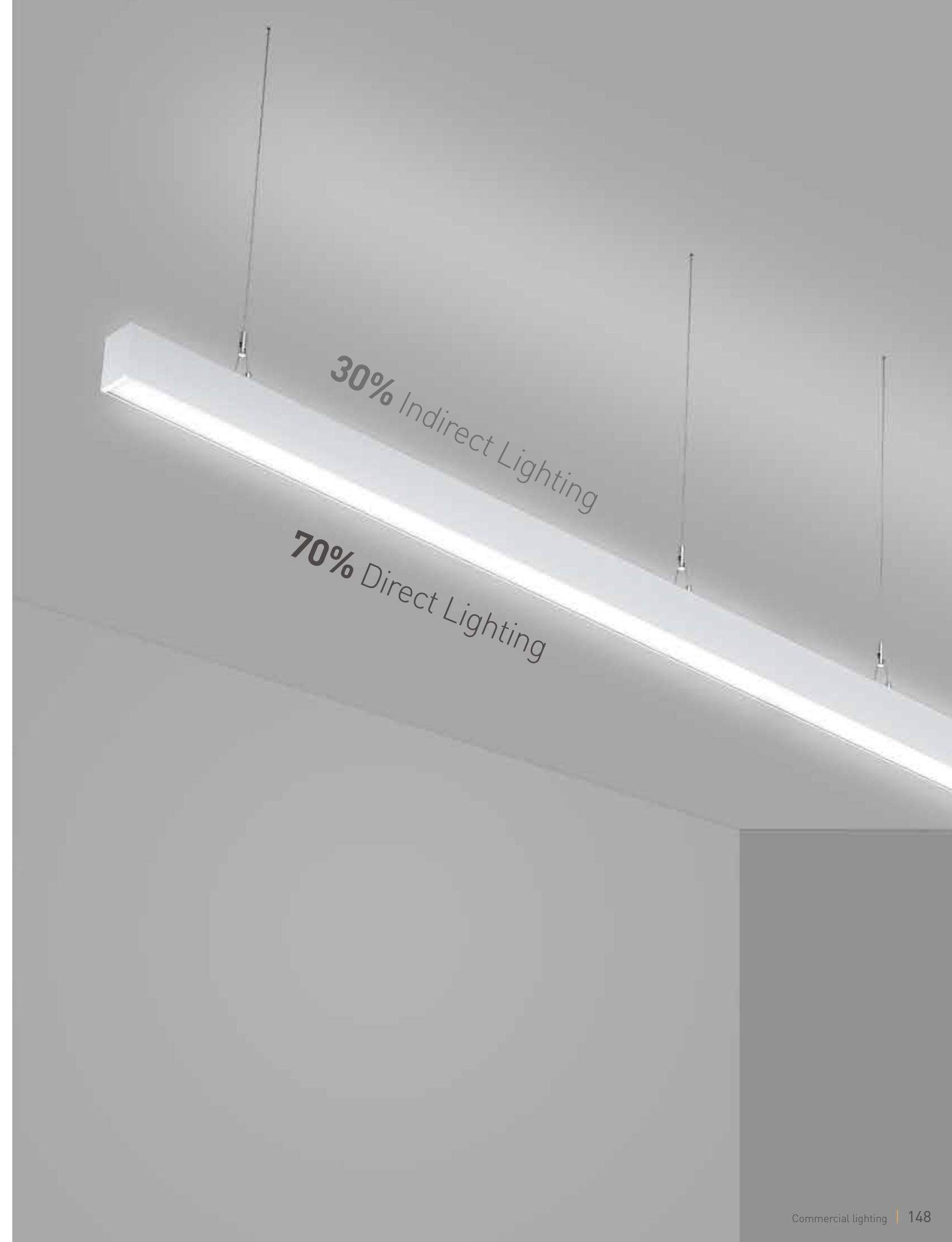
Flicker-free driver with high PF>0.9

## Emergency/No dimming/DALI dimming

Dimmable version for optional, DALI dimming, No dimming, Emergency.

## Installation cost saving

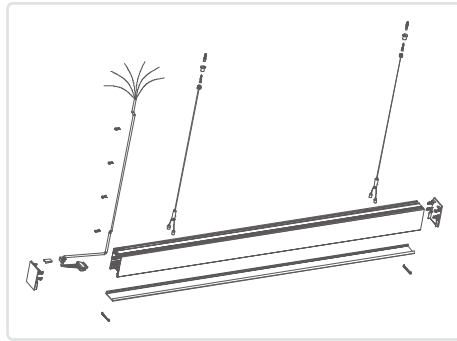
Can install the lights very easily under the ceiling, no need to go into the ceiling, installation cost saving.



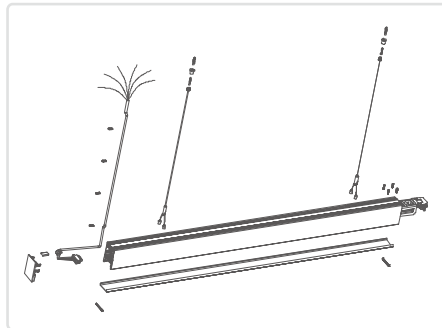
# Installation

Two installation methods,

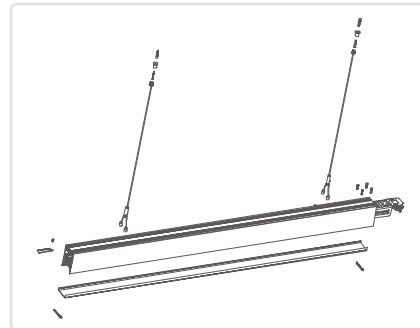
1. Single Lamp Installation of SL8456 Linear Light on Indirect and Direct Lighting.



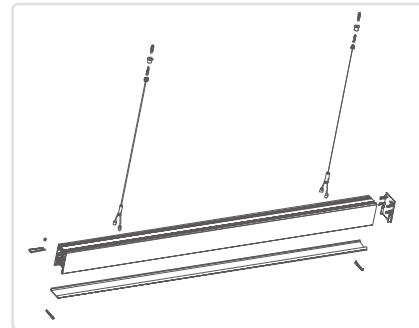
2. The Suspending Installation Instruction for Continuous run



The first section explosion diagram of Suspending



The middle section explosion diagram of Suspending



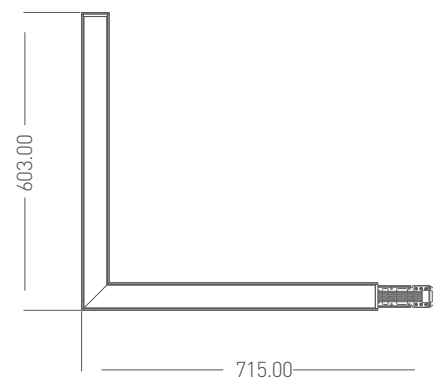
The end section explosion diagram of Suspending

The dimension drawing for SL8456 direct and indirect linear light.



1.2m lamp size: L 1203\*56\*84mm;  
1.5m lamp size: L 1505\*56\*84mm;  
2.4m lamp size: L 2399\*56\*84mm.

The dimension drawing for L-shaped lamp



# Parameters



Product name	CCT	Lumen(lm)	Beam angle(°)	LEDs type	CRI	Power(W)	Length	Dimming	Voltage
SL8456	●6000-6500K	4100	110°	SMD2835	Ra>80	40W	1.2M	Non/DALI /Emergency +Non /Emergency +DALI	AC200-240V 50/60Hz
	●3800-4200K	4200							
	●2800-3200K	4000							
SL8456	●6000-6500K	5100	110°	SMD2835	Ra>80	50W	1.5M	Non/DALI /Emergency +Non /Emergency +DALI	AC200-240V 50/60Hz
	●3800-4200K	5200							
	●2800-3200K	5000							
SL8456	●6000-6500K	8200	110°	SMD2835	Ra>80	80W	2.4M	Non/DALI /Emergency +Non /Emergency +DALI	AC200-240V 50/60Hz
	●3800-4200K	8400							
	●2800-3200K	8000							

# Package

Product size	Inner size	Carton size	Pack Quantity	Net weight	Gross weight
1.2M(40W)	1274*130*106mm	1288*274*230mm	1 PC/inner box 4 inner boxes/carton	3.0 kg	16.9 kg
1.5M(50W)	1552*130*110mm	1566*274*230mm	1 PC/inner box 4 inner boxes/carton	3.9 kg	20.2 kg
2.4M(80W)	2448*130*110mm	2462*144*238mm	1 PC/inner box 2 inner boxes/carton	6.5 kg	16.5 kg
L shape(40W)	735*105*683mm	750*225*701mm	1 PC/inner box 4 inner boxes/carton	3.0 kg	19.8 kg



# LED Downlight

LED Down light features integration design of radiator and outer design, which realize optimal cooling effect and lighting effect. Transparent cover or frosted cover for customer's option. CRI80, CRI90 and 100 LPW lighting effect. Patent design, unique radiator shape design ensure high cooling performance and work in low temperature.

	<b>ETL</b> DISC series		P153-158
<b>ETL</b>	5CCT tunable slim wafer light		P159-164
	<b>ETL</b> Commercial downlight		P165-170
	<b>ETL</b> HAT series		P171-176
	<b>ETL</b> 5CCT adjustable series		P177-188
	<b>ETL</b> Smart bluetooth series		P189-194
<b>CE</b>	LED flush mount slim downlight		P195-198
<b>ETL</b>	3CCT tunable slim downlight		P199-202
<b>CE</b>	Ultra-thin downlight series		P203-210
	<b>CE</b> Dolux series		P211-216
	<b>CE</b> Gimble series		P217-222
<b>CE</b>	Hotel downlight series		P223-238
<b>CE</b>	COB downlight series		P239-242
<b>CE</b>	IP64 waterproof series		P243-246
<b>CE</b>	Novel appearance series		P247-250
	<b>CE</b> UGR<10 series		P251-254
<b>CE</b>	Narrow frame series		P255-258
<b>CE</b>	IP65 waterproof series		P259-262
	<b>CE</b> LED grill light		P263-266
<b>CE</b>	LED track light		P267-270

# DISC Series

DISC downlight for 120V AC ,10W/15W. Available triac dimmable and non dimming.

DISC downlight can fit 4" & 6" junction box and replace of most 4" and 6" surface mount downlights;

DISC downlight can fit 5" & 6" downlight housings and replace of most 5" and 6" recessed downlights;

This product is ideal for use in many residential and commercial lighting applications with E26 base.



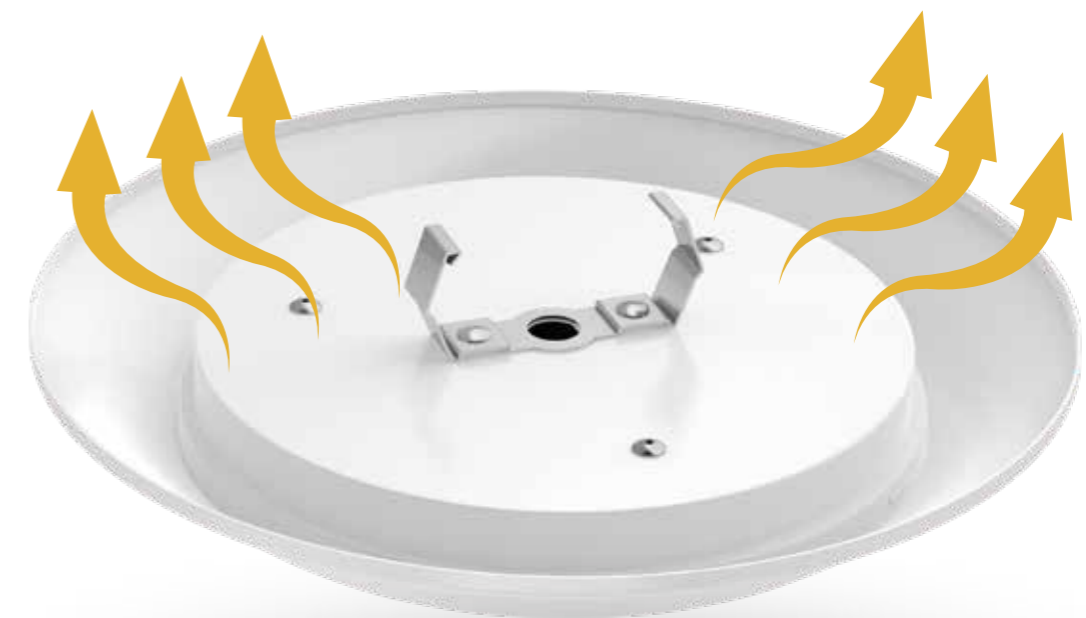
## Unique appearance and even luminous effect

Beautiful design and gorgeous, no flickering, even luminous effect.



## Good heat dissipation

Adopt spinning iron as heat sink.

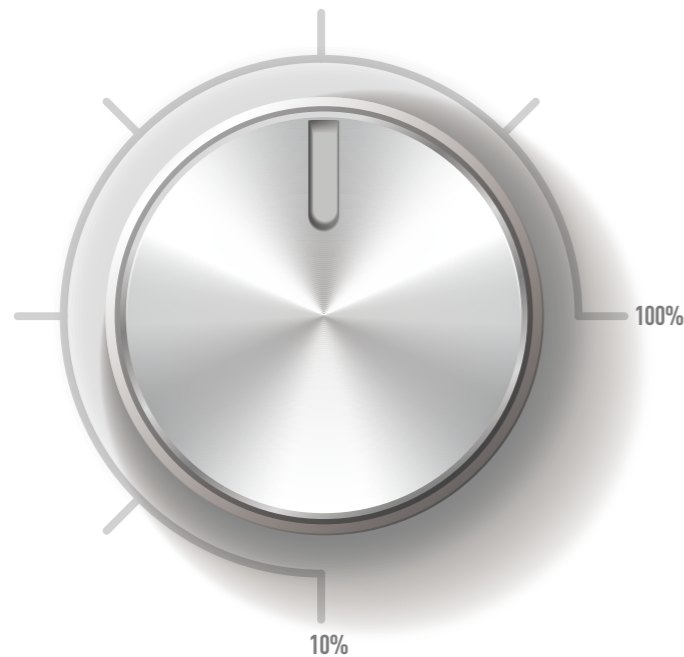


## Closet rated

Model No.		Item
All models		1.1, 1.2, 1.3, 1.4
Item	Marking	Text / Format
1.1	___ VOLTS ___ AMPS ___ WATTS ___ HERTZ or ___ V ___ A ___ W ___ HZ	S16-L3
1.2	SUITABLE FOR WET LOCATIONS	Verbatim S16-L2
	CONVIENT AUX EMPLACEMENTS MOUILLÉS	
1.3	COVERED CEILING MOUNT ONLY	Verbatim S16-L2
	INSTALLATION SUR PLAFOND COUVERT SEULEMENT	
1.4	Luminaire is suitable for installation within a clothes closet storage space.	S16-L5
	Le Luminaire peut être installé dans un placard à vêtements Un espace de stockage.	

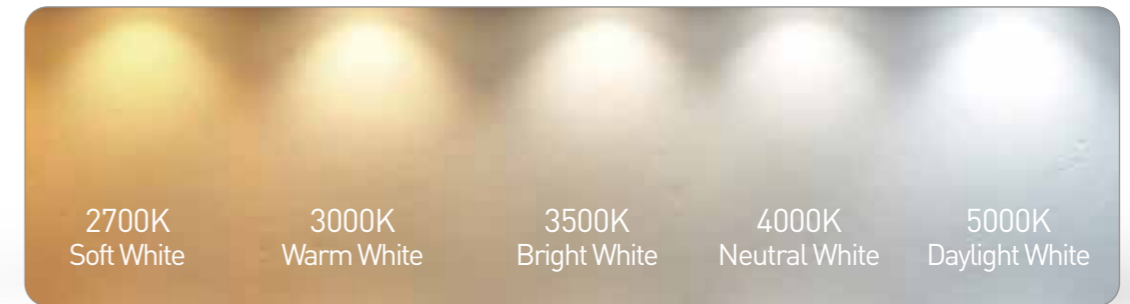
## Triac dimmable / Non dimming

This product is suitable for use in dimming circuit. For 10-100% light control, use with a compatible dimmer. Compatible dimmers include most standard dimmers.



## Color temperature optional

This product has three series, dim to warm(2200K, 2700K, 3000K), 5CCT(2700K, 3000K, 3500K, 4000K, 5000K), single color Series (2700K/3000K/4000K/5000K optional)



## Built-in dip switch

Embedded dip switch, simple appearance



# Parameters **ETL** for US



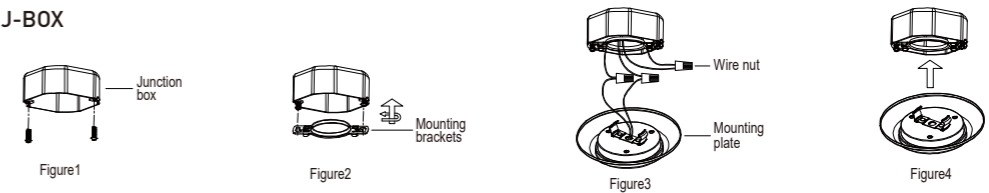
Product name	CCT	Lumen(lm)	LEDs type	LED Qty.	CRI	PF	Power(W)	Voltage
5CCT series 4inch	5000K	630	SMD2835	28pcs	Ra>90	>0.9	10W	AC120V 60Hz
	4000K	660						
	3500K	660						
	3000K	620						
	2700K	600						
5CCT series 6inch	5000K	950	SMD2835	28pcs	Ra>90	>0.9	15W	AC120V 60Hz
	4000K	1000						
	3500K	1000						
	3000K	910						
	2700K	900						
Dim to warm 4inch series	3000K	700	SMD2835	28pcs	Ra>90	>0.9	10W	AC120V 60Hz
	2700K	630						
	2200K	610						
Dim to warm 6inch series	3000K	1000	SMD2835	28pcs	Ra>90	>0.9	15W	AC120V 60Hz
	2700K	975						
	2200K	915						
single color 4inch series	5000K	700	SMD2835	28pcs	Ra>90	>0.9	10W	AC120V 60Hz
	4000K	700						
	3000K	630						
	2700K	610						
single color 6inch series	5000K	1000	SMD2835	28pcs	Ra>90	>0.9	15W	AC120V 60Hz
	4000K	1000						
	3000K	1000						
	2700K	890						

## Package

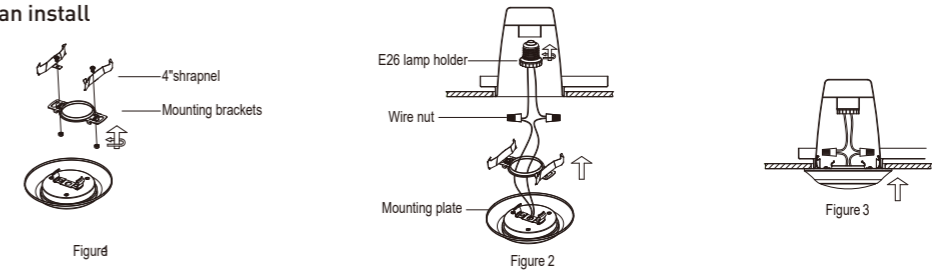
Product size	Inner size	Carton size	Pack Quantity	Net weight	Gross weight
4 inch	5.7*2.56*5.9 inch	18.9*17.91*12.6 inch	1 PC/inner box 42 inner boxes/carton	0.43 lb	26.02 lb
6 inch	7.48*2.56*7.68 inch	23.23*16.14*16.14 inch	1 PC/inner box 36 inner boxes/carton	0.65 lb	31.91 lb

## Installation

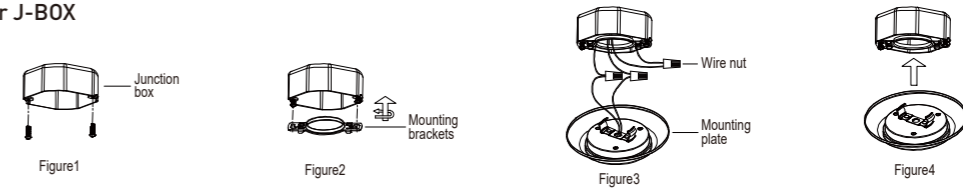
### 4inch for J-BOX



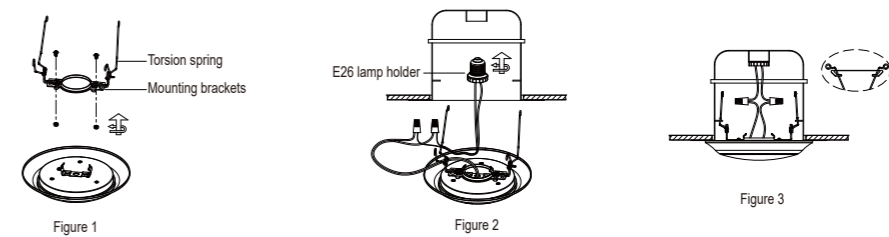
### 4inch for can install



### 6inch for J-BOX

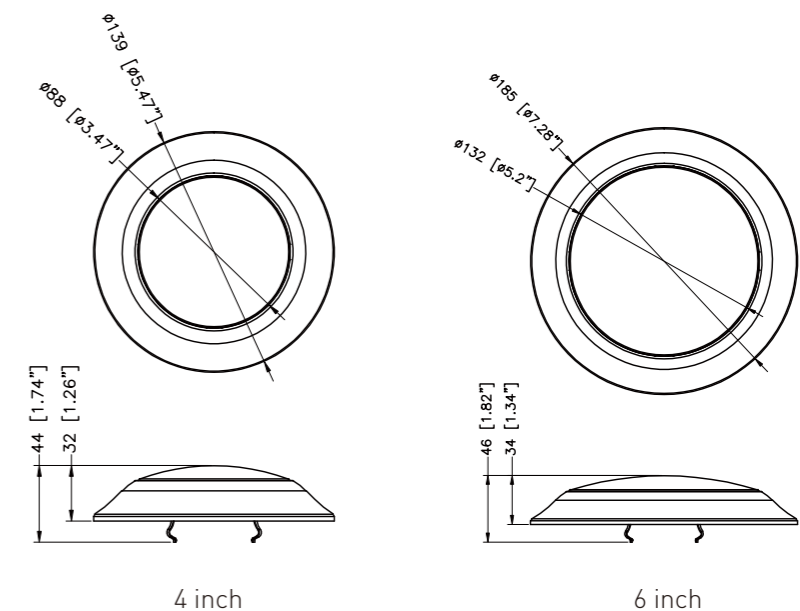


### 6inch for can install



## Dimensions

Unit: inch





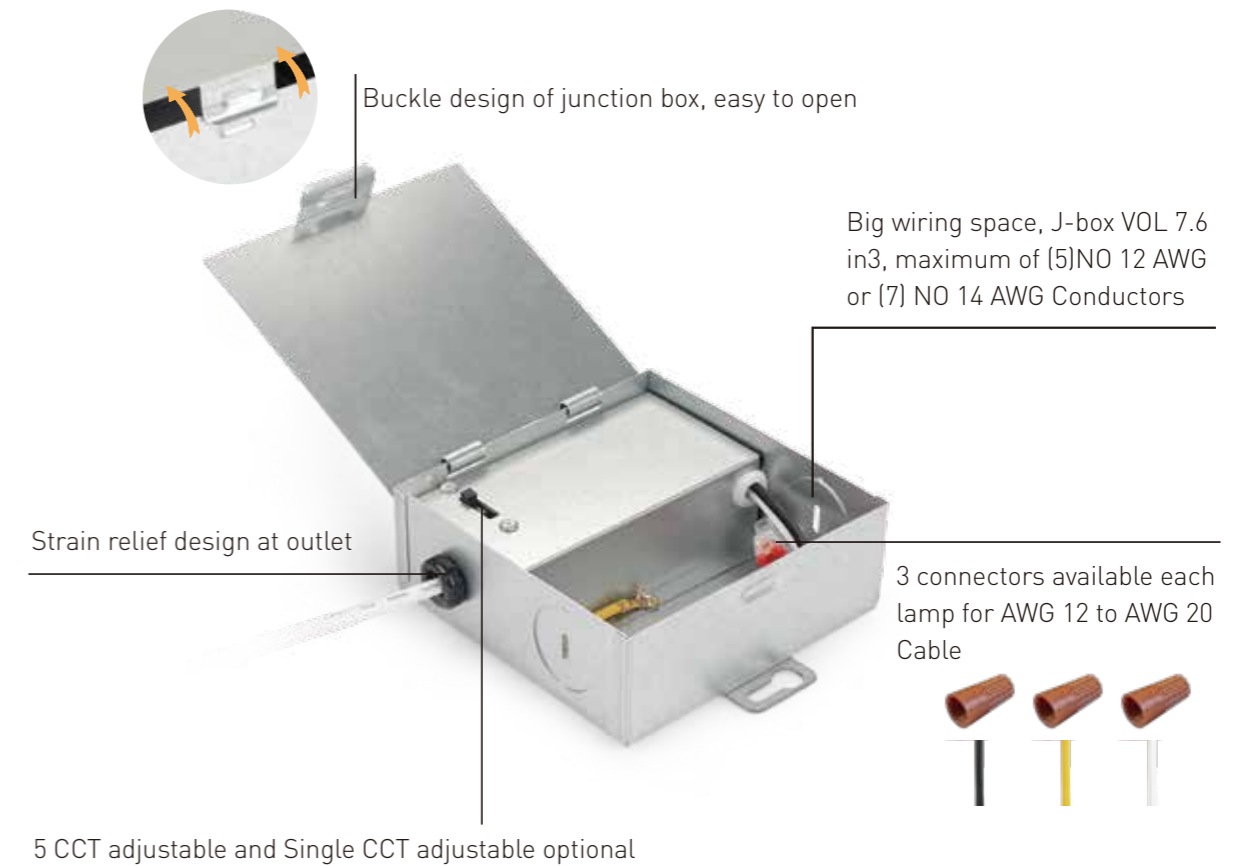


# 5CCT Tunable Slim wafer light

5 CCT adjustable: 2700K-3000K-3500K-4000K-5000K

Single CCT: 2700K, 3000K, 3500K, 4000K, 5000K

## Power supply



5 CCT adjustable:  
2700K-3000K-3500K-4000K-5000K



Single CCT adjustable:  
2700K, 3000K, 3500K, 4000K, 5000K

## IP44 waterproof

Waterproof ring for use in wet location.

## No yellowing, long life span

Acrylic light guide, laser dotting,  
no yellowing, long life span.

## High CRI >90

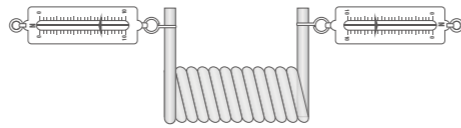
Adopt edge-lit tech, visual uniformity, CRI up to 90.



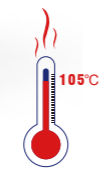
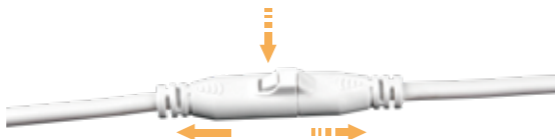


## High Strength Spring

Great spring elasticity, 6N-8N force.



## Connector with strain relief design



The Cable is High fire rating FT1, temperature resistance up to 105°C.

## Parameters

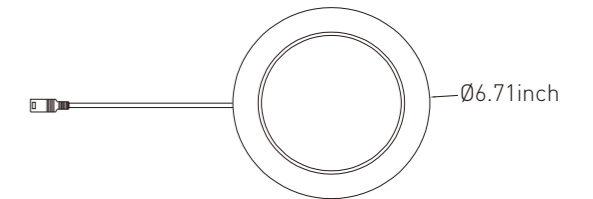
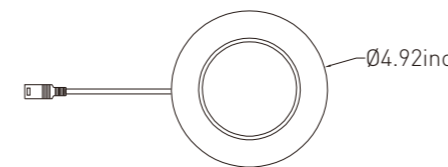
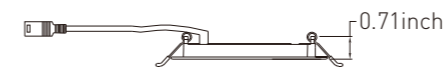


### Color tunable series

Product size	CCT	Lumen(lm)	Beam angle(°)	LEDs type	CRI	PF	Power(W)	Voltage
3inch	5000K	490	110°	SMD2835	Ra>90	>0.9	7W	AC90-130V 50/60Hz
4inch	4000K	580					9W	
6inch	3500K	900					12W	
6inch	3000K	1100					12W	
8inch	2700K	1700					18W	

### Single color series

Product size	CCT	Lumen(lm)	Beam angle(°)	LEDs type	CRI	PF	Power(W)	Voltage
4inch	5000K	580	110°	SMD2835	Ra>90	>0.9	9W	AC90-130V 50/60Hz
	4000K	580						
	3500K	540						
	3000K	540						
	2700K	540						
6inch	5000K	900	110°	SMD2835	Ra>90	>0.9	12W	AC90-130V 50/60Hz
	4000K	900						
	3500K	820						
	3000K	820						
	2700K	820						
6inch	5000K	1100	110°	SMD2835	Ra>90	>0.9	12W	AC90-130V 50/60Hz
	4000K	1100						
	3500K	950						
	3000K	950						
	2700K	950						

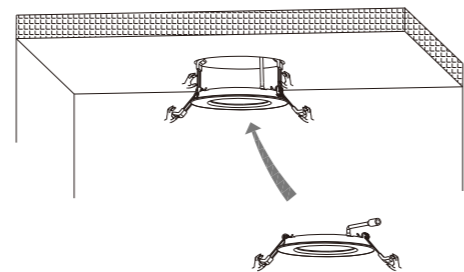
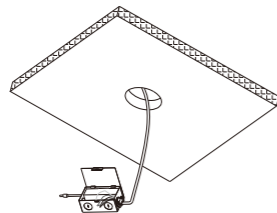
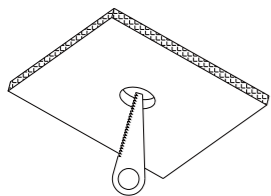


## Installation

1. Drill hole according model

2. Wire connection

3. Embed the light into the hole of ceiling



# Commercial Downlight

The ML commercial LED Downlight is designed for new or remodel applications. It offers remote J-box dimming compatibility using 0-10-volt controls and is quick and easy to install into existing recessed frames without removing the housing, and the recessed fixture mounts directly into the ceiling.



## High efficient design

Adopt metal reflection cup with high reflectivity and transparent toughened glass with high photosynthesis, high luminous efficiency and uniform light.

## Better heat sink

The lamp body adopts aluminum alloy stamping forming process, which has good heat dissipation and longer service life.



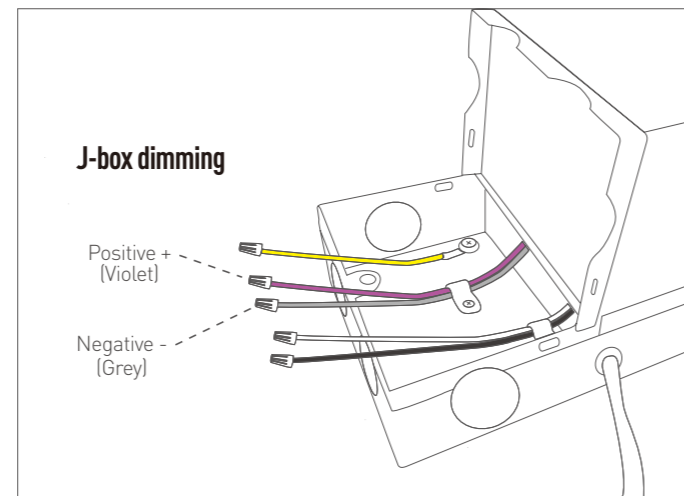
## Energy-saving

ML retrofits is a highly efficient option for upgrading existing incandescent, fluorescent and Metal Halide downlight fixtures to energy saving LED.



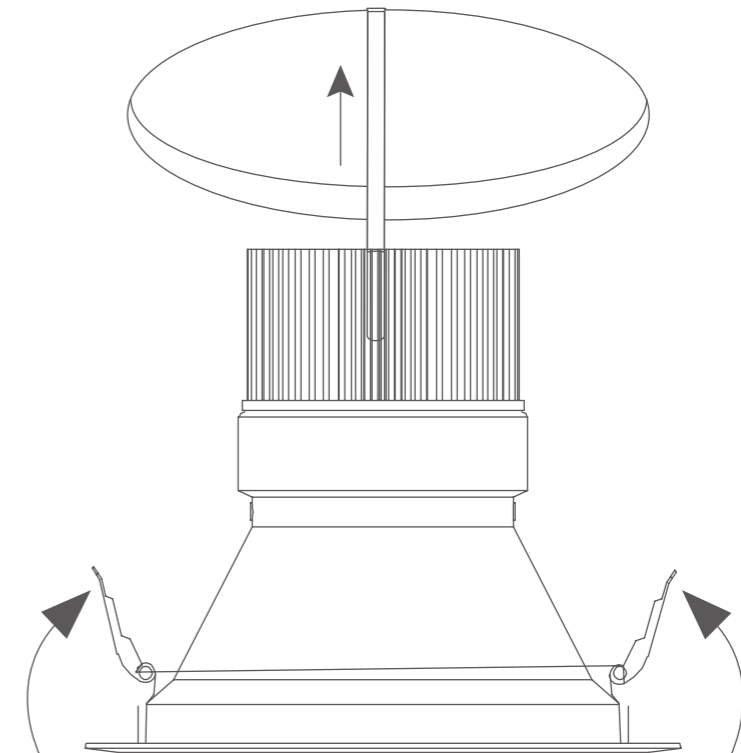
## 0-10V Dimming

It offers remote J-box dimming compatibility using 0-10-volt controls.



## Easy to install

Quick and easy to install into existing recessed frames without removing the housing, and the recessed fixture mounts directly into the ceiling.



6 inch



8 inch

# Parameters

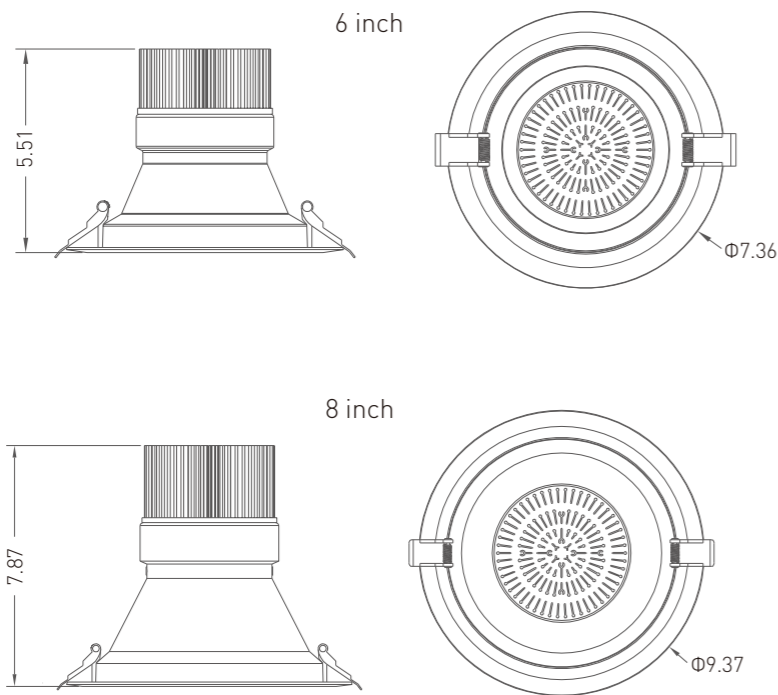


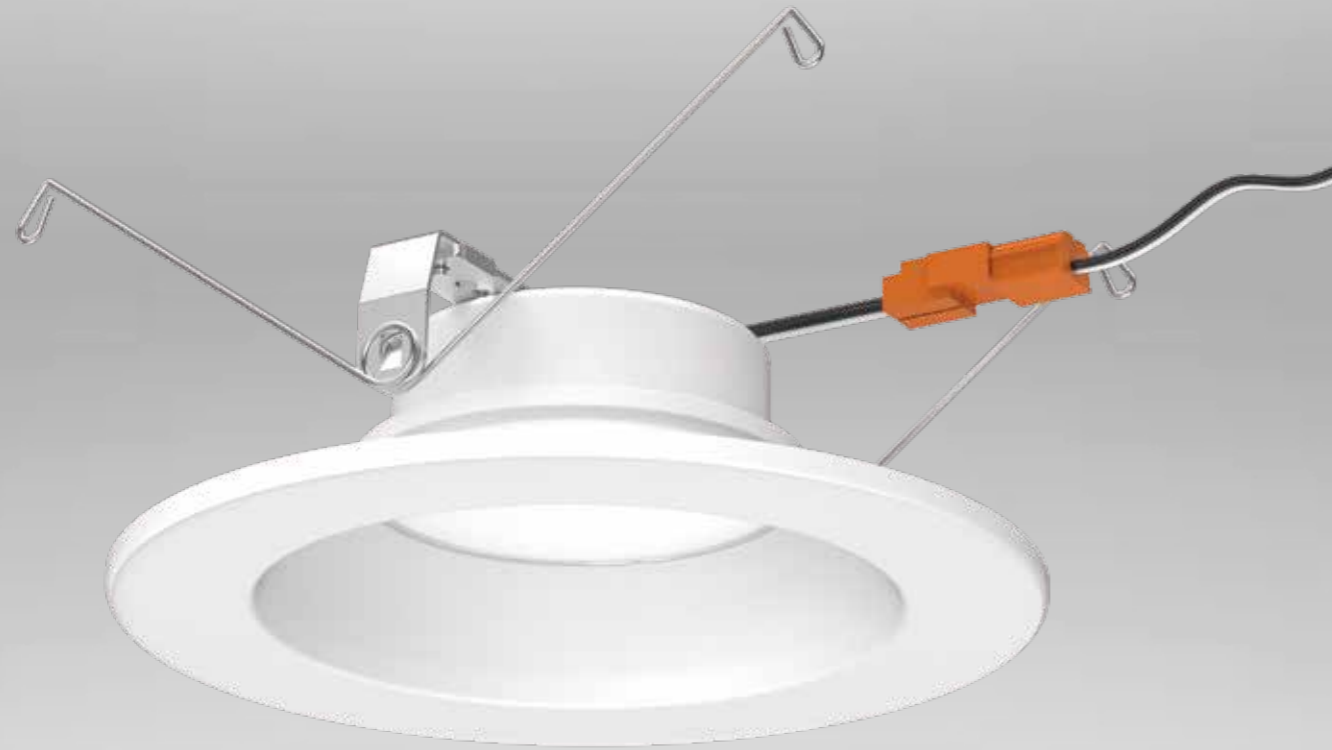
Product name	CCT	Lumen(lm)	Cutout size	LEDs type	CRI	PF	Power(W)	Voltage
ML 6inch	5000K	2200	Φ 7.09 inch	SMD2835	Ra>90	>0.9	25W	AC100-277V 50/60Hz
	4000K	2200						
	3000K	2100						
ML 8inch	5000K	3300	Φ 9.06 inch	SMD2835	Ra>90	>0.9	38W	AC100-277V 50/60Hz
	4000K	3400						
	3000K	3200						

# Package

Product size	Inner size	Carton size	Pack Quantity	Net weight	Gross weight
6 inch	8.86*8.86*6.3 inch	20.87*18.3*19.89 inch	1 PC/inner box 12 inner boxes/carton	2.23 lb	37.03 lb
8 inch	10.35*18.3*19.88 inch	21.26*21.26*18.3 inch	1 PC/inner box 8 inner boxes/carton	2.84 lb	34.39 lb

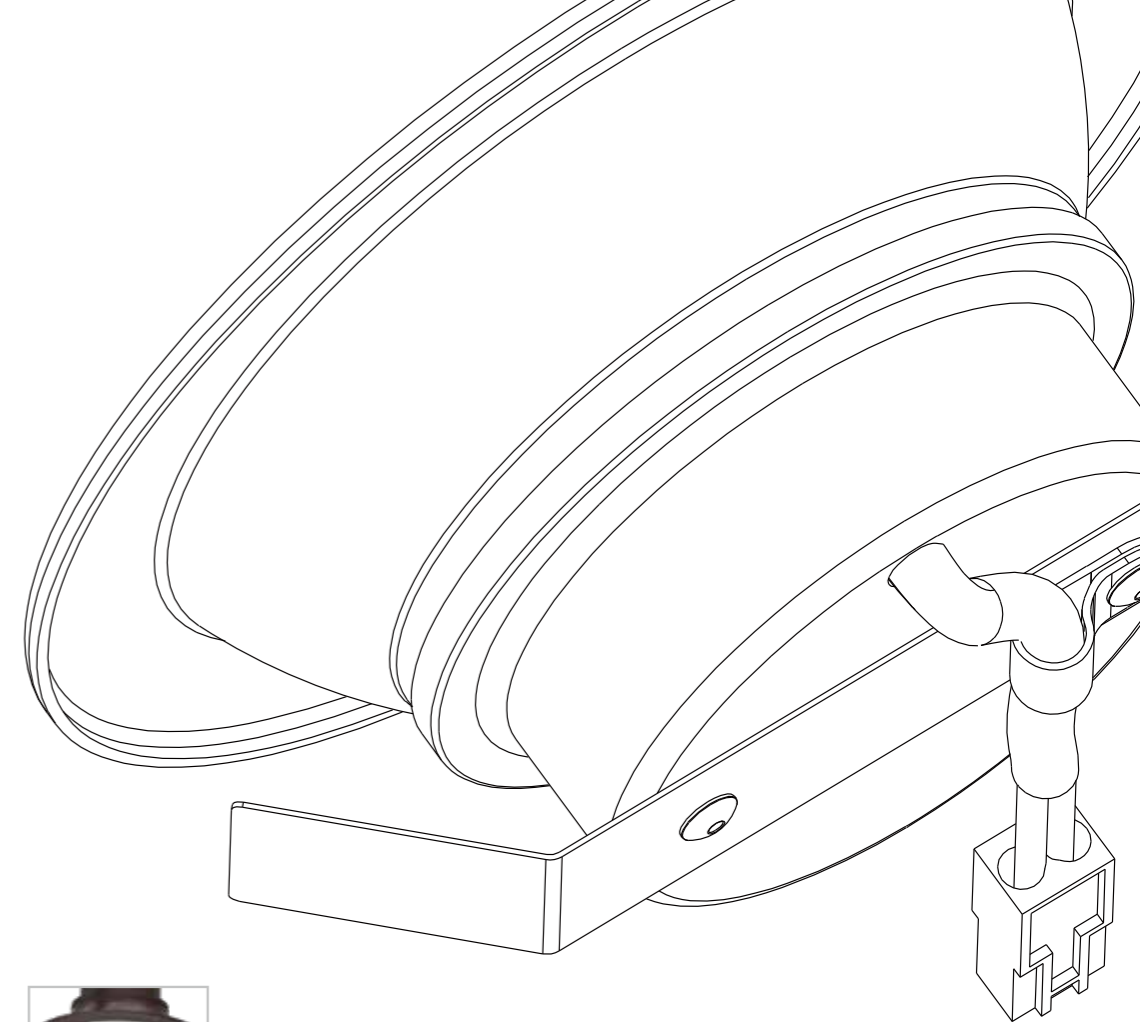
Unit: inch



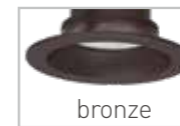


# HAT Series

HAT 4" and 5"-6" recessed mount downlight for 120V AC, available triac dimmable and no dimming, HAT 5"-6" downlight can fit 5"-6" downlight housings, and replace most 5"-6" recessed downlights. HAT 4" downlight can fit 4" downlight housings only, and replace most 4 inch recessed downlights. This product is ideal for use in many residential and light commercial applications with E26 base.



white



bronze



4 inch(smooth)



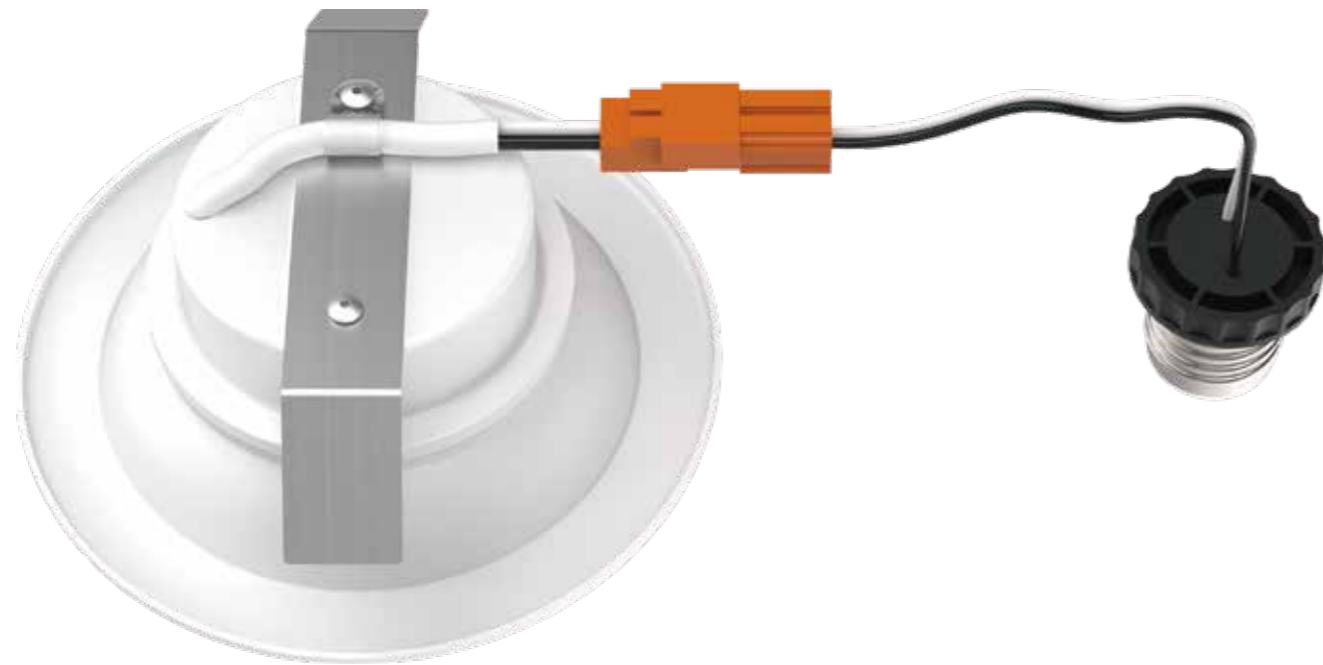
5-6 inch(smooth)



4 inch(baffle)



5-6 inch(baffle)



## Beautiful design

Unique appearance, beautiful design and gorgeous.

## Dimming option

Triac dimmable / non dimming option, for 5-100% light control, use with a compatible dimmer.

## Appearance color optional

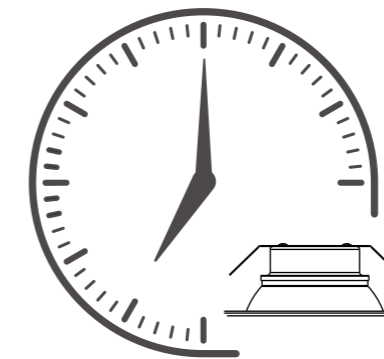
Appearance colors are available in white and bronze.

## Better heat sink

Adopt spinning aluminum as heat sink.

## Energy-saving

High efficiency and energy-saving LED driver.



## Long Lifetime

Lifetime reach 50,000 hours.

**50000**

hours



LM80







## Parameters

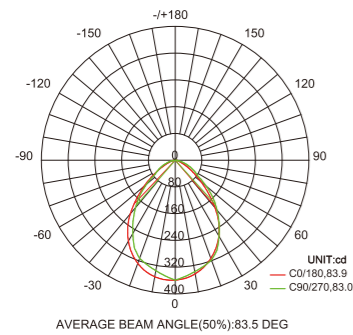


Product name	CCT	Lumen(lm)	Cutout size	LEDs type	CRI	PF	Power(W)	Voltage
HTL 4inch	5000K	700	Φ 3.77 inch	SMD2835	Ra>90	>0.9	10W	AC120V/60Hz
	4000K	700						
	3000K	610						
	2700K	600						
HTL 6inch	5000K	1100	Φ 5.03 inch	SMD2835	Ra>90	>0.9	15W	AC120V/60Hz
	4000K	1050						
	3000K	1020						
	2700K	1000						

## Package

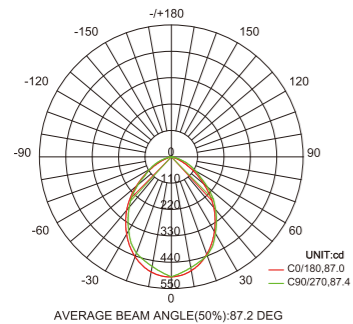
Product size	Inner size	Carton size	Pack Quantity	Net weight	Gross weight
4 inch	5.24*2.21*5.24 inch	11.81*10.83*11.22 inch	1 PC/inner box 20 inner boxes/carton	0.29 lb	11.02 lb
6 inch	7.60*2.44*7.60 inch	15.75*13.00*15.94 inch	1 PC/inner box 20 inner boxes/carton	4.19 lb	14.33 lb

4 inch

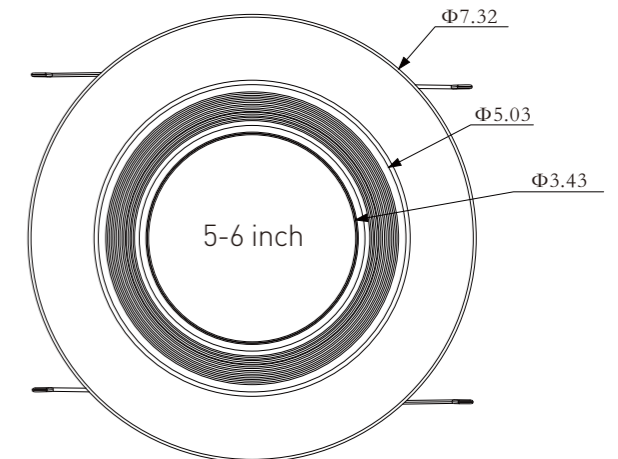
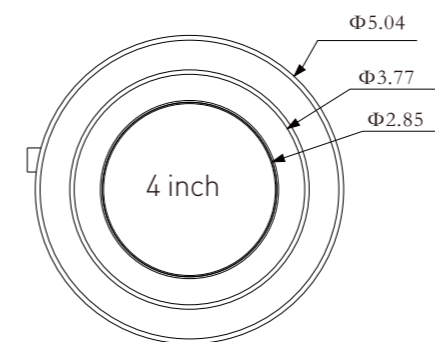
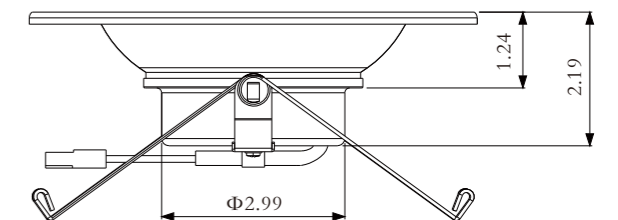
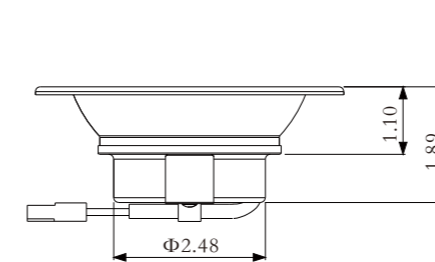


0.079inch	54.9 lx	125.2 lx	149.33inch
0.157inch	13.7 lx	31.3 lx	298.70inch
0.236inch	6.1 lx	13.9 lx	448.03inch
0.315inch	3.4 lx	7.8 lx	597.40inch
0.394inch	2.2 lx	5.0 lx	746.73inch
Height	Angle:86.96deg	Eavg	Emax. Diameter

6 inch



0.079inch	41.8 lx	89.7 lx	139.49inch
0.157inch	10.4 lx	22.4 lx	279.02inch
0.236inch	4.6 lx	9.9 lx	418.50inch
0.315inch	2.6 lx	5.6 lx	558.03inch
0.394inch	1.6 lx	3.5 lx	697.52inch
Height	Angle:83.07deg	Eavg	Emax. Diameter



# 5CCT Adjustable Downlight

This downlight adopts exposed dip switch to adjust 5CCT so as to achieve the diversity of application.

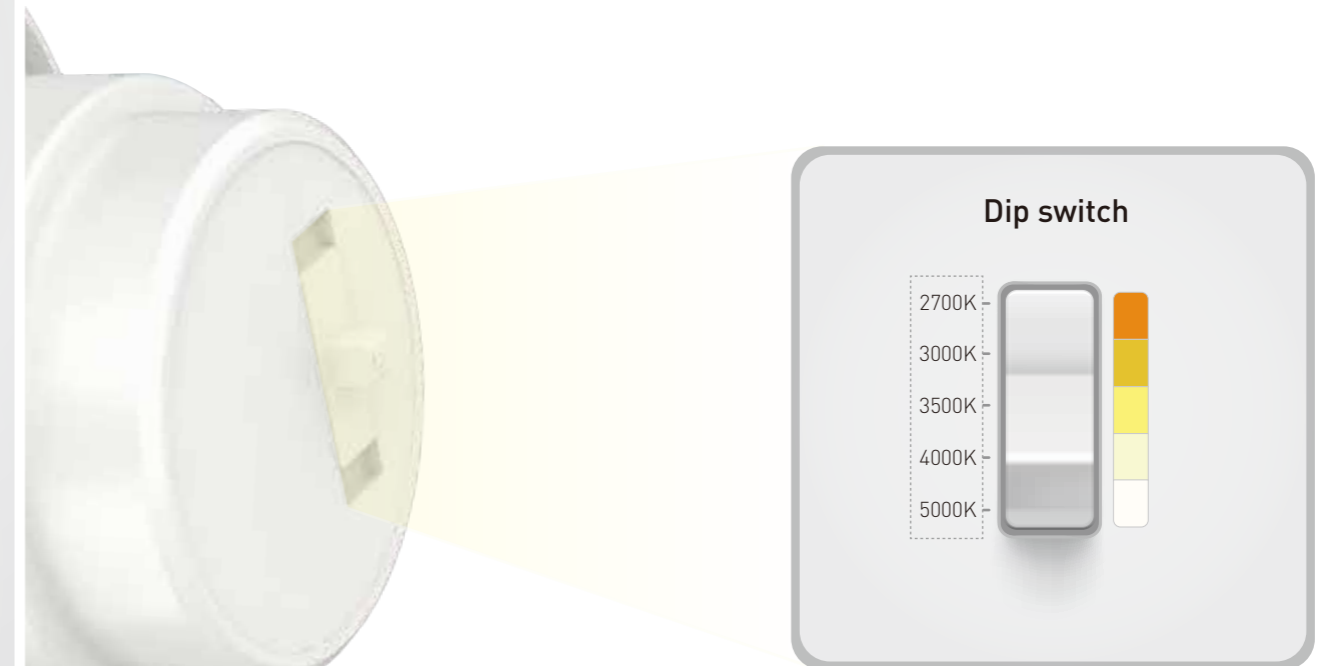
HTB Series



## Color tunable

Achieve selection of five types of color temperature through five-section dip switch.

Dip switch: 2700K-3000K-3500K-4000K-5000K



Smooth



Baffle

## Optical engine design

The adoption of optical engine design ensures higher integration and smaller volume.

## Small electromagnetic radiation

Adopt DOB solution, small electromagnetic radiation.



6 inch



4 inch



## Triac Dimming

Compatible with most US Triac dimmers, good brightness effect, no flicker, Dimming range:10-100%.

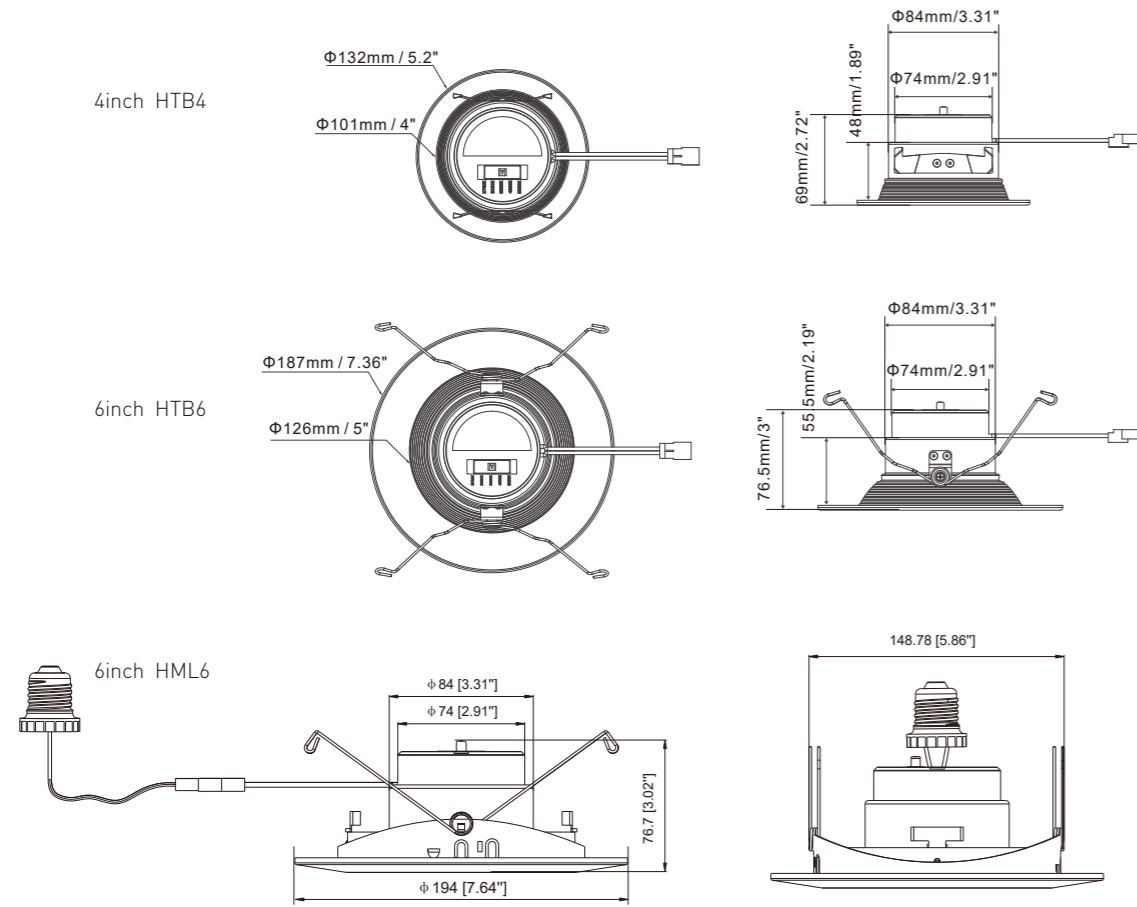


## Long Lifetime

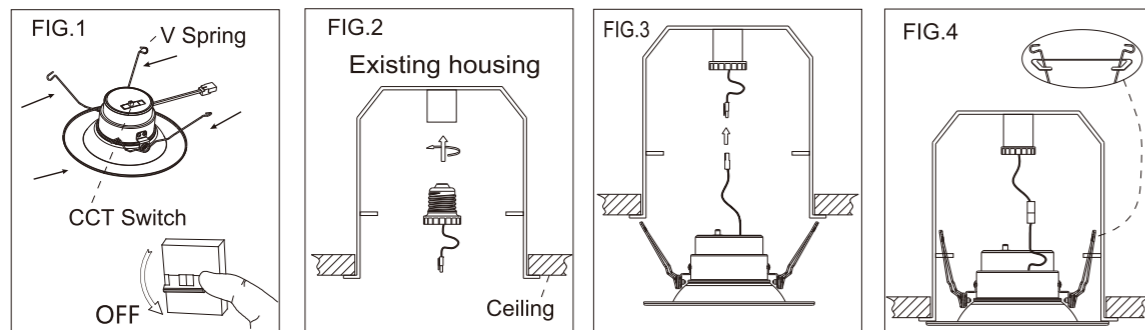
Excellent thermal management to ensure long lifetime of LED.

**50000** hours

# Dimensions



# Installation



# Parameters



Product name	CCT	Lumen(lm)	Cutout size	LEDs type	CRI	PF	Power(W)	Voltage
4inch HTB4	● 2700K	740	$\Phi 3.31$ inch	SMD2835	Ra > 90	> 0.8	10W	120Vac 60Hz
	● 3000K	810						
	● 3500K	827						
	● 4000K	860						
	● 5000K	790						
6inch HTB6	● 2700K	1100	$\Phi 3.31$ inch	SMD2835	Ra > 90	> 0.8	15W	120Vac 60Hz
	● 3000K	1200						
	● 3500K	1250						
	● 4000K	1300						
	● 5000K	1150						
6inch HML6	● 2700K	950	$\Phi 5.86$ inch	SMD2835	Ra > 90	> 0.8	15W	120Vac 60Hz
	● 3000K	1100						
	● 3500K	1200						
	● 4000K	1250						
	● 5000K	1100						

Control method: Change color temperature by dip switch

# Package

Product size	Inner size	Carton size	Pack Quantity	Net weight	Gross weight
4 inch HTB4	5.39 * 3.46 * 5.43 inch	11.30 * 11.1 * 11.81 inch	1 PC/inner box 12 inner boxes/carton	3.96 lb	9.0 lb
6 inch HTB6	7.68 * 3.7 * 7.80 inch	16.14 * 11.81 * 16.54 inch	1 PC/inner box 12 inner boxes/carton	5.28 lb	12.48 lb
6 inch HML6	8.27 * 7.87 * 3.35 inch	117.4 * 16.38 * 11.02 inch	1 PC/inner box 12 inner boxes/carton	10.10 lb	15.65 lb

# 5CCT Adjustable Downlight

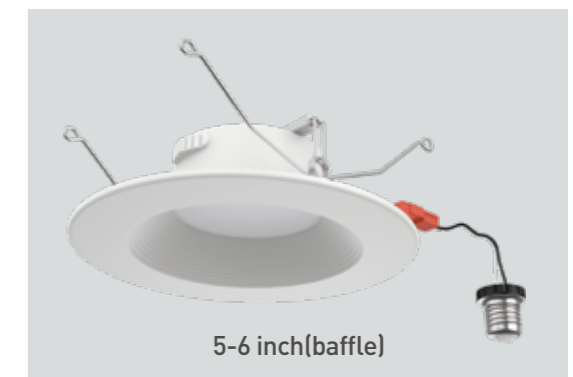
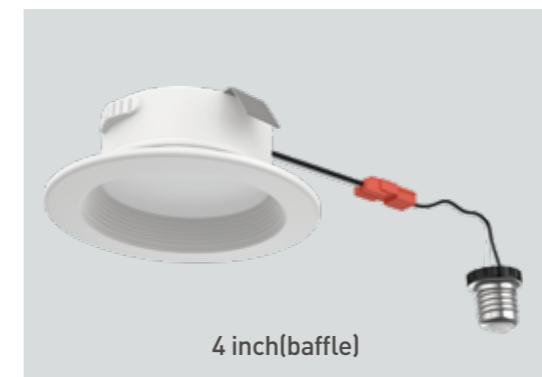
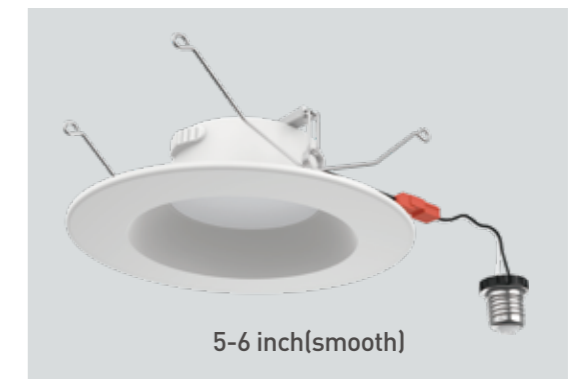
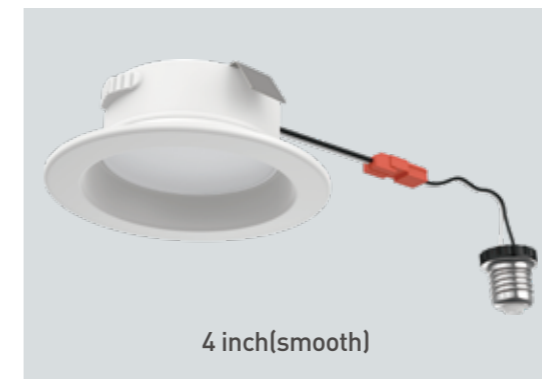
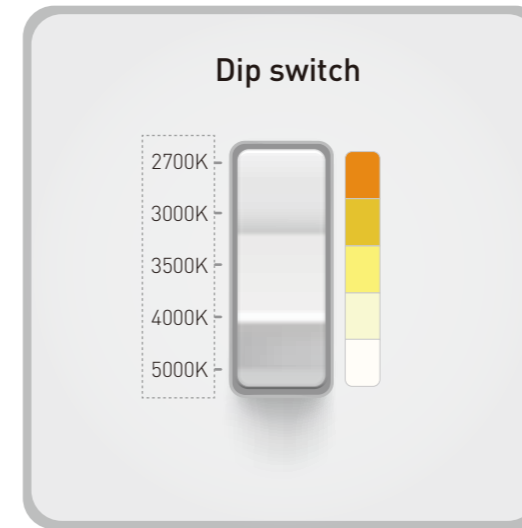
5CCT downlight adopts exposed the design of the side switch makes it easier to adjust the color temperature

DL207 Series



## Color tunable

Five color temperature can achieve five-stage dip switch:2700K-3000K-3500K-4000K-5000K.



## Optical engine design

Optical engine design, higher product integration and smaller size.

## Small electromagnetic radiation

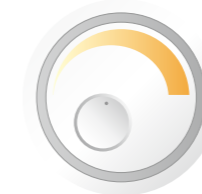
Adopt DOB solution, small electromagnetic radiation.



## Long Lifetime

Excellent thermal management to ensure long lifetime of LED.

**50000** hours



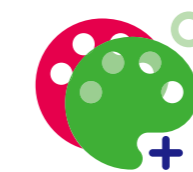
## Triac Dimming

Compatible with most US triac dimmers, good brightness effect, no flicker.



## Cost-effective

High-efficient and energy-saving LED driver.



## High color rendering

Ra>90, can truly restore the original color of the object

# Parameters



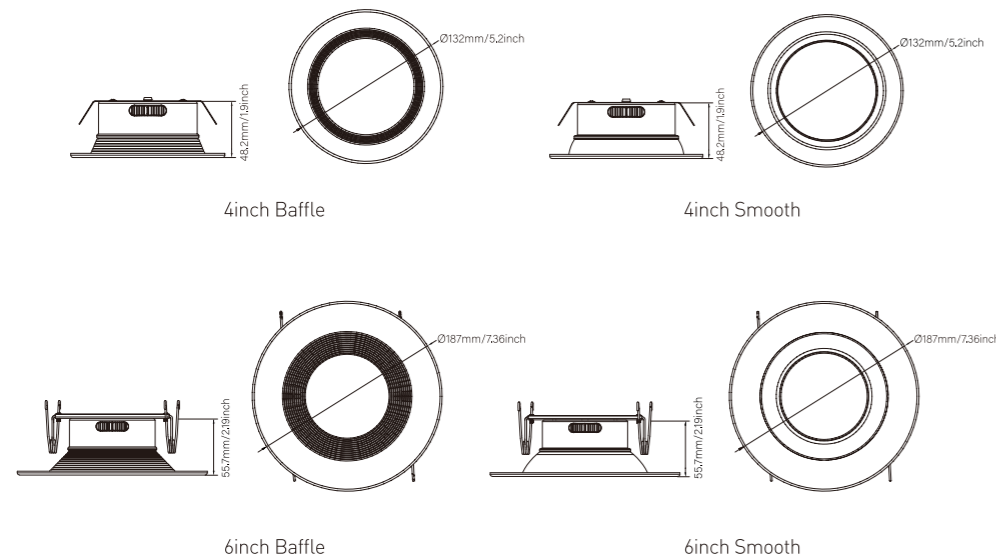
Product name	CCT	Lumen(lm)	Cutout size	LEDs type	CRI	PF	Power(W)	Voltage
4inch DL207	● 2700K	620	Φ 3.31 inch	SMD2835	Ra>90	>0.9	10W	120Vac 60Hz
	● 3000K	700						
	● 3500K	720						
	● 4000K	720						
	● 5000K	700						
6inch DL207	● 2700K	920	Φ 3.31 inch	SMD2835	Ra>90	>0.9	15W	120Vac 60Hz
	● 3000K	1000						
	● 3500K	1000						
	● 4000K	1100						
	● 5000K	1000						

Control method: Change color temperature by dip switch

## Package

Product size	Inner size	Carton size	Pack Quantity	Net weight	Gross weight
4 inch	5.51 *2.36*5.51 inch	17.32*10.24*17.52 inch	1 PC/inner box 36 inner boxes/carton	0.28 lb	14.14 lb
6 inch	7.68*3.15*7.68 inch	19.88*16.14*16.14 inch	1 PC/inner box 24 inner boxes/carton	0.41 lb	15.31 lb

Unit: inch



The model specifications of Downlight compatible thyristor dimmer are listed below.

DL207T-4-10W-5CCT, DL207BT-4-10W-5CCT Compatible SCR List

NO.	Dimmer Brand	Dimmer Model	F/B incision	Rated power (W)	PF (Max Power)	Max out current(mA)	Min Power (W)	Min out current(mA)	Max. dimming ratio	Min. dimming ratio
1	Lutron	CTCL-153P	F	10	0.83	52	0.72	0	98	0
2	Lutron	MACL-153MH-WH	F	10	0.8	52	0.75	0	98	0
3	Lutron	SCL-153P	F	10	0.83	52	0.53	0	98	0
4	Leviton	CL-6674	F	10	0.85	52	1.12	0	98	0
5	Leviton	CL-6672	F	10	0.85	51	1.88	0	96	0
6	Leviton	CL-6683	F	10	0.84	52	0.06	0	98	0
7	Leviton	IPL06	F	10	0.85	52	1.01	0	98	0
8	COOPER	SALO6P	F	10	0.84	52	1.42	0	98	0

DL207T-6-15W-5CCT, DL207BT-6-15W-5CCT Compatible SCR List

NO.	Dimmer Brand	Dimmer Model	F/B incision	Rated power (W)	PF (Max Power)	Max out current(mA)	Min Power (W)	Min out current(mA)	Max. dimming ratio	Min. dimming ratio
1	Lutron	CTCL-153P	F	15	0.81	88	0.71	0	98	0
2	Lutron	MACL-153MH-WH	F	15	0.8	87	0.75	0	98	0
3	Lutron	SCL-153P	F	15	0.81	87	0.52	0	98	0
4	Leviton	CL-6674	F	15	0.82	87	1.05	0	98	0
5	Leviton	CL-6672	F	15	0.82	87	2.53	1	98	1
6	Leviton	CL-6683	F	15	0.816	86	0.06	0	97	0
7	Leviton	IPL06	F	15	0.818	86	0.98	0	97	0

# Smart Bluetooth Series

The smart downlight adopts Bluetooth 5.0 Mesh Network, which can realize the brightness of cold/warm white and infinite variation of color temperature, more intelligent and more energy efficient.



Voice control

Si-home APP



## Optical engine design

Optical engine design, higher product integration and smaller size.

## Small electromagnetic radiation

Adopt DOB solution, small electromagnetic radiation.



## Color tunable

2700K-6500K or 2700K-6500K+RGB, realize the change of color temperature, color and brightness.

2700K-6500K



2700K-6500K + RGB



## Long Lifetime

Excellent thermal management to ensure long lifetime of LED.

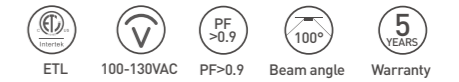
**50000**

hours





## Parameters



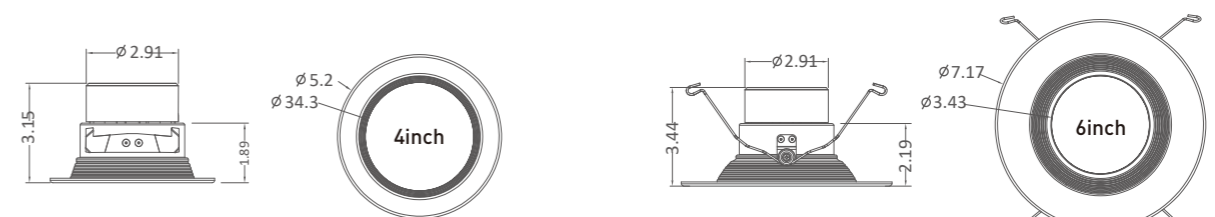
Product name	CCT	Lumen(lm)	Cutout size	LEDs type	Channel	Power(W)	Voltage
4 inch 9W CW	6000-7000K 2700-3250K	620 530	Φ 3.43 inch	SMD2835	2 channels (W+WW)	Sleep power: 1±15% Warm White: 9±10% Cold White: 9±10%	100-130Vac 60Hz
4inch 9W RGBCW	6000-7000K 2700-3250K Red Green Blue	620 530 18-28 58-80 15-25	Φ 3.43 inch	SMD2835 SMD5050(RGB)	5 channels (RGB+W+WW)	Sleep power: 1±15% Warm White: 9±10% Cold White: 9±10% RGB: 6.5±10%	100-130Vac 60Hz
4 inch 15W CW	6000-7000K 2700-3250K	620 530	Φ 3.43 inch	SMD2835	2 channels (W+WW)	Sleep power: 1±15% Warm White: 9±10% Cold White: 9±10%	100-130Vac 60Hz
4inch 15W RGBCW	6000-7000K 2700-3250K Red Green Blue	620 530 18-28 58-80 15-25	Φ 3.43 inch	SMD2835 SMD5050(RGB)	5 channels (RGB+W+WW)	Sleep power: 1±15% Warm White: 13±10% Cold White: 13±10% RGB: 6.5±10%	100-130Vac 60Hz

Control method: Bluetooth

## Package

Product size	Inner size	Carton size	Pack Quantity	Net weight	Gross weight
4 inch	5.91*5.91*4.53 inch	22.41*18.5*14.37 inch	1 PC/inner box 36 inner boxes/carton	0.44 lb	25.57 lb
6 inch	8.46*8.46*4.53 inch	34.65*17.72*14.37 inch	1 PC/inner box 24 inner boxes/carton	0.55 lb	24.47 lb

Unit: inch



## Application

Used in offices, shopping malls, homes, etc. through Bluetooth control, users can better enjoy the fun of work and life brought by intelligent products; Meanwhile, users can download the corresponding APPs in smart terminal to realize many functions.

# LED flush mount slim down light

## 5CCT adjustable Version

5 CCT adjustable: 2700K-3000K-3500K-4000K-5000K by dip switch



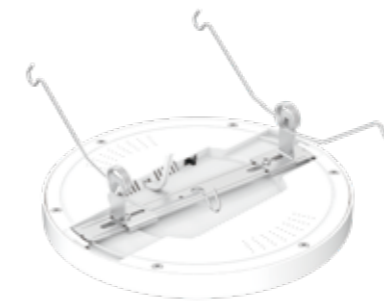
## Simple and Beautiful

The plastic shell has fashionable appearance.

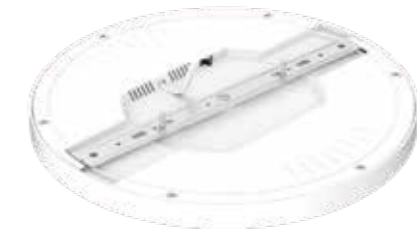


## Two installation way

4" and 6" two sizes are available, with flush mount and retrofit two installation ways.



Retrofit



Flush mount

## No yellowing, long life span

Acrylic light guide, laser dotting,  
no yellowing, long life span.

## CRI>90

Adopt edge-lit tech, visual uniformity, CRI option>90.



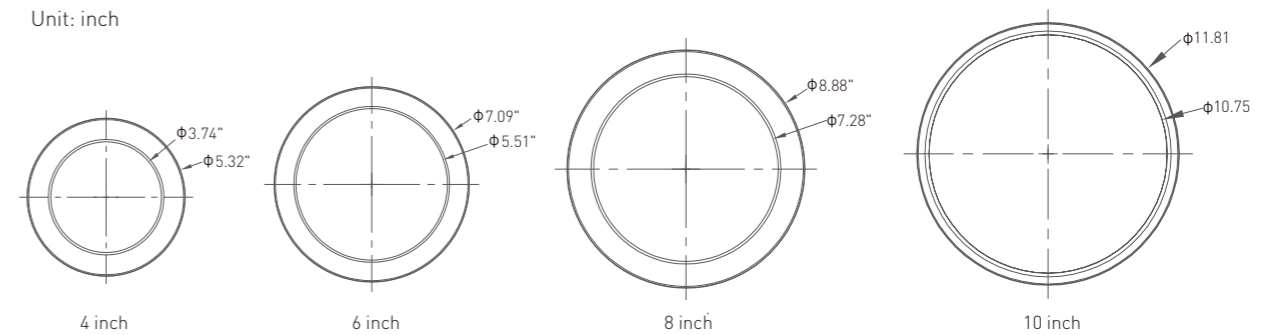
## Parameters **ETL** for US



### Round Series

Product size	CCT	Lumen(lm)	Beam angle(°)	LEDs type	CRI	PF	Power(W)	Voltage
4inch	<ul style="list-style-type: none"> <li>● 5000K</li> <li>● 4000K</li> <li>● 3500K</li> <li>● 3000K</li> <li>● 2700K</li> </ul>	500-600	110°	SMD2835	Ra>90	>0.9	9W	AC120V 50/60Hz
6inch	<ul style="list-style-type: none"> <li>● 5000K</li> <li>● 4000K</li> <li>● 3500K</li> <li>● 3000K</li> <li>● 2700K</li> </ul>	750-880	110°	SMD2835	Ra>90	>0.9	12W	AC120V 50/60Hz
8inch	<ul style="list-style-type: none"> <li>● 5000K</li> <li>● 4000K</li> <li>● 3500K</li> <li>● 3000K</li> <li>● 2700K</li> </ul>	1100-1400	110°	SMD2835	Ra>90	>0.9	18W	AC120V 50/60Hz
10inch	<ul style="list-style-type: none"> <li>● 5000K</li> <li>● 4000K</li> <li>● 3500K</li> <li>● 3000K</li> <li>● 2700K</li> </ul>	1650-1800	110°	SMD2835	Ra>90	>0.9	22W	AC120V 50/60Hz

Unit: inch



## Package

Product size	Inner size	Carton size	Pack Quantity	Net weight	Gross weight
4inch	8.2*6.02*1.77inch	18.9*12.99*17.32inch	1 PCS/inner box 40 pcs/carton	0.46 lb	21 lb
6inch	10.7*8.15*1.77inch	27.76*9.25*22.24inch	1 PCS/inner box 30 pcs/carton	0.77 lb	26.5 lb
8inch	10.04*9.84*1.18inch	15.75*10.39*20.87inch	1 PCS/inner box 24 pcs/carton	0.99 lb	30.9 lb
10inch	13.98*13.39*2.44inch	28.94*14.17*13.58inch	1 PCS/inner box 10 pcs/carton	1.59 lb	23.37 lb

# 3CCT tunable slim downlight

3 CCT adjustable: 3000K-4000K-6000K by dip switch



## 16.8mm ultra-thin thickness

Super slim lamp body thickness, 16.8 mm applicable for any ceiling.

## IP44 waterproof

Waterproof ring for use in wet location.

## No yellowing, long life span

Acrylic light guide, laser dotting, no yellowing, long life span.

## CRI80/90 optional

Adopt edge-lit tech, visual uniformity, CRI 80 or 90 optional.



# Parameters

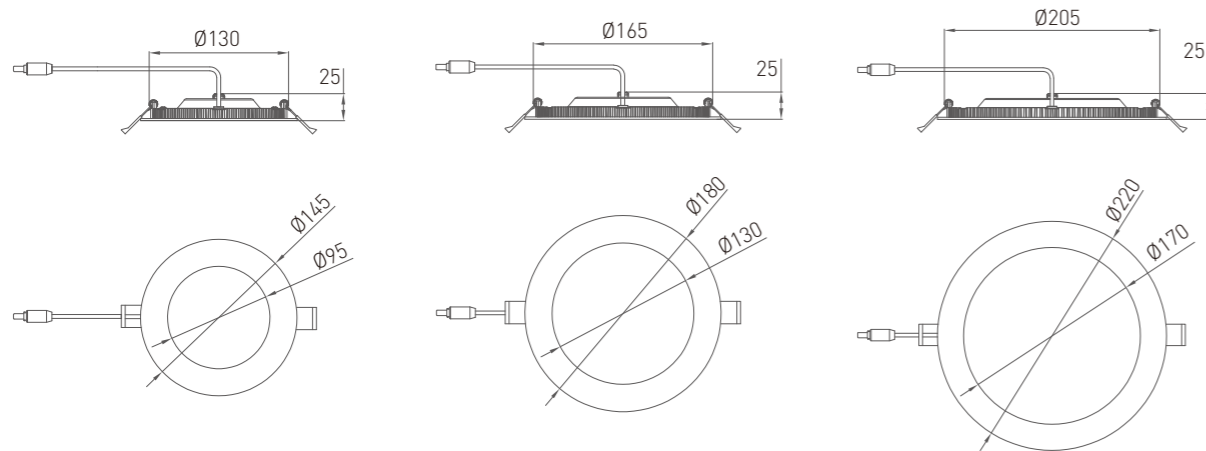


Product size	CCT	Lumen(lm)	Beam angle(°)	LEDs type	CRI	PF	Power(W)	Voltage
4 inch	6000K 4000K 3000K	550	110°	SMD2835	Ra>80	>0.9	9W	220-240VAC 50/60Hz
6 inch	6000K 4000K 3000K	880	110°	SMD2835	Ra>80	>0.9	12W	220-240VAC 50/60Hz
8 inch	6000K 4000K 3000K	1500/1800	110°	SMD2835	Ra>80	>0.9	18/22W	220-240VAC 50/60Hz

# Package

Product size	Inner size	Carton size	Pack Quantity	Net weight	Gross weight
4 inch	220*185*55mm	520*390*460mm	1 PCS/inner box 40 pcs/carton	0.28 kg	16.3 kg
6 inch	250*225*55mm	540*520*456mm	1 PCS/inner box 40 pcs/carton	0.36 kg	20.5 kg
8 inch	305*265*55	556*520*325	1 PCS/inner box 20 pcs/carton	0.55 kg	14.6 kg

Unit: mm





# Ultra-thin downlight

DL101 series



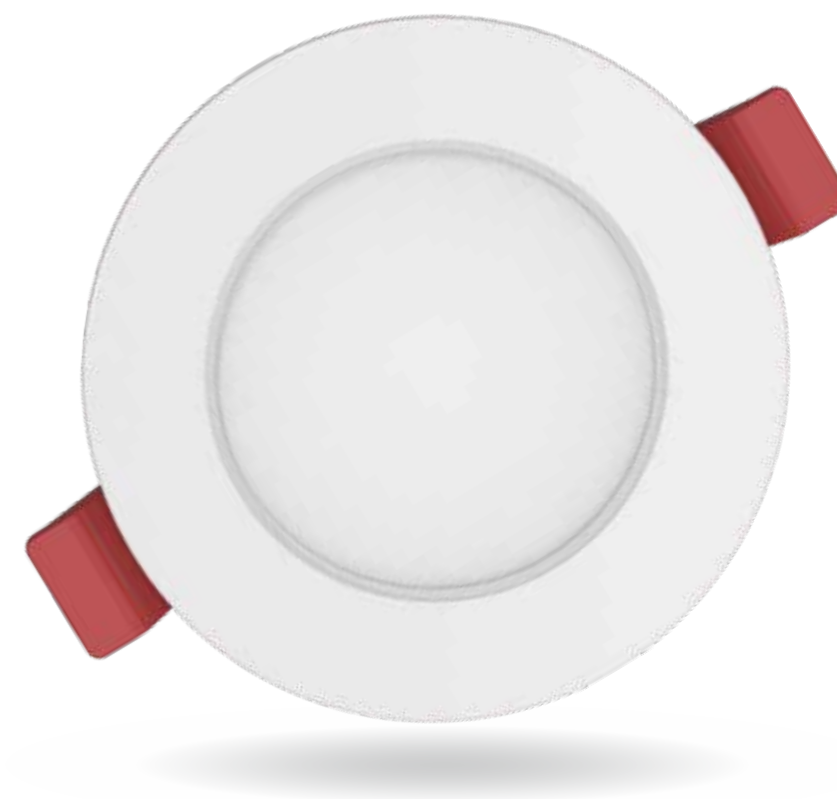
## Ultra-thin design

The product radiator is integrally formed, with a height of 30.2mm, ultra-thin, and white powder spraying for surface treatment.



## Uniform light

PC diffuser mask is adopted to give uniform light.



## Energy-efficient drive supply

Separate design of power supply and main body, which is more advantageous to ensure the life of power supply and LED.

## Snap fit installation

The lamp is snap-fitted for faster installation.

## Die-casting processing

The main material of this product is aluminum alloy, and the main process is die-casting processing.



## Parameters CE for EU



Product size	CCT	Lumen(lm)	Beam angle(°)	LEDs type	CRI	PF	Power(W)	Voltage
2.5 inch	6500K	1000	110°	2835	Ra>80	>0.9	10W	220-240V AC 50/60Hz
	5000K	1100						
	4000K	1050						
	3000K	749						
3.5 inch	6500K	1500	110°	2835	Ra>80	>0.9	15W	220-240V AC 50/60Hz
	5000K	1575						
	4000K	1650						
	3000K	1725						
4 inch	6500K	2300	110°	2835	Ra>80	>0.9	20W	220-240V AC 50/60Hz
	5000K	2200						
	4000K	2100						
	3000K	2000						
6 inch	6500K	3000	110°	2835	Ra>80	>0.9	30W	220-240V AC 50/60Hz
	5000K	3150						
	4000K	3300						
	3000K	3480						
8 inch	6500K	4800	110°	2835	Ra>80	>0.9	40W	220-240V AC 50/60Hz
	5000K	4600						
	4000K	4400						
	3000K	4200						

## Package

Product size	Inner size	Carton size	Pack Quantity	Net weight	Gross weight
2.5 inch	140*45*135mm	438*472*428mm	1 PC/inner box 90 inner boxes/carton	0.17 kg	19.5 kg
3.5 inch	148*45*135mm	462*472*428mm	1 PC/inner box 90 inner boxes/carton	0.18 kg	20.4 kg
4 inch	173*45*153mm	364*472*482mm	1 PC/inner box 60 inner boxes/carton	0.23 kg	17.5 kg
6 inch	200*45*187mm	418*472*397mm	1 PC/inner box 40 inner boxes/carton	0.34 kg	16.8 kg
8 inch	250*45*238mm	518*472*499mm	1 PC/inner box 40 inner boxes/carton	0.47 kg	23.78 kg





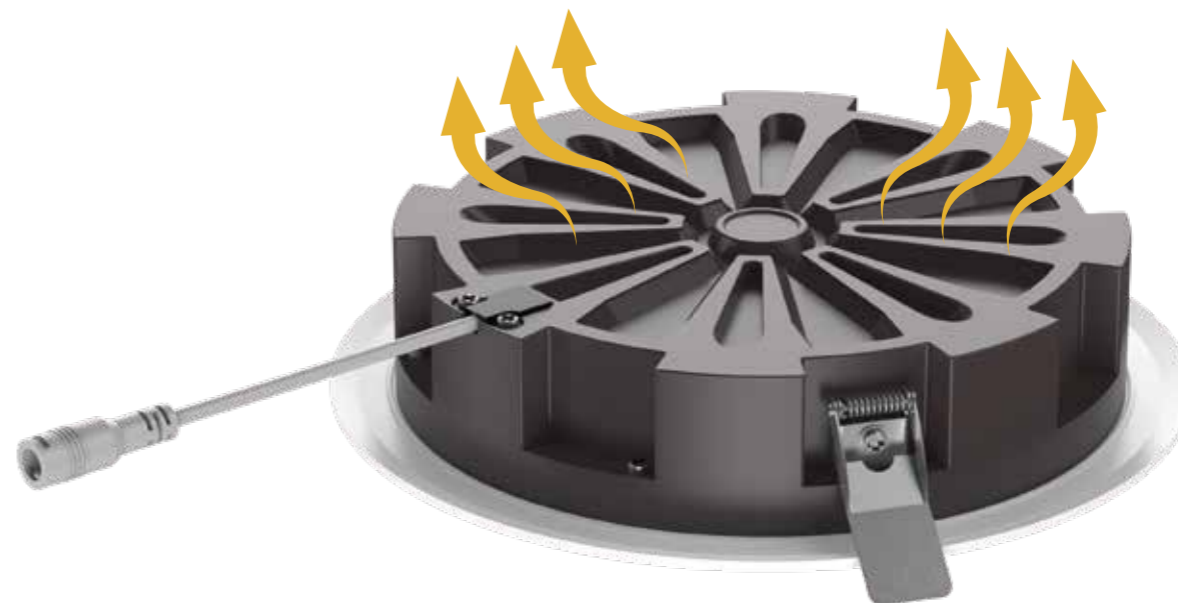
# Ultra-thin downlight

DL102 series



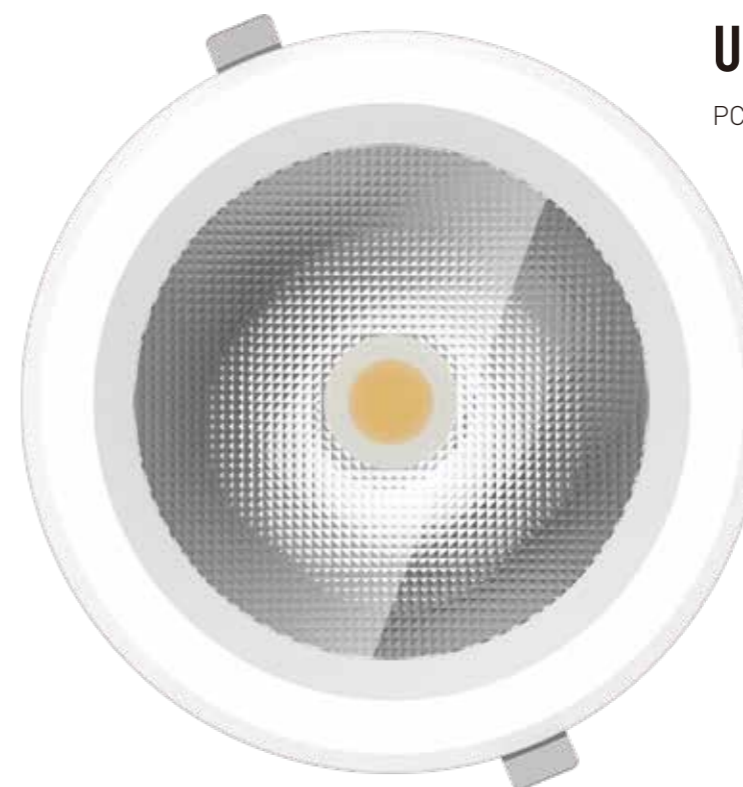
## Good heat dissipation

Adopt aluminum alloy as material, casting process, heat dissipation is good.



## Uniform light

PC diffuser mask is adopted to give uniform light.



## Anti-glare design

High light transmittance, low light loss, anti chord light.

## Separate design of power supply

Separate design of power supply and main body, which is more advantageous to ensure the life of power supply and LED.

## Snap fit installation

The lamp is snap-fitted for faster installation.

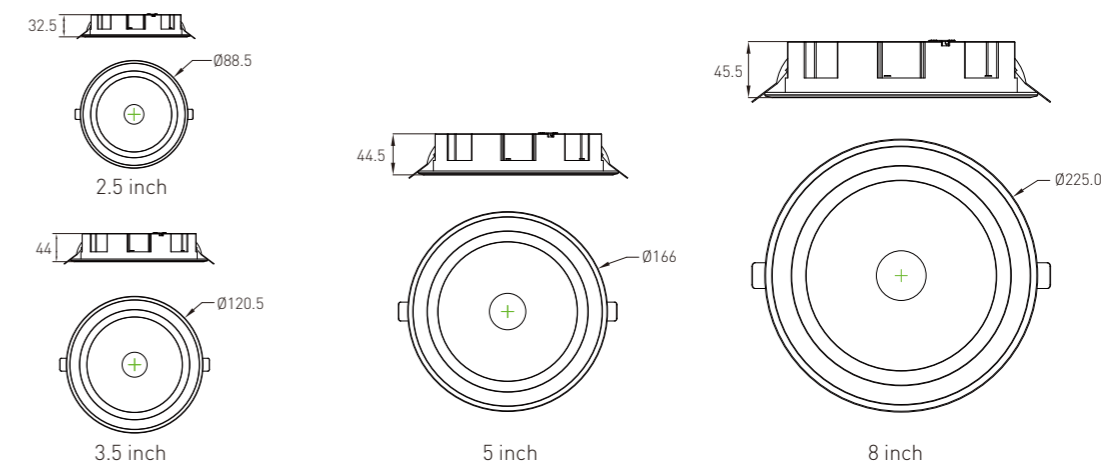


## Parameters CE for EU



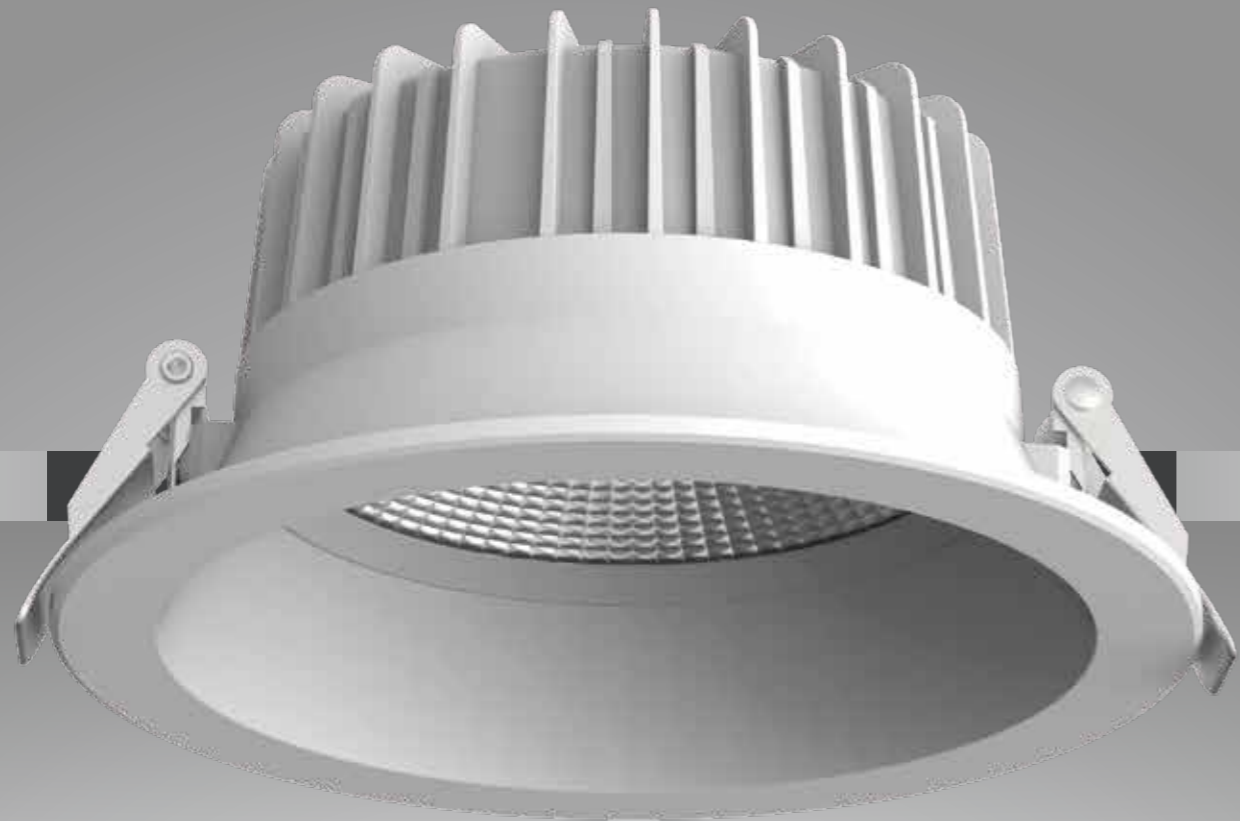
Product size	CCT	Lumen(lm)	Beam angle(°)	LEDs type	CRI	PF	Power(W)	Voltage
2.5 inch	6500K	780	110°	COB	Ra>80	>0.9	7W	220-240V AC 50/60Hz
	5000K	756						
	4000K	757						
	3000K	749						
3.5 inch	6500K	1095	110°	COB	Ra>80	>0.9	10W	220-240V AC 50/60Hz
	5000K	1064						
	4000K	1053						
	3000K	1130						
5 inch	6500K	1765	110°	COB	Ra>80	>0.9	15W	220-240V AC 50/60Hz
	5000K	1756						
	4000K	1743						
	3000K	1598						
8 inch	6500K	3560	110°	COB	Ra>80	>0.9	30W	220-240V AC 50/60Hz
	5000K	3548						
	4000K	3590						
	3000K	3480						

Unit: mm

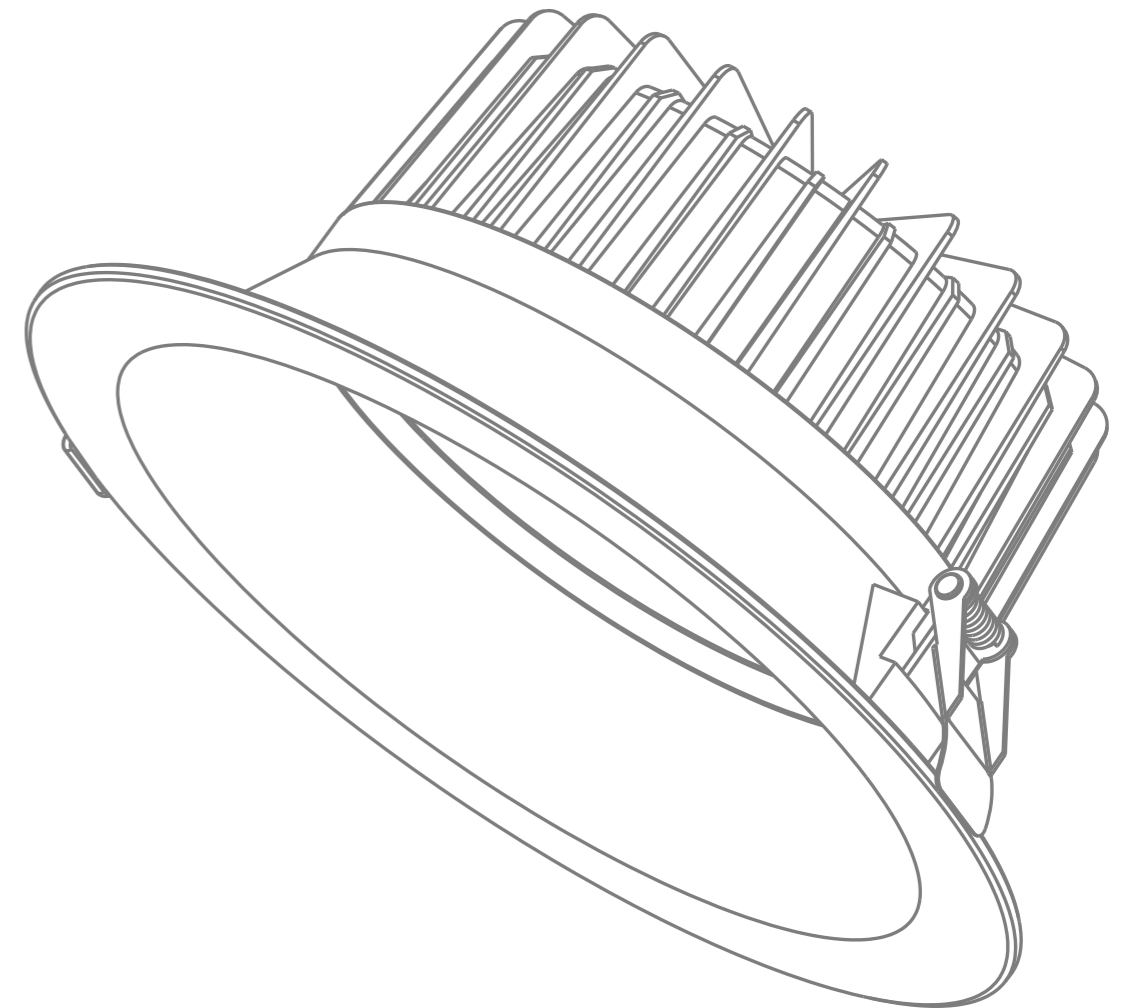


## Package

Product size	Inner size	Carton size	Pack Quantity	Net weight	Gross weight
2.5 inch	105*105*85mm	440*440*450mm	1 PC/inner box 80 inner boxes/carton	0.21 kg	21.1 kg
3.5 inch	130*130*80mm	540*540*345mm	1 PC/inner box 64 inner boxes/carton	0.31 kg	21.0 kg
5 inch	170*170*80mm	530*530*430mm	1 PC/inner box 30 inner boxes/carton	0.42 kg	14.1 kg
8 inch	230*230*95mm	480*480*505mm	1 PC/inner box 20 inner boxes/carton	0.72 kg	15.9 kg

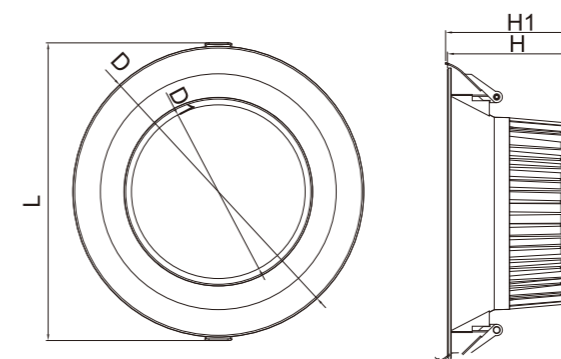


Unique structure ensures optimal cooling effect and light effect; significant energy-saving, flexible color difference control system, ensures single persistence of light and color; aluminum alloy housing, ensures high-end and gorgeous product with beautiful design; transparent and frosted glass cover for option, indent shape of glass to reach anti-glare effect; reflection cup with metal luster to improve light effect and uniformity; lifetime reaches 50,000 hours.



# Dolux Series

Suitable for hotel, corridor, home decoration, shopping mall, exhibition room, etc.



	3inch	4inch	6inch	8inch
D	100mm	118mm	170mm	230mm
D1	50.7mm	57.6mm	104.2mm	137mm
H	49.5mm	60mm	80.5mm	102mm
H1	53mm	62mm	86mm	106mm
L	105mm	123mm	177mm	235mm



3 inch

4 inch

6 inch

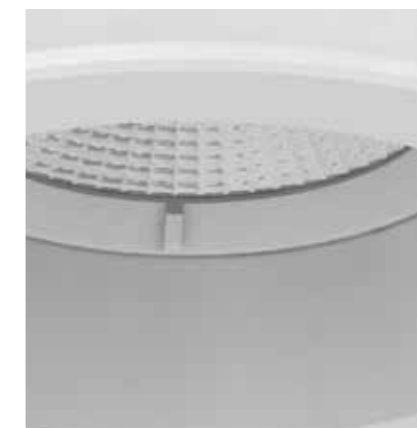
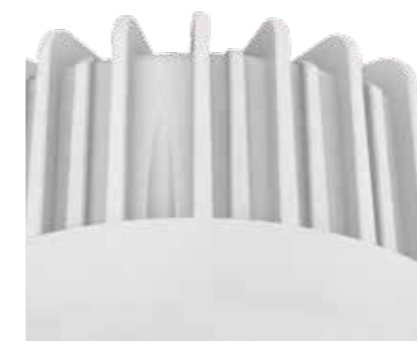
8 inch



## Long Lifetime

Lifetime reaches 50,000 hours.

**50000** hours



## Anti-glare effect

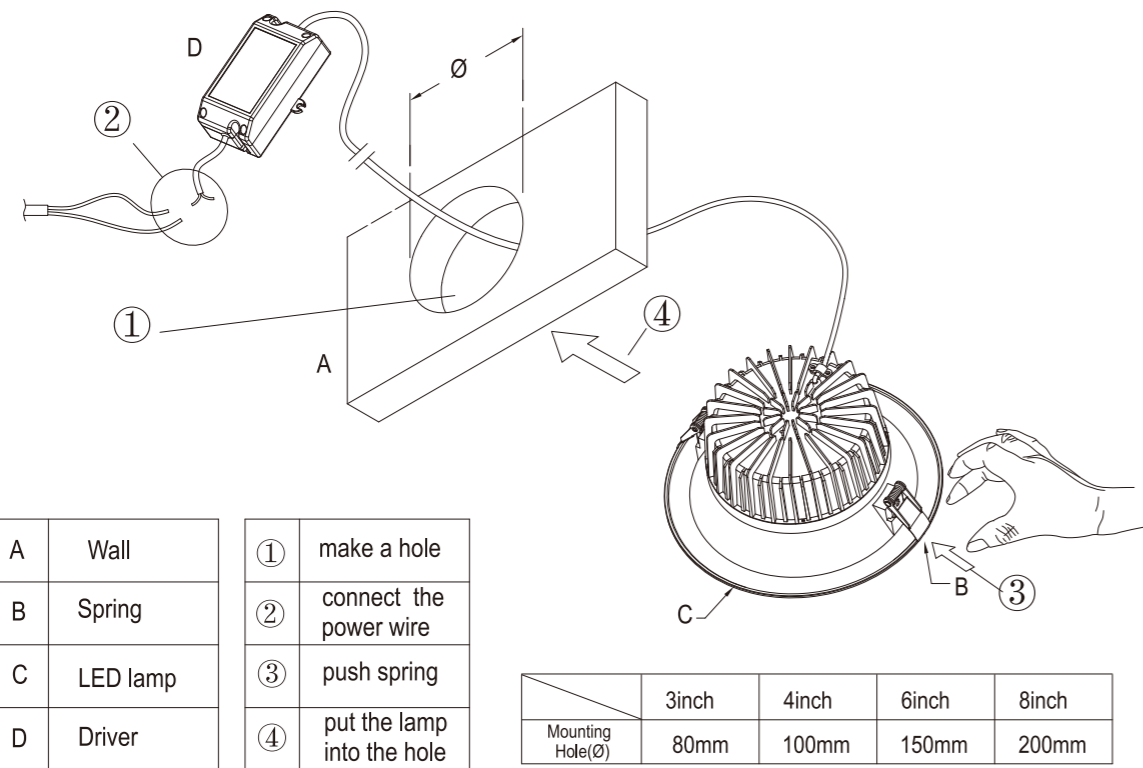
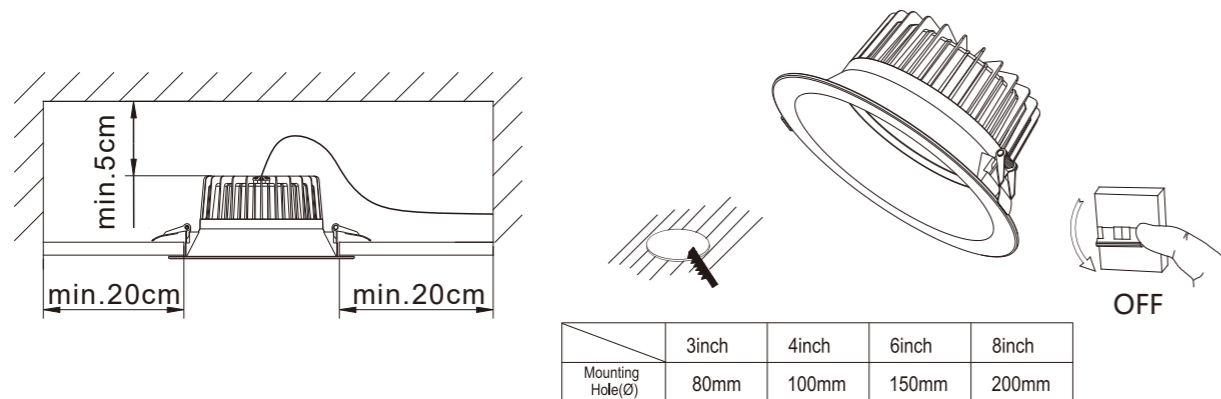
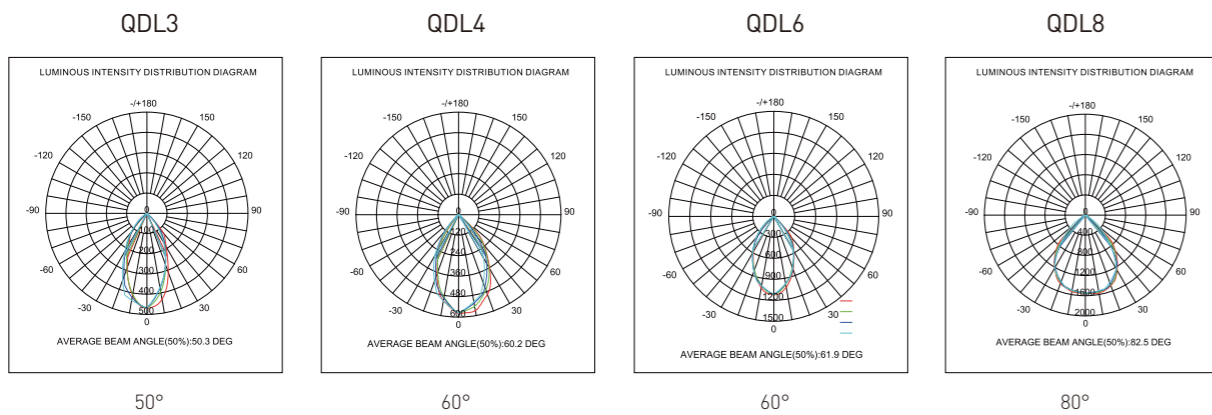
Transparent and frosted glass cover for option, indent shape of glass to reach anti-glare effect, UGR<19.

## Improve light effect

Reflection cup with metal luster to improve light effect and uniformity.

## Color difference control

Significant energy-saving, flexible color difference control system, ensures single persistence of light and color.

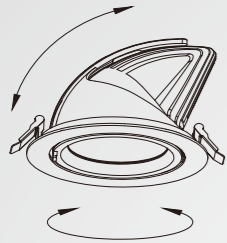


## Parameters CE for EU



Product name	CCT	Lumen(lm)	Cutout size(mm)	LEDs type	CRI	PF	Power(W)	Voltage
Dolux 3inch	5000K	430	Φ 80	COB	Ra>80	>0.9	5W	100-240V AC 50/60Hz
	4000K	430						
	3000K	430						
Dolux 3inch	5000K	500	Φ 80	COB	Ra>80	>0.9	7W	100-240V AC 50/60Hz
	4000K	500						
	3000K	500						
Dolux 3inch	5000K	650	Φ 80	COB	Ra>80	>0.9	9W	100-240V AC 50/60Hz
	4000K	650						
	3000K	650						
Dolux 3inch	5000K	920	Φ 80	COB	Ra>80	>0.9	12W	100-240V AC 50/60Hz
	4000K	920						
	3000K	920						
Dolux 4inch	5000K	550	Φ 100	COB	Ra>80	>0.9	7W	100-240V AC 50/60Hz
	4000K	550						
	3000K	550						
Dolux 4inch	5000K	690	Φ 100	COB	Ra>80	>0.9	9W	100-240V AC 50/60Hz
	4000K	690						
	3000K	690						
Dolux 4inch	5000K	1000	Φ 100	COB	Ra>80	>0.9	12W	100-240V AC 50/60Hz
	4000K	1000						
	3000K	1000						
Dolux 4inch	5000K	1150	Φ 100	COB	Ra>80	>0.9	15W	100-240V AC 50/60Hz
	4000K	1150						
	3000K	1150						
Dolux 6inch	5000K	1150	Φ 150	COB	Ra>80	>0.9	12W	100-240V AC 50/60Hz
	4000K	1150						
	3000K	1150						
Dolux 6inch	5000K	1700	Φ 150	COB	Ra>80	>0.9	18W	100-240V AC 50/60Hz
	4000K	1700						
	3000K	1700						
Dolux 6inch	5000K	2250	Φ 150	COB	Ra>80	>0.9	25W	100-240V AC 50/60Hz
	4000K	2250						
	3000K	2250						
Dolux 6inch	5000K	2850	Φ 150	COB	Ra>80	>0.9	3W	100-240V AC 50/60Hz
	4000K	2850						
	3000K	2850						
Dolux 8inch	5000K	1700	Φ 200	COB	Ra>80	>0.9	18W	100-240V AC 50/60Hz
	4000K	1700						
	3000K	1700						
Dolux 8inch	5000K	2350	Φ 200	COB	Ra>80	>0.9	25W	100-240V AC 50/60Hz
	4000K	2350						
	3000K	2350						
Dolux 8inch	5000K	2700	Φ 200	COB	Ra>80	>0.9	30W	100-240V AC 50/60Hz
	4000K	2700						
	3000K	2700						
Dolux 8inch	5000K	3150	Φ 200	COB	Ra>80	>0.9	35W	100-240V AC 50/60Hz
	4000K	3150						
	3000K	3150						

# Gimble Series



- Use die-casting aluminum alloy as main-body material
- Adoption of Shinland efficient reflection cup + lens. The light spot is even without overlapped light spots
- Unique and beautiful looking design, beautiful surface treatment with texture
- Good heat dissipation performance guarantee the long life span, small size and large power
- Use external LED driver to make sure low heat dissipation and longer lifetime of LED source, driver brand : Signcomplex, Philips, Osram, Tridonic and so on.
- Can replace traditional downlight



As Flexible As

An Elephant Trunk





### Shinland efficient reflection cup + lens

Efficient reflector + lens(15°/24°/36° ) by west landes, the spot is more uniform, no overlap spot.



### COB LEDs

CRI80, LM80, TM21>50,000Hrs

### Aluminum housing

The housing is made of die cast aluminum as radiator

### High efficiency

High efficiency and energy saving LED drivers.

### Unique appearance design

Surface treatment beauty with texture.

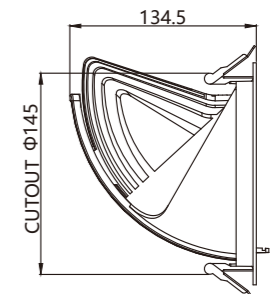
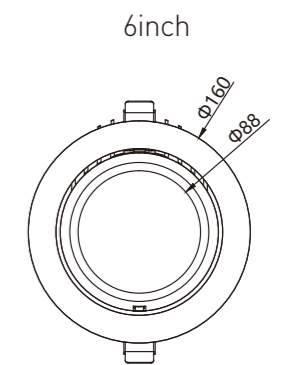
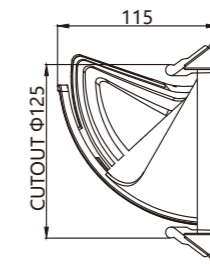
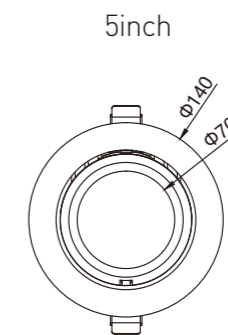
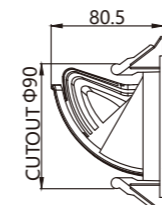
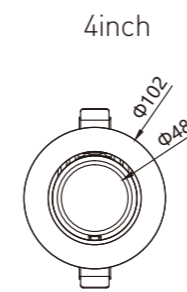




## Parameters



Product name	CCT	Lumen(lm)	Beam angle(°)	LEDs type	CRI	PF	Power(W)	Voltage
Gimble 4inch	5000K	1080	24°	COB	Ra>80	>0.9	12W	100-240V AC 50/60Hz
	4000K	1060						
	3000K	1050						
Gimble 4inch	5000K	1030	36°	COB	Ra>80	>0.9	12W	100-240V AC 50/60Hz
	4000K	1020						
	3000K	1010						
Gimble 5inch	5000K	3040	24°	COB	Ra>80	>0.9	30W	100-240V AC 50/60Hz
	4000K	2950						
	3000K	2530						
Gimble 5inch	5000K	3010	36°	COB	Ra>80	>0.9	30W	100-240V AC 50/60Hz
	4000K	2940						
	3000K	2660						
Gimble 6inch	5000K	4290	24°	COB	Ra>80	>0.9	40W	100-240V AC 50/60Hz
	4000K	4180						
	3000K	3830						
Gimble 6inch	5000K	4010	36°	COB	Ra>80	>0.9	40W	100-240V AC 50/60Hz
	4000K	3980						
	3000K	3680						





# Hotel Downlight Series

## CL202 Series



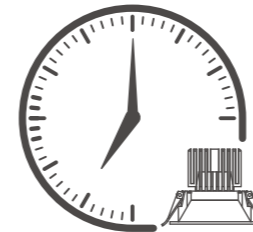
- The lamp body adopts forging design and forming process by pure-aluminum, the surface sprayed with matte white and gray, which offer better heat dissipation with longer service life, also an upscale appearance.
- The lamp body design with Mini-size, make it suitable for more places ,especially the limited space. the smaller, the more delicate, and the more hiding itself.
- Anti glare design, UGR<19, create a comfortable lighting environment atmosphere.
- Narrow angle design, offer 10°, 24°, 40° even 5° or 8°, we can give stronger accent lighting, and more prominent key effects.

### Good heat dissipation

The lamp body adopts forging design and forming process by pure-aluminum, the surface sprayed with matte white and gray, which offer better heat dissipation with longer service life, also an upscale appearance.

### Long Lifetime

Lifetime reach 50,000 hours.



**50000** hours

### UGR<19

Anti glare design, UGR<19, create a comfortable lighting environment atmosphere.





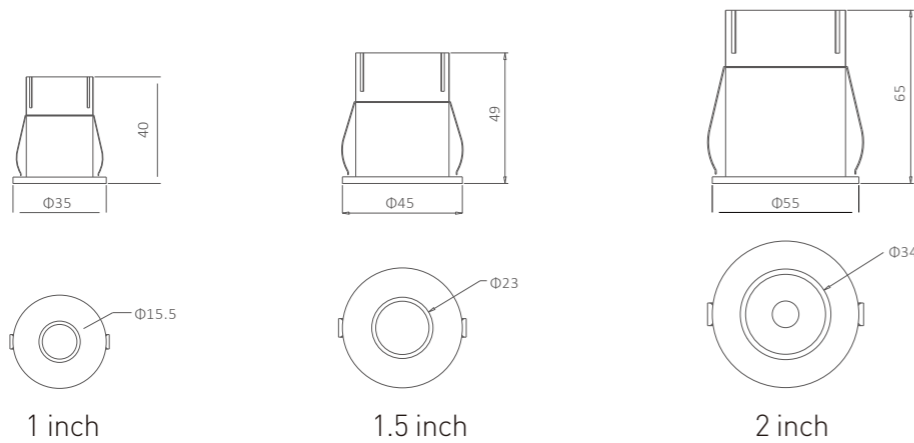
## Narrow angle design

Narrow angle design, offer 10°, 24°, 40° even 5° or 8°, we can give stronger accent lighting, and more prominent key effects.

### Parameters



Product size	CCT	Beam angle(°)	LEDs type	CRI	PF	Power(W)	Voltage
1 inch	<ul style="list-style-type: none"> <li>● 4000K</li> <li>● 3000K</li> <li>● 2700K</li> </ul>	10°/24°/38°	SMD3535	Ra>80	>0.3	1.5W	220-240V AC 50/60Hz
1.5 inch	<ul style="list-style-type: none"> <li>● 4000K</li> <li>● 3000K</li> <li>● 2700K</li> </ul>	5°/10°/24°/38°	SMD3535	Ra>80	>0.3	3.5W	220-240V AC 50/60Hz
2 inch	<ul style="list-style-type: none"> <li>● 4000K</li> <li>● 3000K</li> <li>● 2700K</li> </ul>	15°/24°/38°/60°	COB	Ra>80	>0.84	5W	220-240V AC 50/60Hz



# Hotel Downlight Series

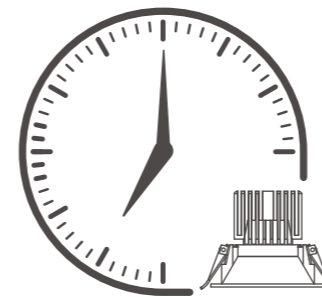
CL101 series



- The lamp housing is made of high quality aluminium alloy material which is treated with advanced static electricity spray process.
- The lamp offer multiple size: 3inch, 4inch, 5inch, and offer 3 different reflection cap: black, white, silver, suitable for all kinds of decoration styles.
- Reliable COB light source, no UV, no infrared radiation
- External driver make sure low heat, good performance with long lifetime. Also easy for replacement.
- >25degrees Anti-glare design, you can feel the gentle lighting but not the lamps when cross the ceiling, get a excellent environment experience.

## Good heat dissipation

The lamp housing is made of high quality aluminium alloy material with good heat dissipation performance.



## Long Lifetime

Lifetime reach 50,000 hours.

**50000** hours

## Anti-glare design

>25degrees Anti-glare design, you can feel the gentle lighting but not the lamps when cross the ceiling, get an excellent environment experience.



### 3 different reflection cap

Offer 3 different reflection cap: black, white, silver, suitable for all kinds of decoration styles.



White light control cup



Silver light control cup

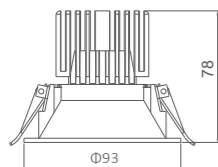


Black light control cup

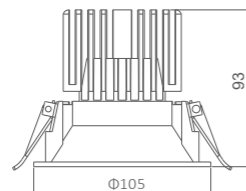
### Parameters



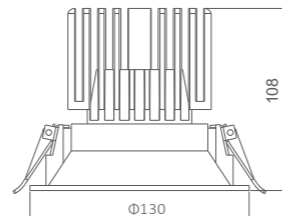
Product size	CCT	Lumen(lm)	Beam angle(°)	LEDs type	CRI	PF	Power(W)	Voltage
3 inch	5000K	750	20°/24°/36°	COB	Ra>80	>0.9	8W	220-240V AC 50/60Hz
	4000K	750						
	3000K	650						
	2700K	650						
4 inch	5000K	1700	20°/24°/36°	COB	Ra>80	>0.9	18W	220-240V AC 50/60Hz
	4000K	1700						
	3000K	1650						
	2700K	1650						
5 inch	5000K	2850	20°/24°/36°	COB	Ra>80	>0.9	30W	220-240V AC 50/60Hz
	4000K	2850						
	3000K	2800						
	2700K	2800						



3inch



4inch



5inch



# Hotel Downlight Series

CL201 series



- The lamp housing is made of high quality aluminium alloy material which is treated with advanced static electricity spray process.
- The lamp offer multiple size: 2inch, 3inch, 4inch. and offer 3 different reflector: black, white, silver, suitable for all kinds of decoration styles.
- Reliable COB light source, no UV, no infrared radiation
- External driver make sure low heat, good performance with long lifetime. Also easy for replacement.

## 3-optical design

LED is positioned in the deepest part of this lamp. The reflector is optically curved by using our unique three-optical design, which minimizes the loss of device's efficiency and controls irregular reflection from its inner surface, to reach an accent, uniform, clean and comfortable CL201 series lighting.

1st optical cup, control the beam angle

2nd soft light film, filter stray light

3rd reflector, cut off and control diffuse light



## Modular design

You can change the type of mounting ring, reflector and optical cup according to the decoration style.



### LED moduler.

High efficiency cob moduler, 2 sizes option, 2 optical caps option



24°



36°

### LED mounting ring.

you can choose ceiling installation or embedded installation.



embedded installation



ceiling installation

### LED reflector.

offer gun black, silver and golden reflector, and gun black can absorbs diffuse reflected lighting, enhances Anti-glare effect, reach a "feel lighting but no lamps" when under the ceiling.



Gun black



Silver



Golden

## Anti-glare design

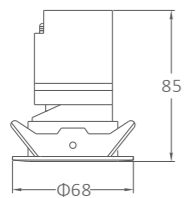
>40 degrees Anti-glare design, create a comfortable lighting environment atmosphere.



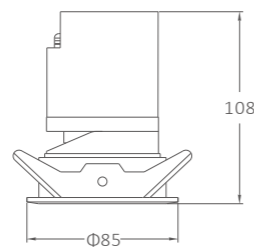
## Parameters CE for EU



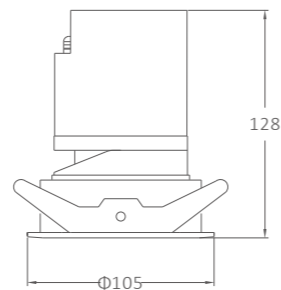
Product size	CCT	Lumen(lm)	Beam angle(°)	LEDs type	CRI	PF	Power(W)	Voltage
2 inch	5000K	350	24°/36°	COB	Ra>90	>0.85	7W	220-240V AC 50/60Hz
	4000K	350						
	3000K	350						
	2700K	350						
3 inch	5000K	950	24°/36°	COB	Ra>90	>0.85	15W	220-240V AC 50/60Hz
	4000K	950						
	3000K	950						
	2700K	950						
4 inch	5000K	1350	24°/36°	COB	Ra>90	>0.85	20W	220-240V AC 50/60Hz
	4000K	1350						
	3000K	1350						
	2700K	1350						



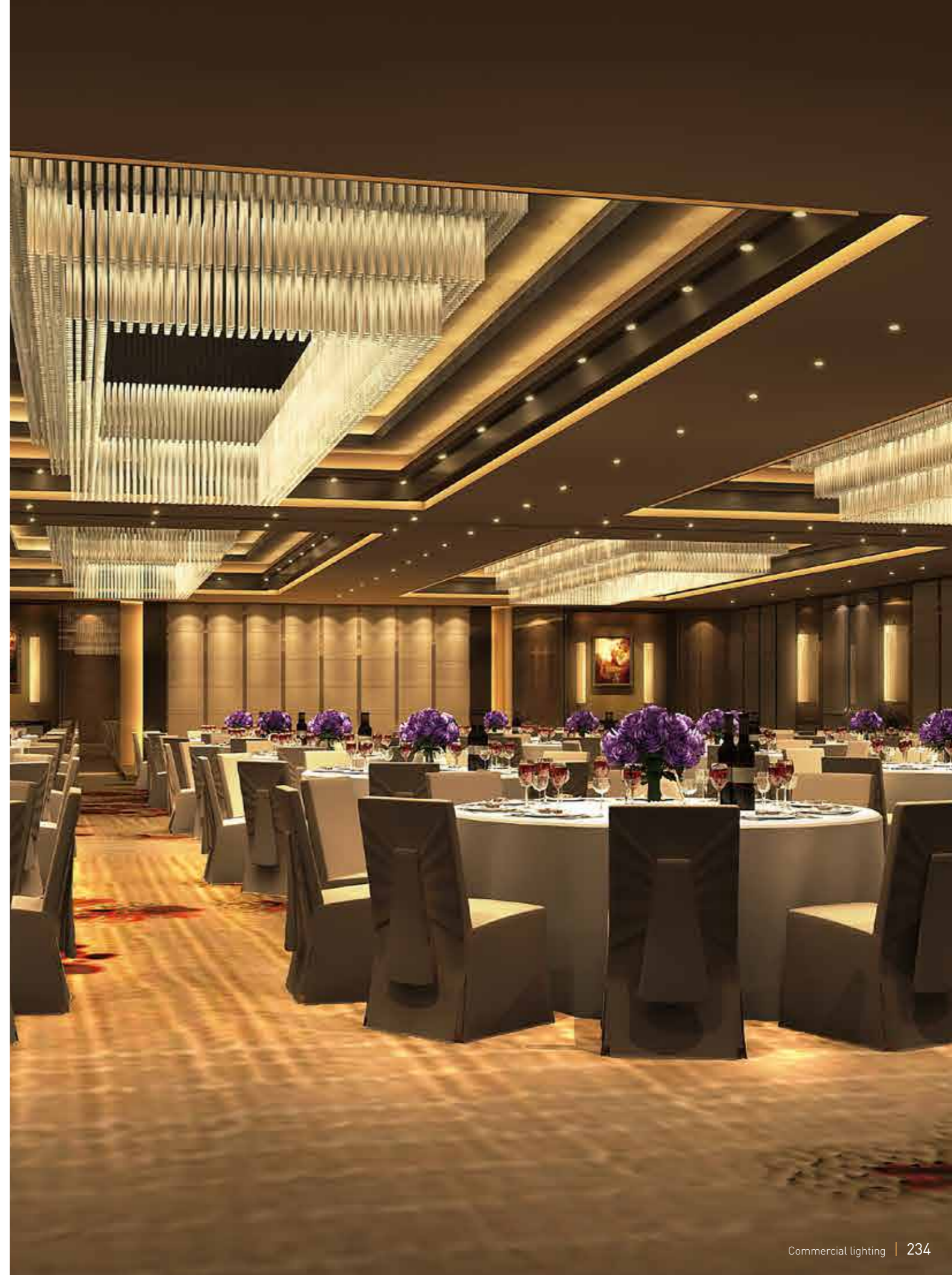
2inch



3inch



4inch



# Hotel Downlight Series

CL301 series



- The lamp housing is made of high quality aluminium alloy material which is treated with advanced static electricity spray process.
- The lamp offer multiple size: 2inch, 3inch, 4inch. And offer 3 different reflector: black, white, silver, suitable for all kinds of decoration styles.
- Reliable COB light source, no UV, no infrared radiation
- External driver make sure low heat, good performance with long lifetime. Also easy for replacement.

## 3-optical design

LED is positioned in the deepest part of this lamp, the reflector is optically curved by using our unique three-optical design, it's minimize the loss of device's efficiency and controls irregular reflection from its inner surface, to reach an accent, uniform, clean and comfortable lighting.

1st optical cup, control the beam angle



2nd soft light film, filter stray light



3rd reflector, cut off and control diffuse light



## Modular design

You can change the type of mounting ring, reflector and optical cup according the decoration style.



### LED moduler.

High efficiency cob moduler, 2 sizes option, 2 optical caps option



24°



36°



### LED mounting ring.

you can choose ceiling installation or embedded installation.



embedded installation



ceiling installation

### LED reflector.

offer gun black, silver and golden reflector, and gun black can absorbs diffuse reflected lighting, enhances anti-glare effect, reach a "feel lighting but no lamps" when under the ceiling.



Gun black



Silver



Golden

## Anti-glare design

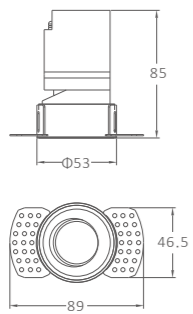
>40 degrees Anti-glare design, create a comfortable lighting environment atmosphere.



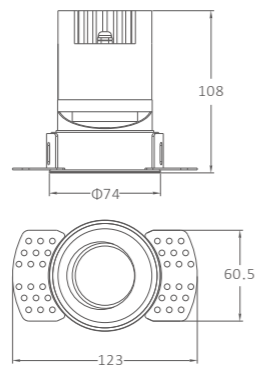
## Parameters CE for EU



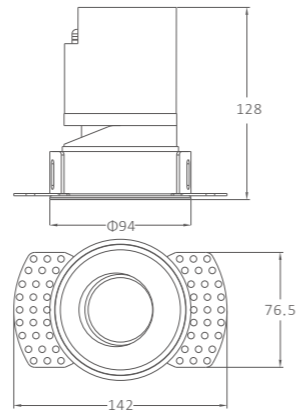
Product size	CCT	Lumen(lm)	Beam angle(°)	LEDs type	CRI	PF	Power(W)	Voltage
2 inch	5000K	350	24°/36°	COB	Ra > 90	> 0.85	7W	220-240V AC 50/60Hz
	4000K	350						
	3000K	350						
	2700K	350						
3 inch	5000K	950	24°/36°	COB	Ra > 90	> 0.85	15W	220-240V AC 50/60Hz
	4000K	950						
	3000K	950						
	2700K	950						
4 inch	5000K	1350	24°/36°	COB	Ra > 90	> 0.85	20W	220-240V AC 50/60Hz
	4000K	1350						
	3000K	1350						
	2700K	1350						



2inch



3inch



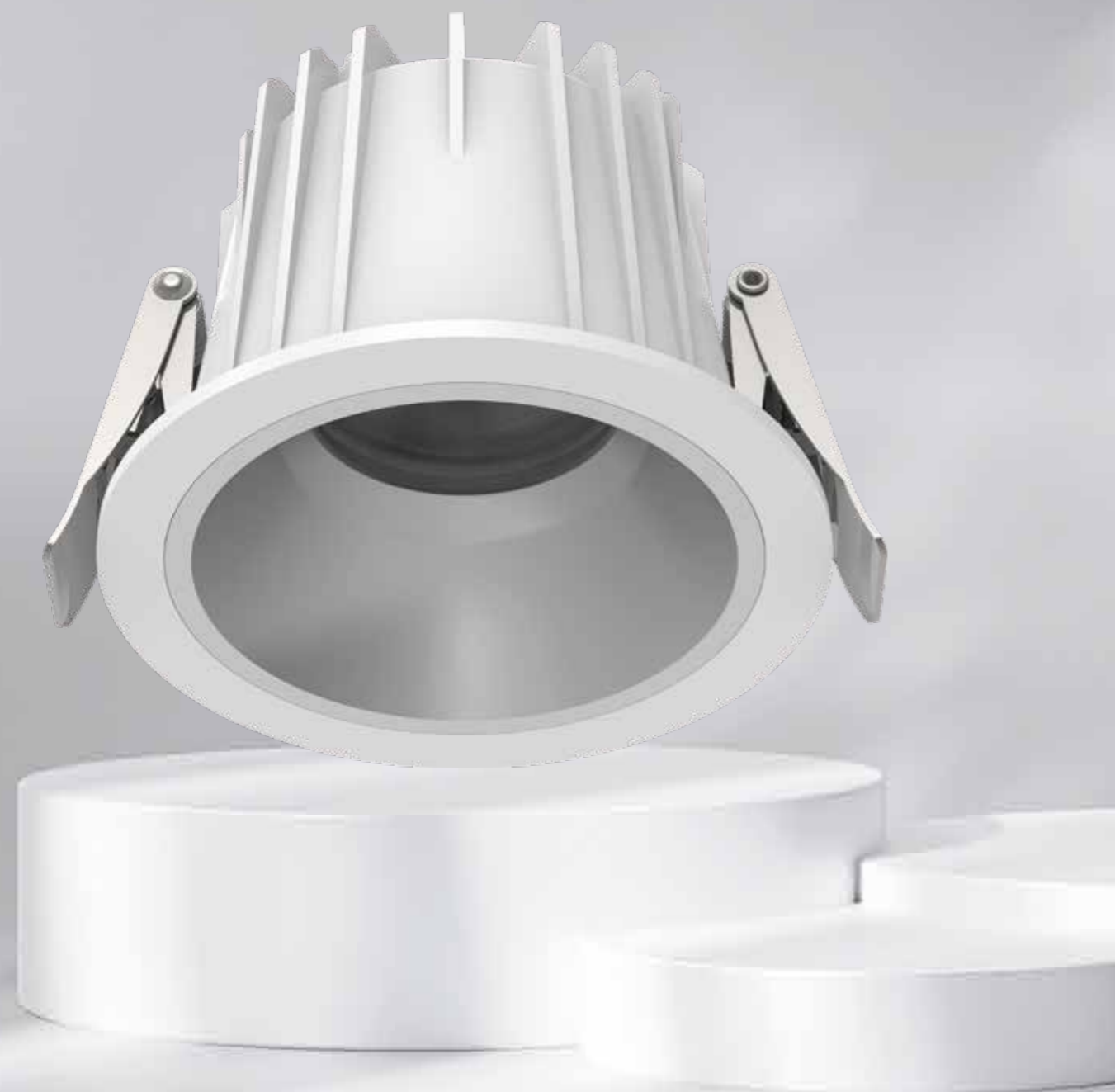
4inch





# COB LED downlight

DL105 series



## Unique structure

Unique structure ensure optimal cooling effect and light effect.

## Aluminum alloy housing

Adopt aluminum alloy as material, die-casting process, high-end and gorgeous.



**UGR<10**

## Secondary optical design

PC lens, with secondary optical design, the reject with metal luster to improve light effect and uniformity.

## Significant energy-saving

Significant energy-saving, flexible color difference control system, ensure single persistence of light and color.



## IP54 waterproof grade

IP54 waterproof grade, applicable to humid environment.

## Parameters CE for EU



Product size	CCT	Lumen(lm)	Beam angle(°)	LEDs type	CRI	PF	Power(W)	Voltage
3 inch	5000K	992	24°/50°	COB	Ra>90	>0.9	9W	220-240V AC 50/60Hz
	4000K	958						
	3000K	916						
4 inch	5000K	1130	24°/50°	COB	Ra>90	>0.9	15W	220-240V AC 50/60Hz
	4000K	1399						
	3000K	992						
5 inch	5000K	2646	24°/50°	COB	Ra>90	>0.9	24W	220-240V AC 50/60Hz
	4000K	2616						
	3000K	2646						
6 inch	5000K	3643	24°/50°	COB	Ra>90	>0.9	35W	220-240V AC 50/60Hz
	4000K	4000						
	3000K	3625						
7 inch	5000K	4411	24°/50°	COB	Ra>90	>0.9	45W	220-240V AC 50/60Hz
	4000K	4372						
	3000K	4372						

## Color of reflector cup is optional

The reflective cup adopts vacuum plating process, with 5 colors available, and easy replacement.



Bright black



Sand silver



White



Silver



Gun black

## Package

Product size	Inner size	Carton size	Pack Quantity	Net weight	Gross weight
3 inch	118*118*78mm	369*487*175mm	1 PC/inner box 27 inner boxes/carton	0.26 kg	7.02 kg
4 inch	132*132*93mm	415*415*205mm	1 PC/inner box 27 inner boxes/carton	0.29 kg	7.83 kg
5 inch	159*159*110mm	435*435*345mm	1 PC/inner box 27 inner boxes/carton	0.48 kg	12.96 kg
6 inch	185*185*126mm	575*575*395mm	1 PC/inner box 27 inner boxes/carton	0.66 kg	17.82 kg
7 inch	215*215*130mm	670*670*420mm	1 PC/inner box 27 inner boxes/carton	0.88 kg	23.76 kg

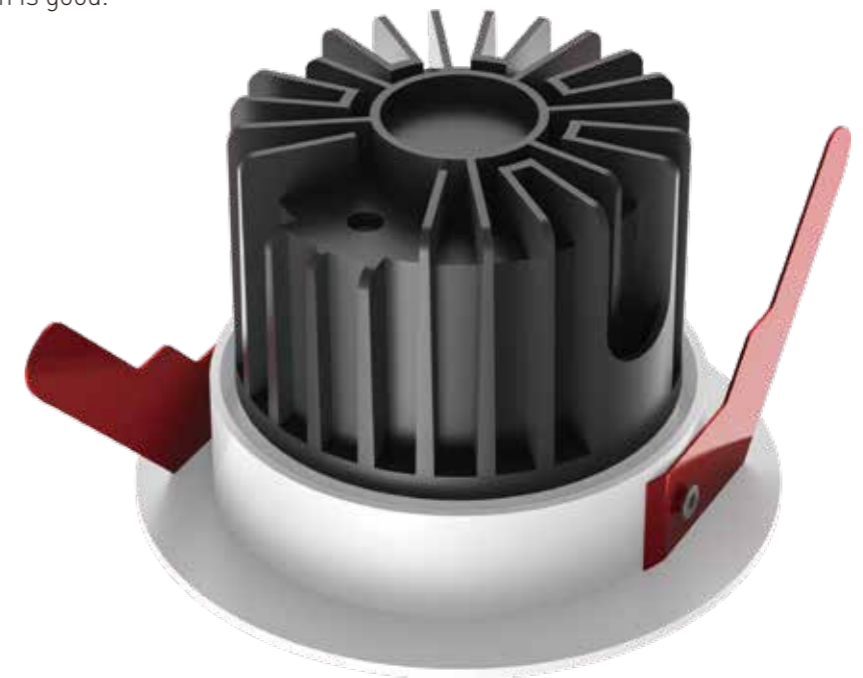
# IP64 waterproof downlight

CL103 series



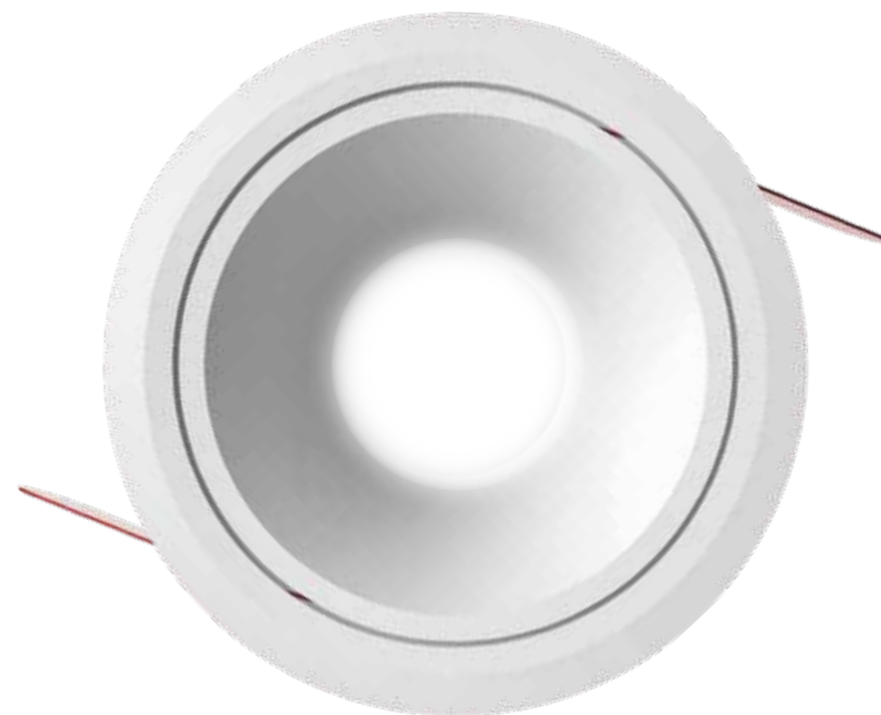
## Aluminum alloy material

Adopt aluminum alloy as material, Casting process, heat dissipation is good.



## Uniform light

PC diffuser mask is adopted to give uniform light.



## Deep anti-glare design

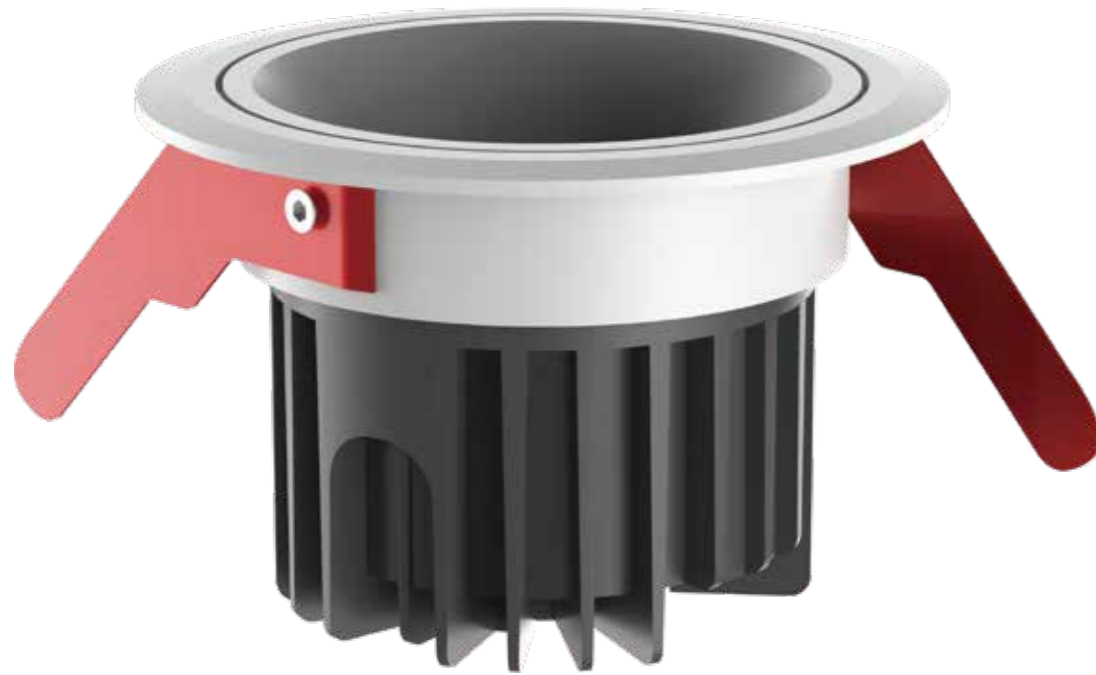
Professional lens design, high transmittance, small light loss, anti-glare light.

## Angle rotatable

Rotatable lighting angle, small light loss, large illumination area.

## IP64 water-proof

Suitable for bathrooms, eaves, swimming pools, bathhouses and other water-related areas.

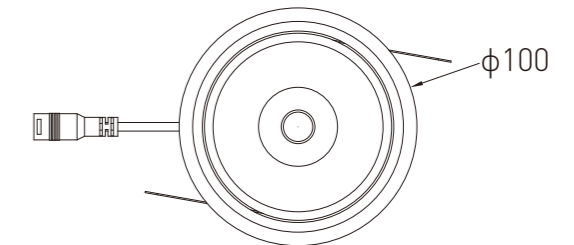
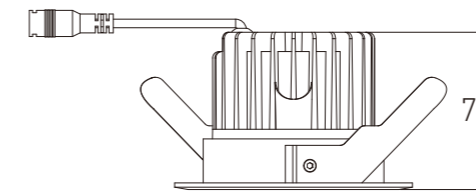
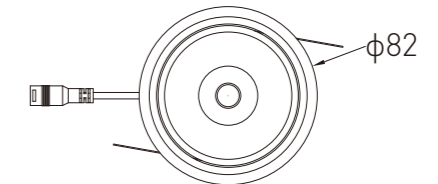
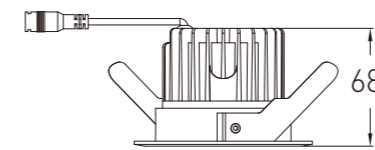


## Parameters CE for EU



Product size	CCT	Lumen(lm)	Beam angle(°)	LEDs type	CRI	PF	Power(W)	Voltage
3 inch	5000K	624	24°/38°	COB	Ra>90	>0.9	7W	220-240V AC 50/60Hz
	4000K	635						
	3000K	554						
4 inch	5000K	1559	24°/38°	COB	Ra>90	>0.9	15W	220-240V AC 50/60Hz
	4000K	1397						
	3000K	1444						

Unit: mm



3inch

4inch

## Package

Product size	Inner size	Carton size	Pack Quantity	Net weight	Gross weight
3 inch	120*120*90mm	505*505*300mm	1 PC/inner box 48 inner boxes/carton	0.34 kg	20 kg
4 inch	120*120*120mm	505*505*390mm	1 PC/inner box 48 inner boxes/carton	0.50 kg	28 kg

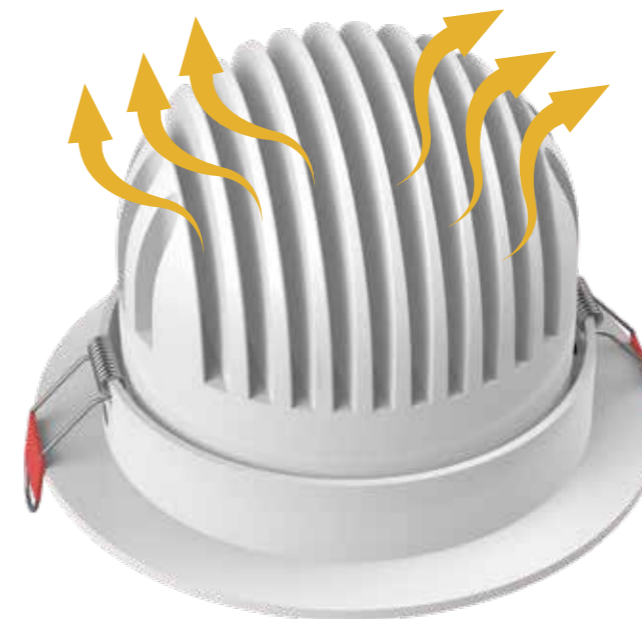
# Novel appearance downlight

CL104 series



## Good heat dissipation

Adopt aluminum alloy as material, Casting process, heat dissipation is good.



## Uniform light

PC diffuser mask is adopted to give uniform light.



## Angle rotatable

Rotatable lighting angle, small light loss, large illumination area.



## Unique shape

Unique and delicate looking design.

## Beam angle optional

Beam angle optional, 15°, 24°, 38°, suitable for living rooms, corridors, shopping malls, entertainment, etc.

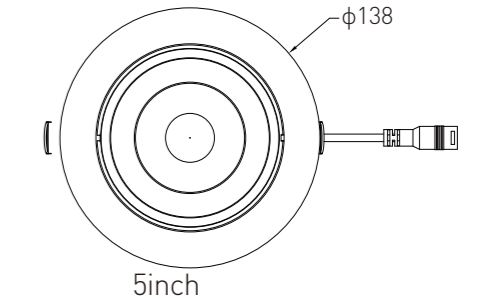
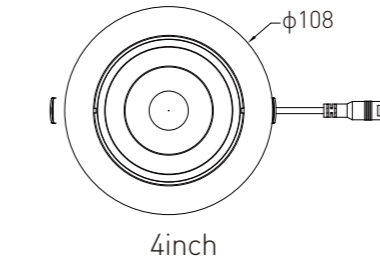
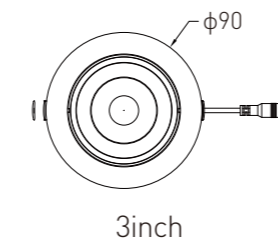
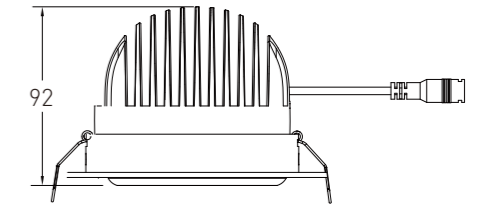
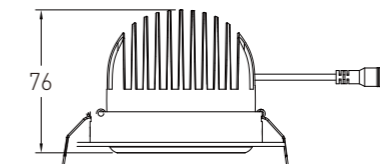
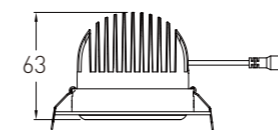


## Parameters CE for EU



Product size	CCT	Lumen(lm)	Beam angle(°)	LEDs type	CRI	PF	Power(W)	Voltage
3 inch	5000K	378	15°/24°/38°	COB	Ra>90	>0.9	5W	220-240V AC 50/60Hz
	4000K	374						
	3000K	353						
4 inch	5000K	1064	15°/24°/38°	COB	Ra>90	>0.9	12W	220-240V AC 50/60Hz
	4000K	1053						
	3000K	1130						
5 inch	5000K	2614	15°/24°/38°	COB	Ra>90	>0.9	24W	220-240V AC 50/60Hz
	4000K	2604						
	3000K	2614						

Unit: mm



## Package

Product size	Inner size	Carton size	Pack Quantity	Net weight	Gross weight
3 inch	105*105*110mm	545*445*470mm	1 PC/inner box 64 inner boxes/carton	0.30 kg	23 kg
4 inch	120*120*120mm	505*505*385mm	1 PC/inner box 48 inner boxes/carton	0.45 kg	25 kg
5 inch	150*150*100mm	475*475*325mm	1 PC/inner box 27 inner boxes/carton	0.75 kg	23 kg

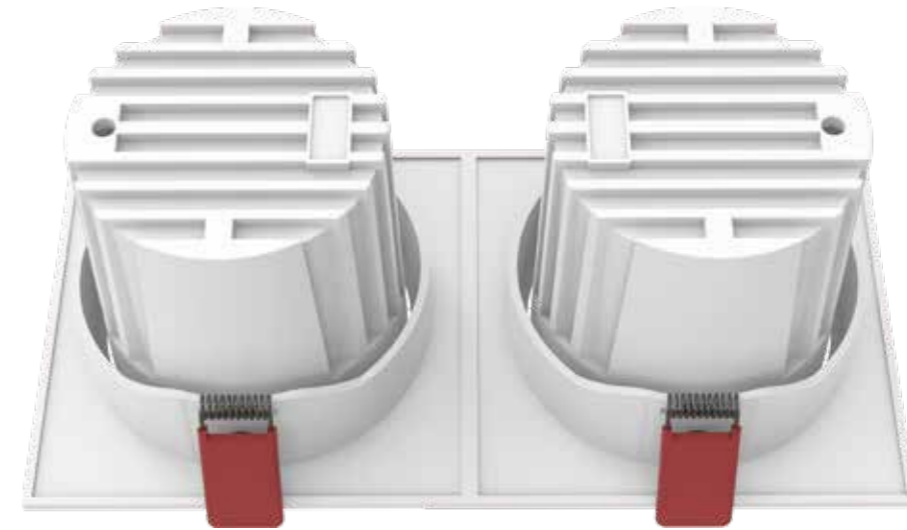
# UGR<10 downlight

CL105/106/107 series



## Die casting process

Adopt aluminum alloy as material, casting process. The heat sink and surface cover are formed independently.



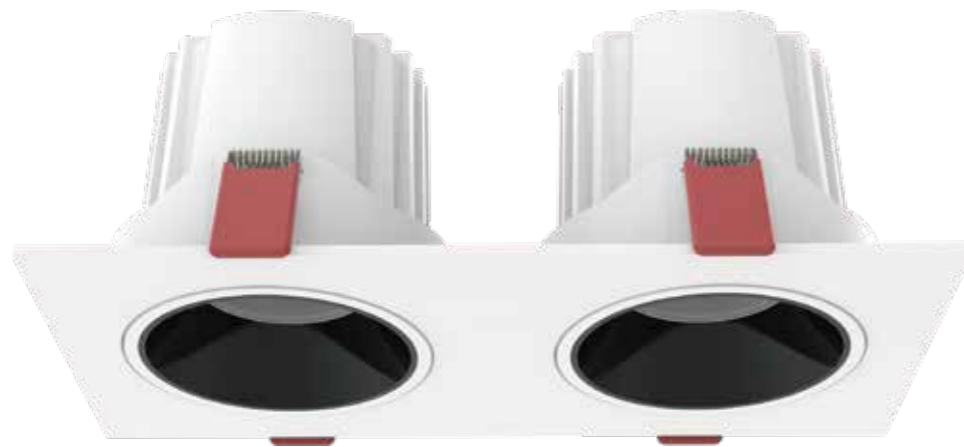
## PC diffuser mask

PC diffuser mask is adopted to give uniform light. It is suitable for various anti-glare places.



## Deep anti-glare design, UGR<10

Double reflective cups, can be used for deep anti-glare + honeycomb mesh anti-glare double-layer treatment.



## Snap fit installation

The lamp is snap-fitted for faster installation.

## Optional reflection cup colors

Optional reflection cup colors (bright white, gun black, bright black), suitable for different needs.



Gun black



Bright white



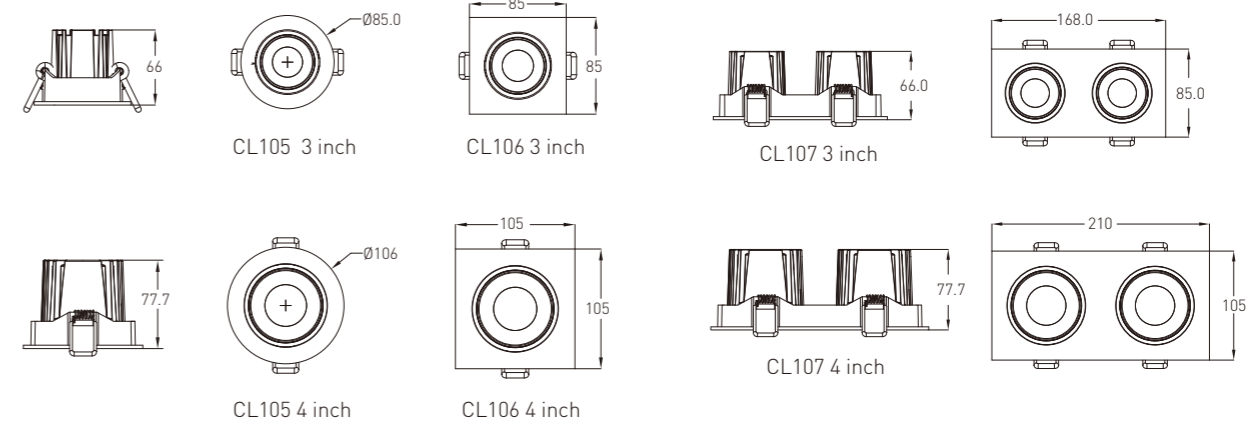
Bright black

## Parameters CE for EU



Product size	CCT	Lumen(lm)	Beam angle(°)	LEDs type	CRI	PF	Power(W)	Voltage
CL105 series 3 inch	5000K	979	15°/24°/36°	COB	Ra>90	>0.9	10W	220-240V AC 50/60Hz
	4000K	971						
	3000K	946						
CL105 series 4 inch	5000K	1293	15°/24°/36°	COB	Ra>90	>0.9	15W	220-240V AC 50/60Hz
	4000K	1275						
	3000K	1220						
CL106 series 3 inch	5000K	989	15°/24°/36°	COB	Ra>90	>0.9	10W	220-240V AC 50/60Hz
	4000K	970						
	3000K	925						
CL106 series 4 inch	5000K	1263	15°/24°/36°	COB	Ra>90	>0.9	15W	220-240V AC 50/60Hz
	4000K	1228						
	3000K	1165						
CL107 series 3 inch	5000K	1857	15°/24°/36°	COB	Ra>90	>0.9	20W	220-240V AC 50/60Hz
	4000K	1860						
	3000K	1762						
CL107 series 4 inch	5000K	2054	15°/24°/36°	COB	Ra>90	>0.9	25W	220-240V AC 50/60Hz
	4000K	2057						
	3000K	1839						

Unit: mm





# Narrow frame downlight

CL108 series



## Die casting process

Adopt aluminum alloy as material, casting process. The heat sink and surface cover are formed independently.



## Triple optical design

Professional optical lens, combined with reflection cup for three times of optical reflection, more uniform light.



## Snap fit installation

The lamp is snap-fitted for faster installation.



## Optional reflection cup colors

Optional reflection cup colors, suitable for different needs.

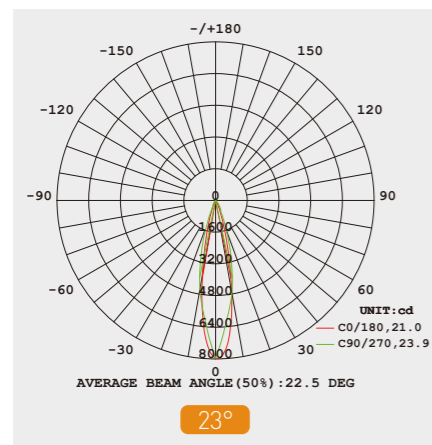


Black

White

## Three beam angles

Three beam angles: 10° / 23° / 36° for optional.



## Parameters CE for EU

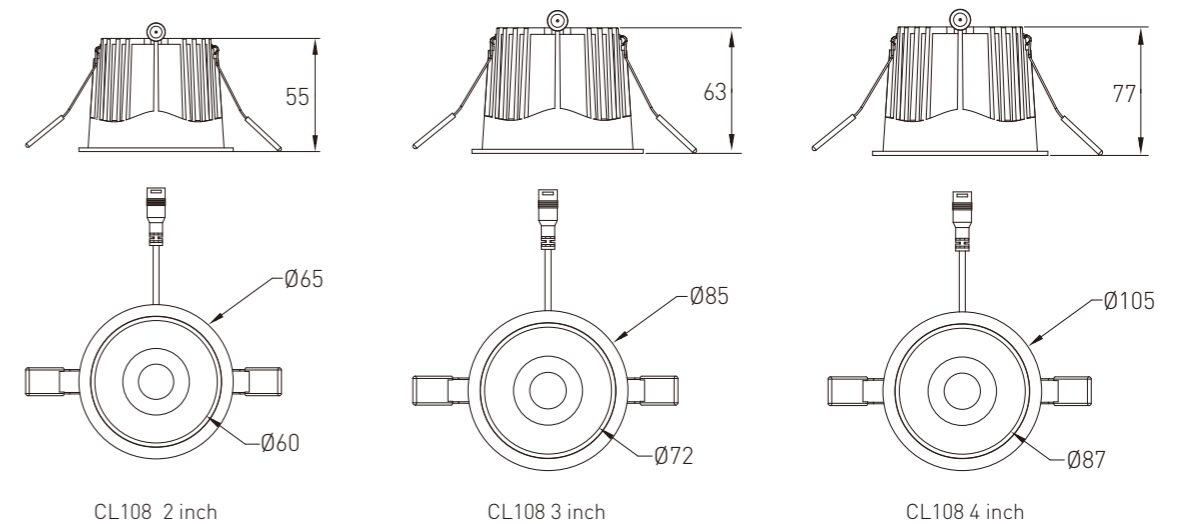


Product size	CCT	Lumen(lm)	Beam angle(°)	LEDs type	CRI	PF	Power(W)	Voltage
CL108 series 2 inch	6000K	437	10°/23°/36°	COB	Ra>90	>0.9	7W	220-240V AC 50/60Hz
	4000K	454						
	3000K	442						
CL108 series 3 inch	6000K	1122	10°/23°/36°	COB	Ra>90	>0.9	12W	220-240V AC 50/60Hz
	4000K	1007						
	3000K	1122						
CL108 series 4 inch	6000K	1621	10°/23°/36°	COB	Ra>90	>0.9	18W	220-240V AC 50/60Hz
	4000K	1604						
	3000K	1535						

## Package

Product size	Inner size	Carton size	Pack Quantity	Net weight	Gross weight
2 inch	135*100*80mm	565*525*430mm	1 PC/inner box 100 inner boxes/carton	0.20 kg	24.0 kg
3 inch	135*100*80mm	505*505*390mm	1 PC/inner box 64 inner boxes/carton	0.33 kg	25.5 kg
4 inch	120*120*120mm	505*380*390mm	1 PC/inner box 36 inner boxes/carton	0.52 kg	22.0 kg

Unit: mm



CL108 2 inch

CL108 3 inch

CL108 4 inch

# IP65 waterproof downlight

DL107 series



## IP65 Waterproof

IP65 waterproof structure, you can install it to most wet location, like outdoor corridor, bathroom, ceiling of pool, saunas, etc.

## Good heat dissipation

With aluminum alloy body, led feet temperature lower than 80° and improving the lamp service life.

## UGR<19

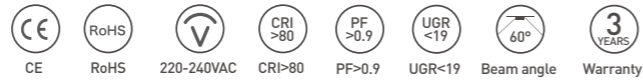
Anti-glare design to efficiently reduce glare and create comfortable lighting environment.

## 3 seconds disassembly

Separate design of power supply and lamp body, easy disassembly and replace without any tools

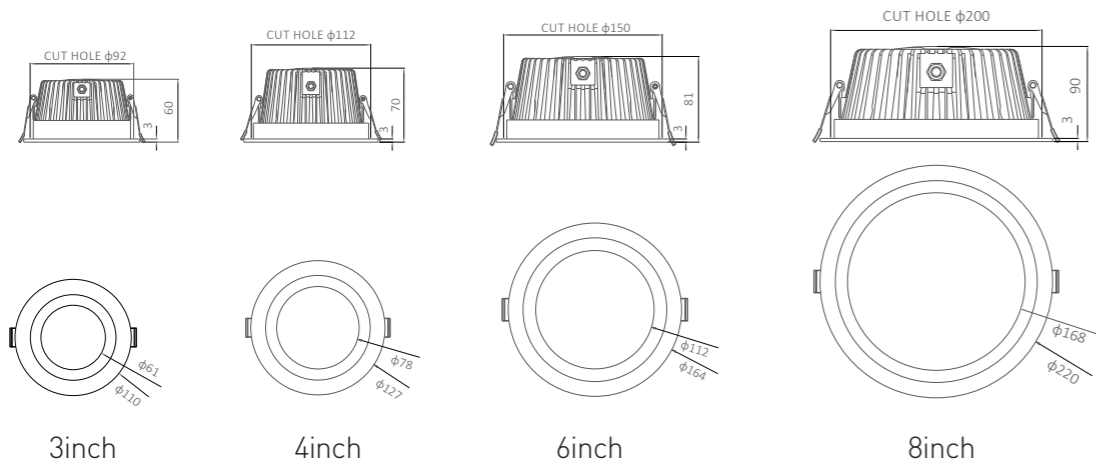


# Parameters CE for EU



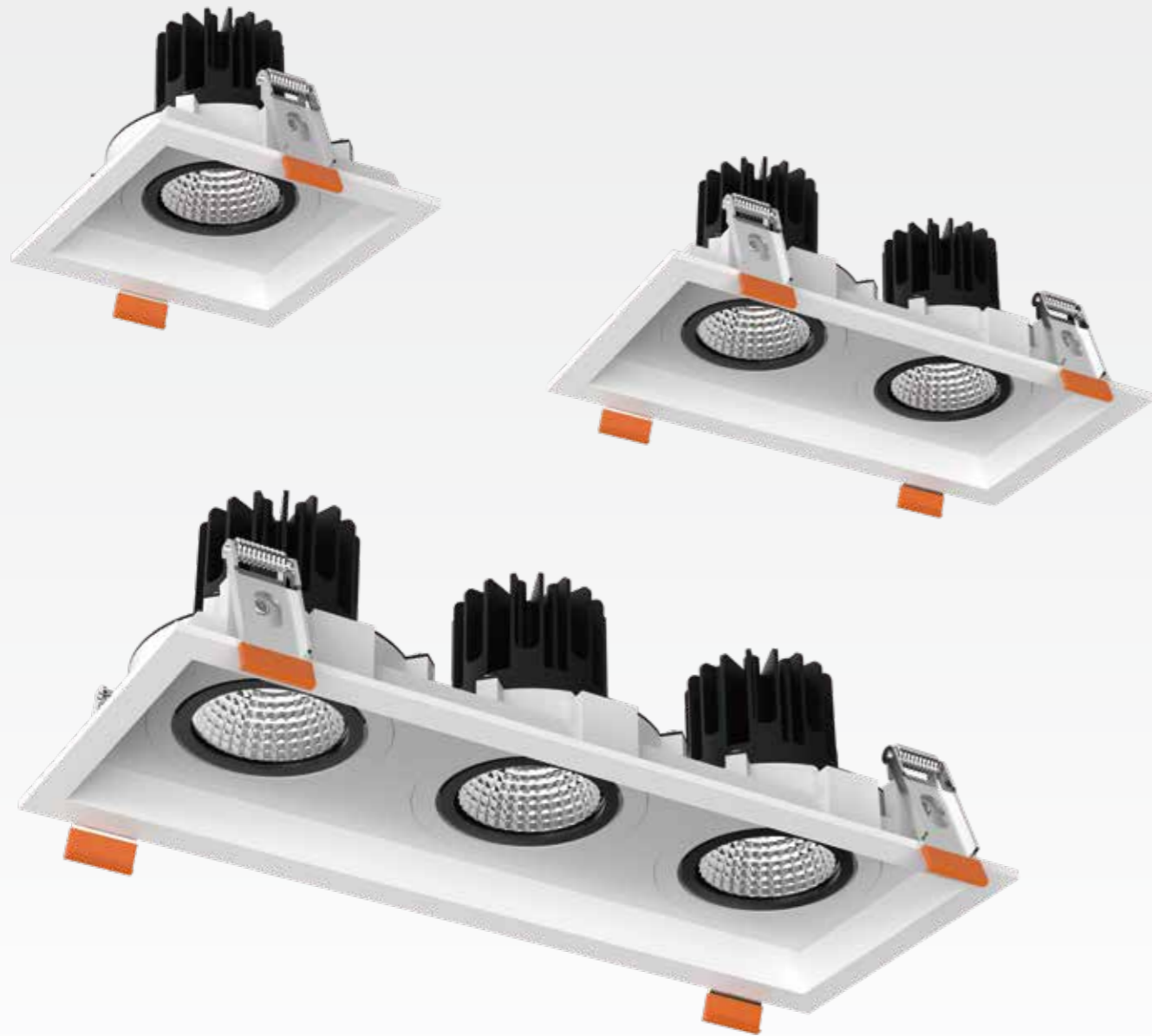
Product size	CCT	Lumen(lm)	Beam angle(°)	LEDs type	CRI	PF	Power(W)	Voltage
3 inch	5000K	1420	60°	COB	Ra>80	>0.9	15W	220-240V AC 50/60Hz
	4000K	1360						
	3000K	1260						
4 inch	5000K	1840	60°	COB	Ra>80	>0.9	20W	220-240V AC 50/60Hz
	4000K	1820						
	3000K	1800						
6 inch	5000K	2920	60°	COB	Ra>80	>0.9	30W	220-240V AC 50/60Hz
	4000K	3100						
	3000K	2740						
8 inch	5000K	4060	60°	COB	Ra>80	>0.9	40W	220-240V AC 50/60Hz
	4000K	4210						
	3000K	3790						

Unit: mm



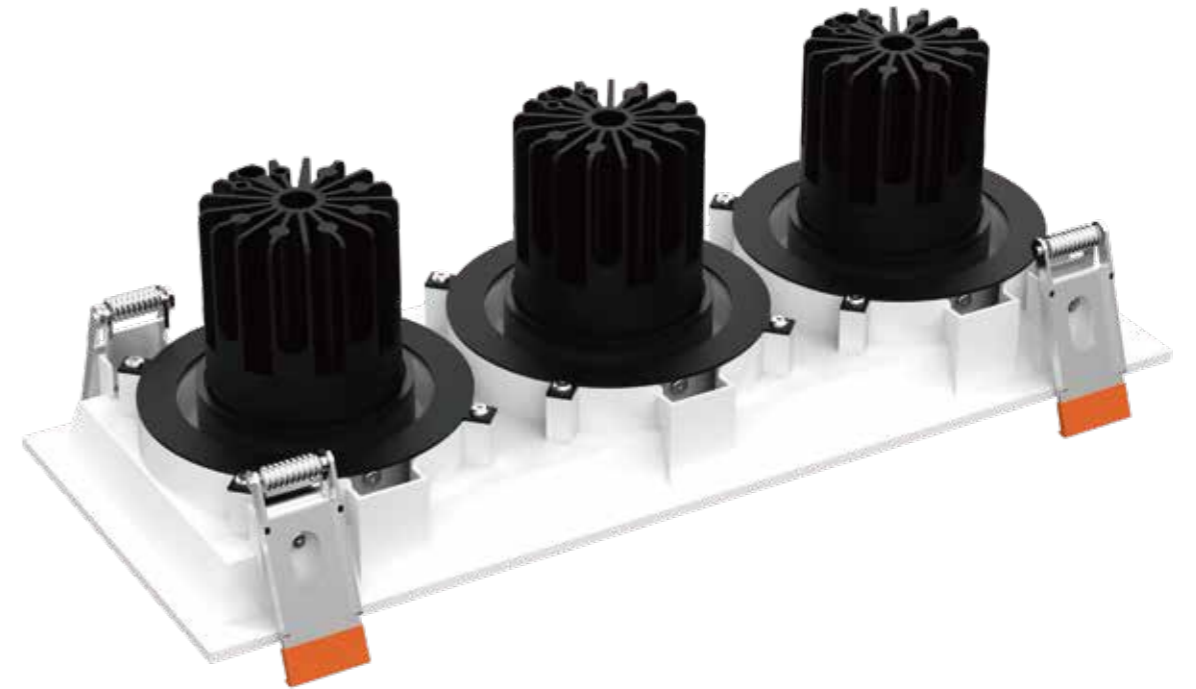
# LED Grill Light

- Adopt spinning aluminum as heat sink.
- Unique and delicate looking design.
- Excellent heat dissipation performance to ensure the long lifetime of LED.
- Built-in driver integrate light as a whole.
- High-efficient and energy-saving LED driver.



## Good heat dissipation

Excellent heat dissipation performance to ensure the long lifetime of LED.

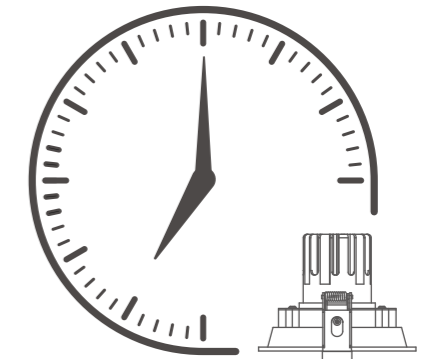


## Long Lifetime

Excellent thermal management to ensure long lifetime of LED.

**50000**

hours



# Parameters CE for EU



## 10W Series

Product name	CCT	Lumen(lm)	Beam angle(°)	LEDs type	CRI	PF	Power(W)	Voltage
10W Series	5000K	1000	15°/24°/36°	COB	Ra>90	>0.9	10W	220-240V AC 50/60Hz
	4000K	1042						
	3000K	950						
10W Series	5000K	2000	15°/24°/36°	COB	Ra>90	>0.9	20W	220-240V AC 50/60Hz
	4000K	2133						
	3000K	2090						
10W Series	5000K	3034	15°/24°/36°	COB	Ra>90	>0.9	30W	220-240V AC 50/60Hz
	4000K	3108						
	3000K	2885						

## 20W Series

Product name	CCT	Lumen(lm)	Beam angle(°)	LEDs type	CRI	PF	Power(W)	Voltage
20W Series	5000K	1950	15°/24°/36°	COB	Ra>90	>0.9	20W	220-240V AC 50/60Hz
	4000K	2025						
	3000K	1900						
20W Series	5000K	3800	15°/24°/36°	COB	Ra>90	>0.9	40W	220-240V AC 50/60Hz
	4000K	3839						
	3000K	3700						
20W Series	5000K	5800	15°/24°/36°	COB	Ra>90	>0.9	60W	220-240V AC 50/60Hz
	4000K	6000						
	3000K	5700						

## 30W Series

Product name	CCT	Lumen(lm)	Beam angle(°)	LEDs type	CRI	PF	Power(W)	Voltage
30W Series	5000K	3480	15°/24°/36°	COB	Ra>90	>0.9	30W	220-240V AC 50/60Hz
	4000K	3588						
	3000K	3400						
30W Series	5000K	6580	15°/24°/36°	COB	Ra>90	>0.9	60W	220-240V AC 50/60Hz
	4000K	6647						
	3000K	6500						
30W Series	5000K	9700	15°/24°/36°	COB	Ra>90	>0.9	90W	220-240V AC 50/60Hz
	4000K	10248						
	3000K	9500						

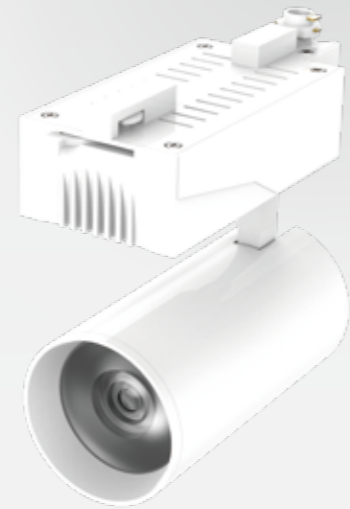


# LED Track Light

LED Track Light, as its name, is installed on track. As its adjustable beam angle, it is mainly applied in commercial places needing accent lighting, such as shopping mall (clothing store, furniture store and other brand shops), car showroom, jewelry, stars hotel, brand clothing, upscale club, culture relics exhibition hall, chain store, brand business hall, professional cabinet, counter and other accent lighting places.



TL102



TL301

## Good heat dissipation

High efficient heat dissipation.



## Movable track

Movable track, convenient to adjust its places for different lighting purposes.

## High transmittance

High transmittance, uniform luminous surface, no dark spot, non grainy;

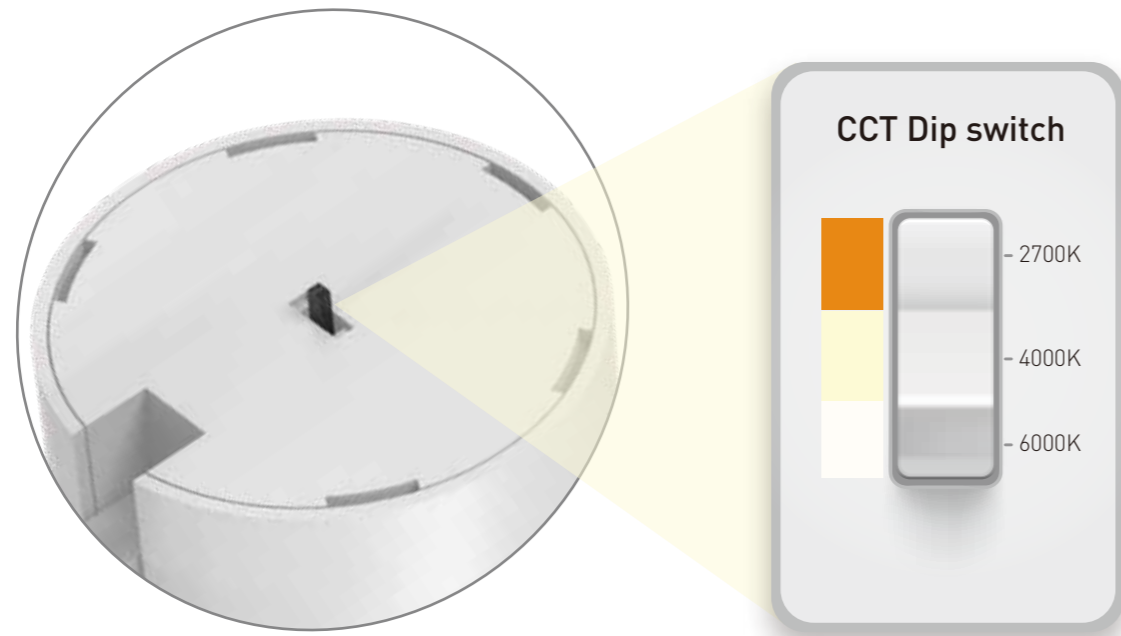
## Good color rendering performance

Can on-off frequently, no flicker and flare, good color rendering performance.

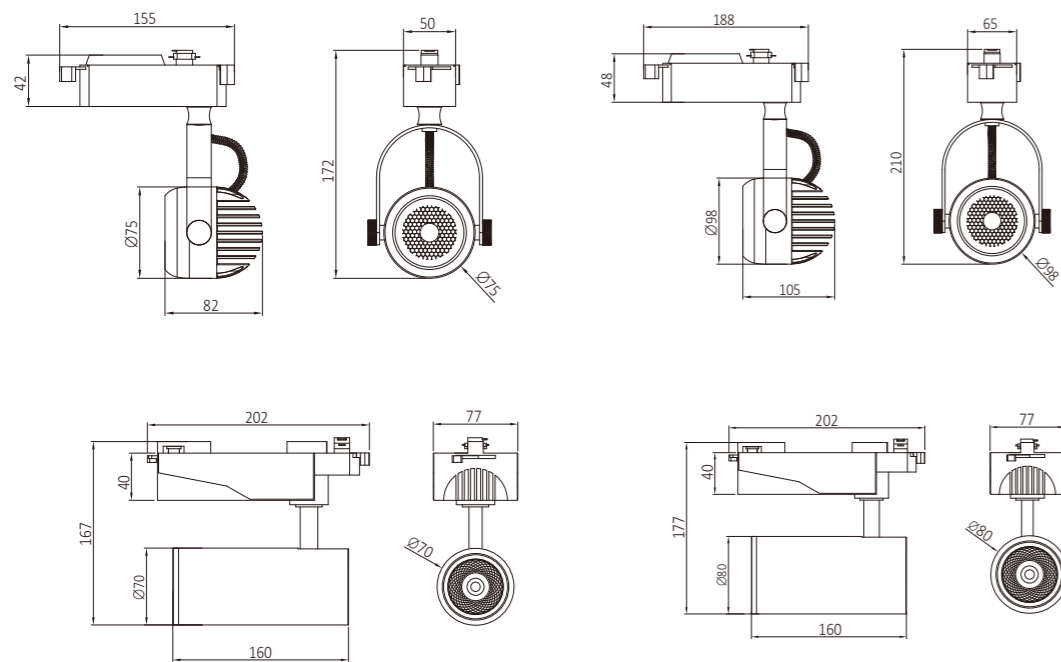


# Color tunable

Three color temperature can achieve three-stage dip switch:2700K-4000K-600K.



Unit: mm



# Parameters



Product name	CCT	Lumen(lm)	Beam angle(°)	LEDs type	CRI	PF	Power(W)	Voltage
TL301-70 series	5000K	2150	15°/24°/36°	COB	Ra>90	>0.9	25W	220-240V AC 50/60Hz
	4000K	2250						
	3000K	2050						
TL301-80 series	5000K	2450	15°/24°/36°	COB	Ra>90	>0.9	30W	220-240V AC 50/60Hz
	4000K	2562						
	3000K	2380						
TL301-90 series	5000K	3080	15°/24°/36°	COB	Ra>90	>0.9	35W	220-240V AC 50/60Hz
	4000K	3125						
	3000K	3000						
TL301-70 3CCT series	6000K	2150	15°/24°/36°	COB	Ra>90	>0.9	25W	220-240V AC 50/60Hz
	4000K	2250						
	2700K	2050						
TL301-80 3CCT series	6000K	2450	15°/24°/36°	COB	Ra>90	>0.9	30W	220-240V AC 50/60Hz
	4000K	2562						
	2700K	2380						
TL301-90 3CCT series	6000K	4501	15°/24°/36°	COB	Ra>90	>0.9	40W	220-240V AC 50/60Hz
	4000K	4601						
	2700K	4401						
TL102-75 series	5000K	1200	15°/24°/36°	COB	Ra>90	>0.9	15W	220-240V AC 50/60Hz
	4000K	1245						
	3000K	1150						
TL102-98 series	5000K	2250	15°/24°/36°	COB	Ra>90	>0.9	25W	220-240V AC 50/60Hz
	4000K	2310						
	3000K	2180						

# Package

Product size	Inner size	Carton size	Pack Quantity	Net weight	Gross weight
TL301	245*215*112mm	750*445*245mm	1 PC/inner box 12 inner boxes/carton	0.4 kg	10.5 kg
TL301	245*215*112mm	750*445*245mm	1 PC/inner box 12 inner boxes/carton	0.9 kg	12.0 kg
TL102	225*185*110mm	690*385*240mm	1 PC/inner box 12 inner boxes/carton	0.55 kg	7.2 kg
TL102	225*225*132mm	690*465*285mm	1 PC/inner box 12 inner boxes/carton	0.92 kg	11.4 kg





## LED Cabinet light

LED cabinet lights will add value to kitchens and any room where extra light is needed, seamlessly enliven both the beauty and the functionality of any room.

**CE** 3CCT ultra-thin series | P273-278

**ETL** 5CCT tunable series | P279-284

# LED cabinet light

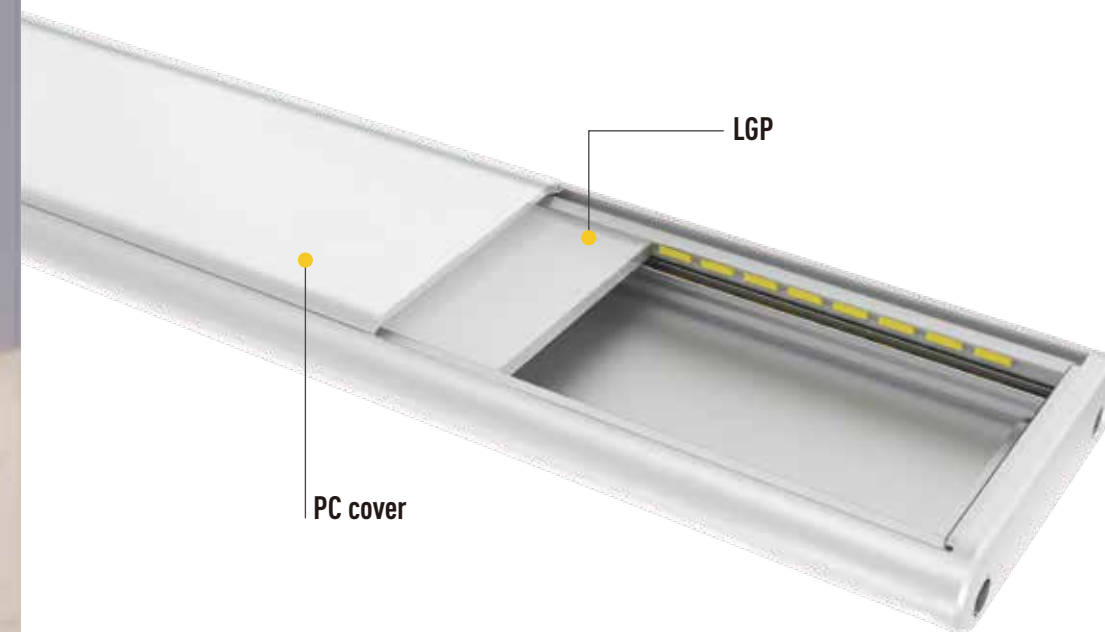
## 3CCT ultra-thin series

Ideal for cabinets, closets, basements, stairwells, indoor garages and so on.



## Soft and uniform light

High quality PC milky white diffuser, acrylic LGP, laser dotting technology, soft and uniform light, protecting eyes, no yellow, long life span.



## High quality anodized aluminum

Made of high quality anodized aluminum, sturdy and sleek, much longer lifespan than other items on market.



## 3 CCT adjustable

Warm white, natural white, and pure white can be switched easily, no flickering, protecting eyes.



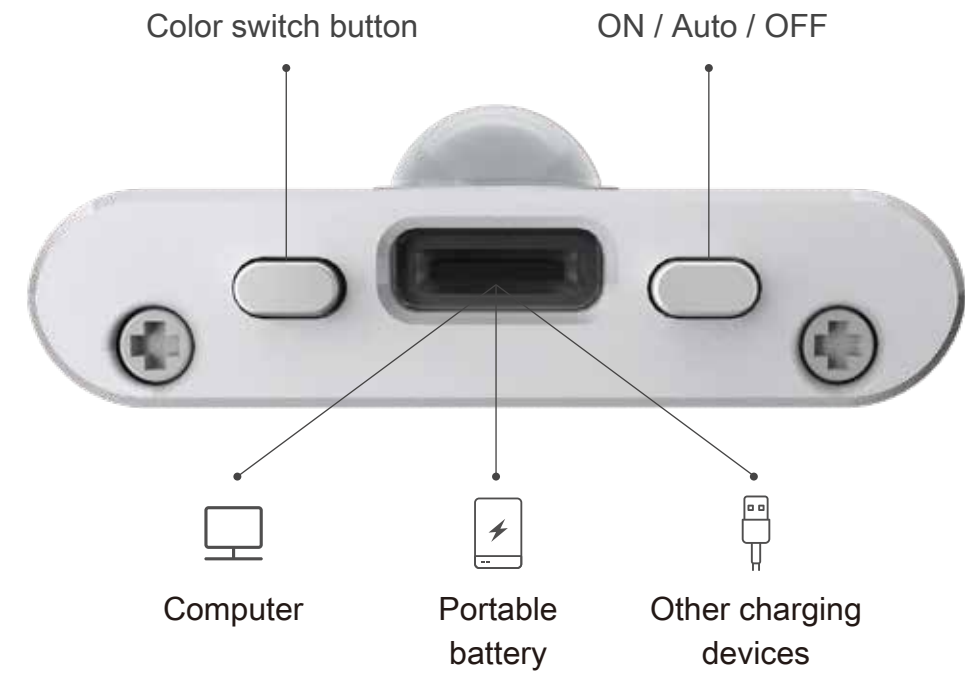
## Brightness adjustable

hand scanning version, brightness can be adjusted by hand hovering for two seconds with memory function.



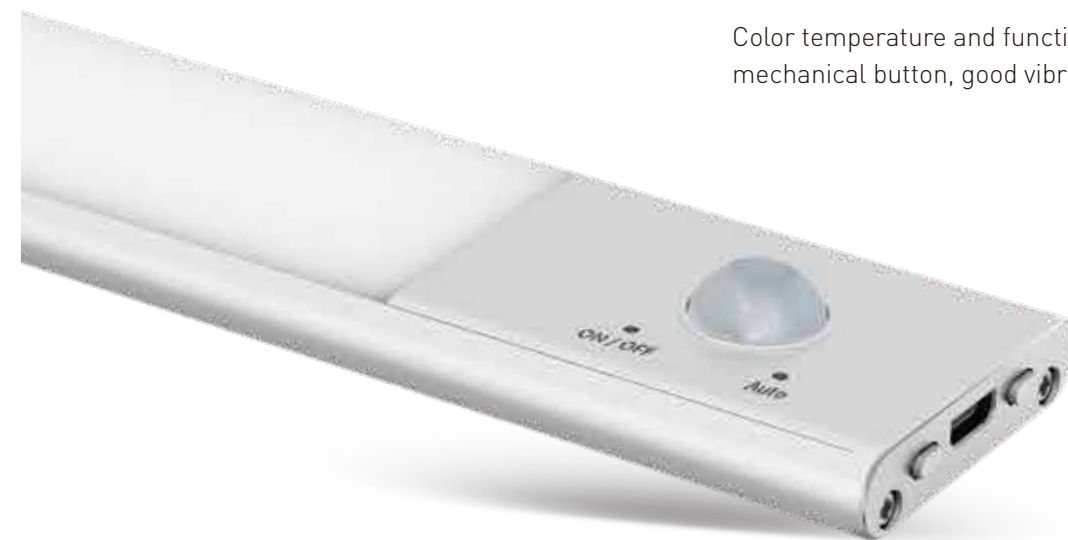
## Multi-function charging interface

Input DC5V, android USB charging port, computer, charge pal, etc.



## Good vibration & touch button

Color temperature and function buttons are made of mechanical button, good vibration and touch.



## Ultra-thin thickness

9.5MM ultra-thin thickness, equivalent to the thickness of a mobile phone.



## Two versions are available

PIR sensor version and hand scanning version are available.

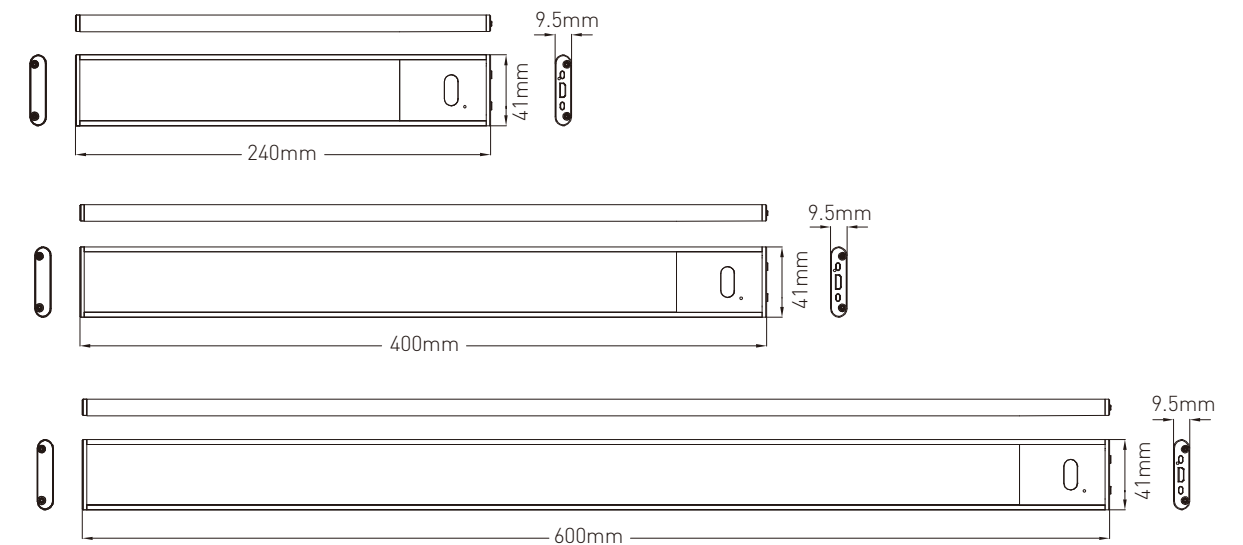


## Parameters

Length	CCT	CRI	Power	Lumen	Voltage	Current
240mm	<ul style="list-style-type: none"> <li>● Pure white</li> <li>● Natural white</li> <li>● Warm white</li> </ul>	Ra>80	1W	60lm	5V	1A
400mm	<ul style="list-style-type: none"> <li>● Pure white</li> <li>● Natural white</li> <li>● Warm white</li> </ul>	Ra>80	2W	120lm	5V	1A
600mm	<ul style="list-style-type: none"> <li>● Pure white</li> <li>● Natural white</li> <li>● Warm white</li> </ul>	Ra>80	3W	180lm	5V	1A

## Package

Length	Inner size	Carton size	Pack quantity	Net Weight	Gross Weight
240mm	275*64*31mm	445*416*345mm	1pcs/inner box 80pcs inner boxes/carton	0.11 kg	17 kg
400mm	435*64*31mm	568*286*345mm	1pcs/inner box 60pcs inner boxes/carton	0.17 kg	16.1 kg
600mm	635*350*280mm	650*350*280mm	1pcs/inner box 40pcs inner boxes/carton	0.26 kg	16.2 kg



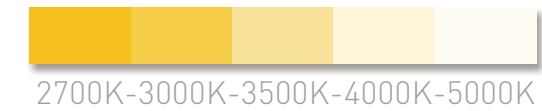
# LED cabinet light

5CCT tunable series



## 5 CCT adjustable

2700K-3000K-3500K-4000K-5000K, to meet the needs of different scenarios and save the SKU.

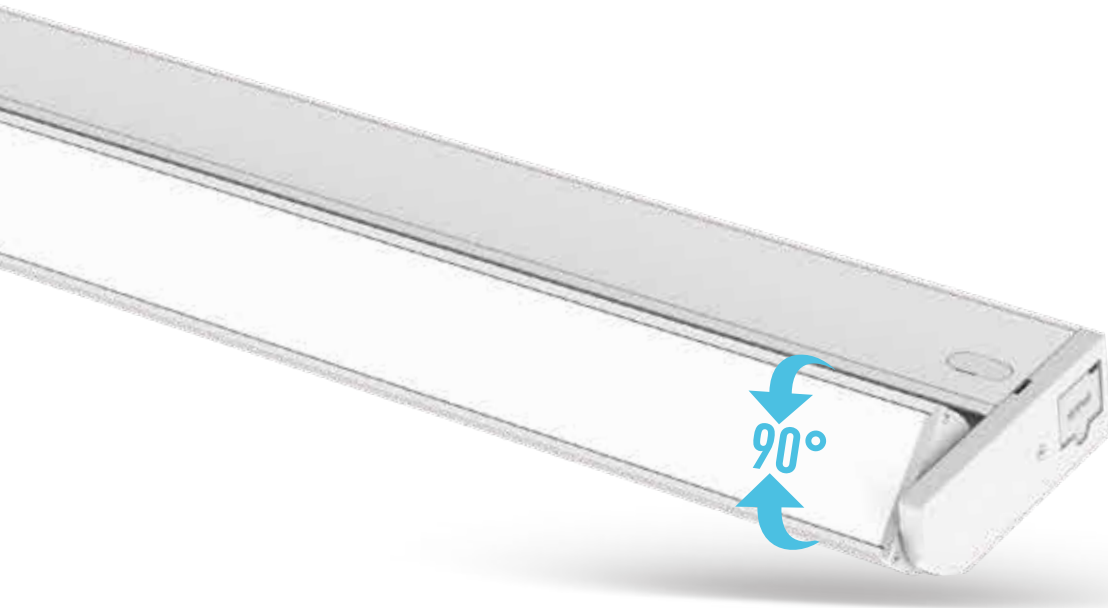


## Power adjustment

3-speed switch to control different levels of brightness, Full power, 50% power or off.

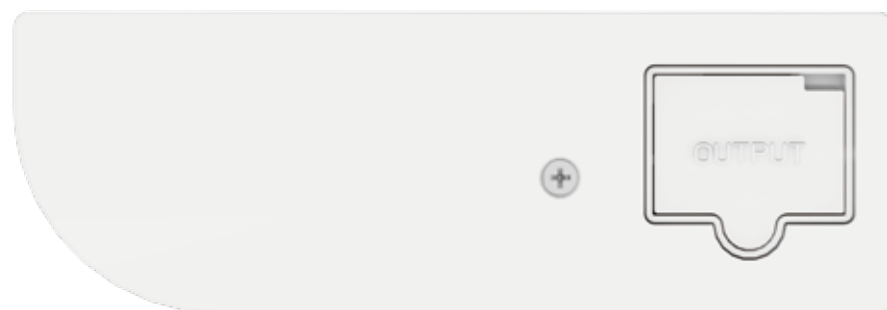
## Rotatable 90 degrees

The rotatable luminaire faces the direction that suits your space, and the maximum can be adjusted to 90 degrees.



## Protective cover design

Prevent electric shock, ensure safety.



## Splicing function

Multiple lamps can be connected together by connecting wires or connectors, the maximum power is 300W.



## Aluminum alloy shell

Good heat dissipation, ensuring the product lifetime durability.



## Push-pull protective cover

Built-in switch, transparent push-pull protective cover, dustproof, antifouling, easy to clean.



## Compatible with most dimmers

Ensuring the product lifetime durability, dimmable with most wall/box dimmers.



## Parameters



Length	CCT	Lumen	Power	LED type	CRI	Voltage	PF
12inch	<ul style="list-style-type: none"> <li>● 5000K</li> <li>● 4000K</li> <li>● 3500K</li> <li>● 3000K</li> <li>● 2700K</li> </ul>	450lm	8W	SMD2835	Ra>90	AC120V 60Hz	>0.9
16inch	<ul style="list-style-type: none"> <li>● 5000K</li> <li>● 4000K</li> <li>● 3500K</li> <li>● 3000K</li> <li>● 2700K</li> </ul>	650lm	11.5W	SMD2835	Ra>90	AC120V 60Hz	>0.9
24inch	<ul style="list-style-type: none"> <li>● 5000K</li> <li>● 4000K</li> <li>● 3500K</li> <li>● 3000K</li> <li>● 2700K</li> </ul>	900lm	15W	SMD2835	Ra>90	AC120V 60Hz	>0.9
32inch	<ul style="list-style-type: none"> <li>● 5000K</li> <li>● 4000K</li> <li>● 3500K</li> <li>● 3000K</li> <li>● 2700K</li> </ul>	1100lm	18W	SMD2835	Ra>90	AC120V 60Hz	>0.9

## Package

Length	Inner size	Carton size	Pack quantity	Net Weight	Gross Weight
12inch	13.8*4*1.8inch	14.4*8.5*7.9inch	1pcs/inner box 8pcs inner boxes/carton	0.5 kg	4.5 kg
16inch	17.7*4*1.8inch	18.3*8.5*7.9inch	1pcs/inner box 8pcs inner boxes/carton	0.6 kg	5.5 kg
24inch	25.6*4*1.8inch	26.2*8.5*7.9inch	1pcs/inner box 8pcs inner boxes/carton	0.9 kg	8.0 kg
32inch	33.5*4*1.8inch	34.0*8.5*7.9inch	1pcs/inner box 8pcs inner boxes/carton	1.2 kg	10.5 kg



# Security light

LED security light is made with highbrightness white light-emitting diode light source, it match a motion sensor, detect distance adjustable up to 70ft, and integrated dusk to dawn photocell.

- ETL CE** Camera motion security lights  
SEC101P series | P287-292
- ETL CE** Camera motion security lights  
SECA1 series | P293-298
- ETL CE** Camera motion security lights  
SEC401P series | P299-304
- ETL CE** LED motion security lights  
SEC401S series | P305-310
- ETL CE** LED motion security lights  
SEC101S series | P311-316
- CE** Security Lights III | P317-322
- CE** Security Lights II | P323-328





# Camera Motion Security Lights

## SEC101P series

The product uses PIR sensor to detect infrared signal, which is transmitted to the camera for processing to control LED lamps.

If someone walks into the detection area, the light will be turned on automatically.



### 1080P camera

HD real-time video recording, viewable anywhere and anytime via APP, local storage and cloud storage optional



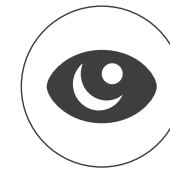
### Intercom function

Hear and speak to people on your property with two-way talk.



### Prompt and alarm

Sound the security alarm on suspicious activity.



### Night vision function

Two 850nm high-power infrared night vision fill lamps, automatic light sensing day and night.



## Color temperature optional

Single color temperature version: adjustable brightness 1-100%, non adjustable color temperature.

Dual color temperature version: adjustable brightness 1-100% and color temperature (3000-5000K).

## Directional lighting

Adjustable motion sensor and camera  
Pivoting arm allows directional lighting.

## Large sensing angle

Adopt 125 degree Fresnel lens, larger PIR detection angle.



**Dual CCT version** can adjust the white/warm white with Tuya App



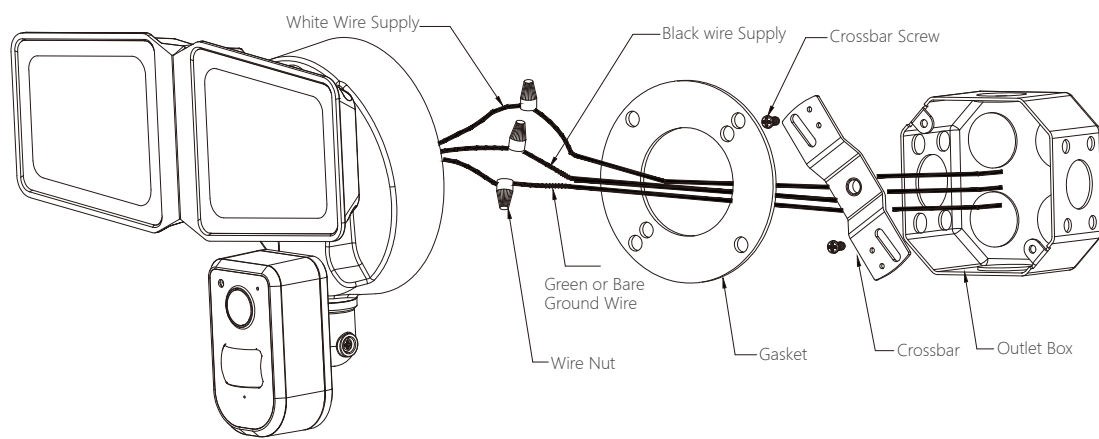
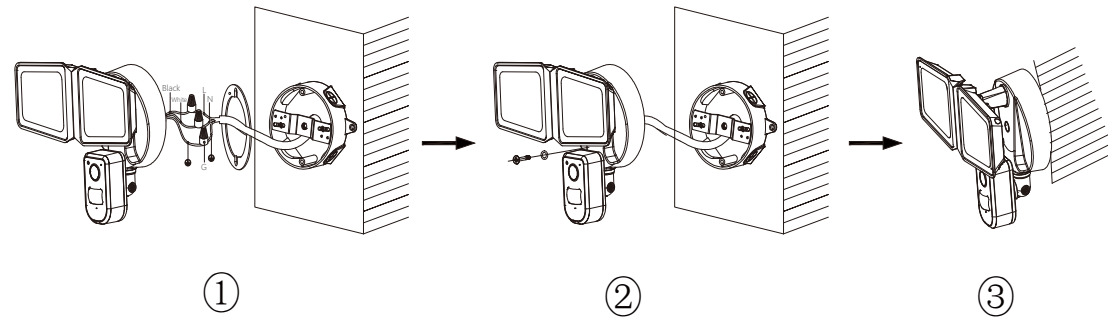
## 3-in-1 detection design

Advanced PIR and motion sensors+portrait recognition technology intelligently recognize people's movements, improving detection quality and reduce false alarms.

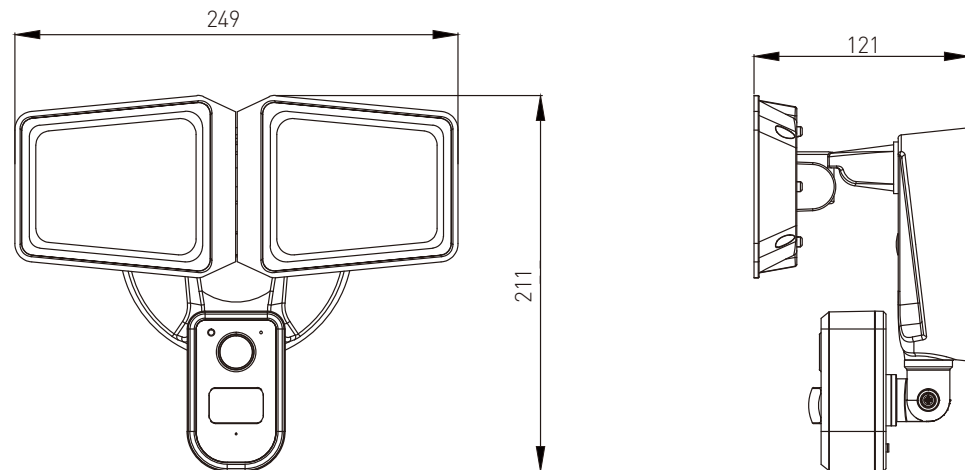
Max. 8m  
Detection Area



# Installation



Unit:mm



# Parameters



Product name	CCT	Lumen	Beam angle	LEDs type	CRI	Power(W)	Detection range	Detection distance	Voltage
SEC101P series	5000K	4400lm	125°	SMD2835	Ra>80	36W	Max. 4*3m	Max. 8m, adjustable	AC100-277V 50/60Hz
	4000K	4300lm							
	3000K	4200lm							

# Package

Product	Inner size	Carton size	Pack Quantity	Net weight	Gross weight
SEC101P series	325*165*150mm	515*340*470mm	1 PC/inner box 9 inner boxes/carton	0.9 kg	11.2 kg





# Camera Motion Security Lights

## SECA1 series

The product uses PIR sensor to detect infrared signal, which is transmitted to the camera for processing to control LED lamps.

If someone walks into the detection area, the light will be turned on automatically.



### 1080P camera

HD real-time video recording, viewable anywhere and anytime via APP, local storage and cloud storage optional



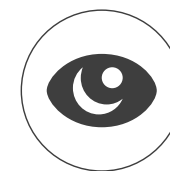
### Intercom function

Hear and speak to people on your property with two-way talk.



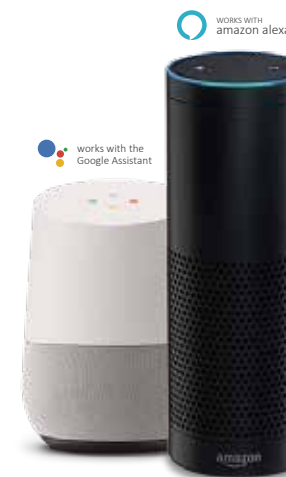
### Prompt and alarm

Sound the security alarm on suspicious activity.



### Night vision function

2500 lumens super bright light ensures full-color recording even at night.



## 3CCT switch function

can select 3000K/4000K/5000K color temperatures through dial switch according to different requirements before installation.

## Directional lighting

Adjustable motion sensor and camera  
Pivoting arm allows directional lighting.

## IP65 waterproof

Waterproof design, reliable quality.

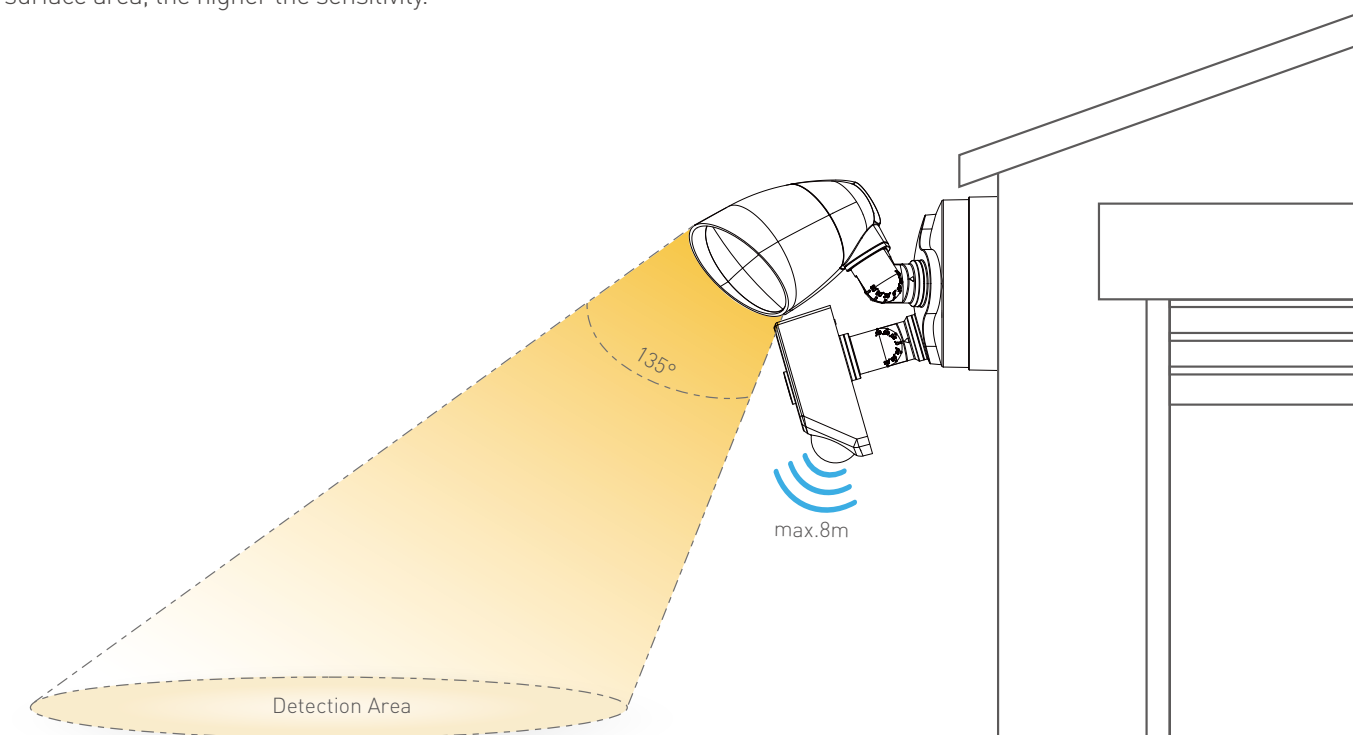


Controlled by Tuya App

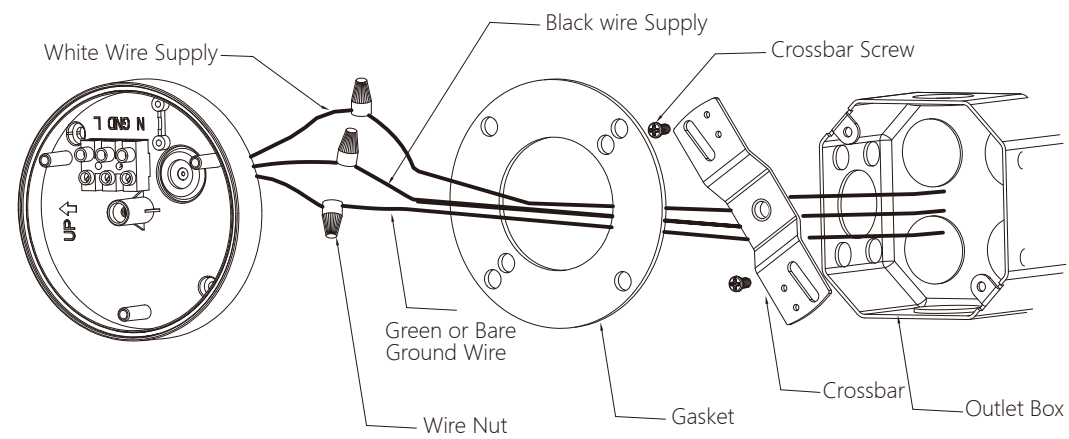
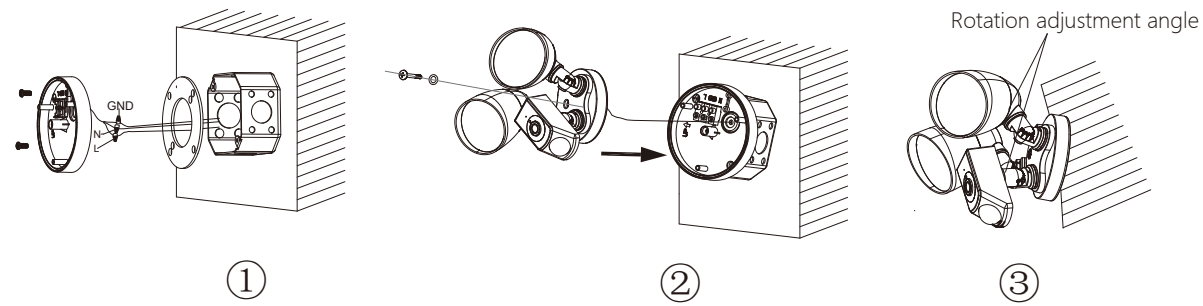


## PIR sensor

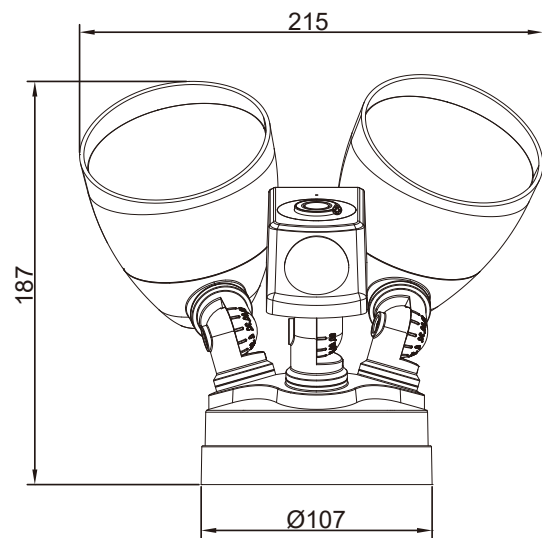
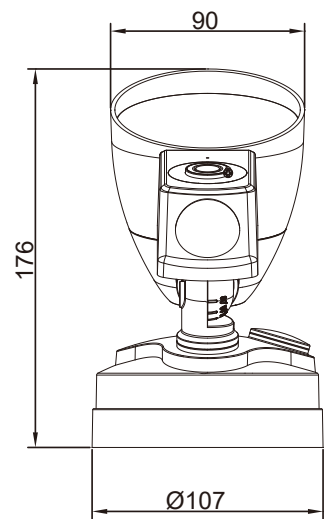
The relation of the sensor to the infrared radiation surface area of the detected object: the greater the infrared radiation surface area, the higher the sensitivity.



# Installation



Unit:mm



# Parameters ETL for US



Product name	CCT	Lumen	Beam angle	LEDs type	CRI	Power(W)	Detection range	Detection distance	Voltage
Camera Motion Security Light 10W	● 5000K	800-900lm	135°	SMD3030	Ra>80	10W*1pcs	Max. 4*3m	Max. 8m, adjustable	AC100-277V 50/60Hz
	● 4000K								
	● 3000K								
Camera Motion Security Light 20W	● 5000K	1600-1800lm	135°	SMD3030	Ra>80	10W*2pcs	Max. 4*3m	Max. 8m, adjustable	AC100-277V 50/60Hz
	● 4000K								
	● 3000K								

# Package

Product	Inner size	Carton size	Pack Quantity	Net weight	Gross weight
10W	250*135*115mm	515*420*250mm	1 PC/inner box 12 inner boxes/carton	0.45 kg	7.0 kg
20W	250*185*115mm	570*490*250mm	1 PC/inner box 12 inner boxes/carton	0.5 kg	10.2 kg





# Camera Motion Security Lights

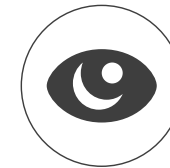
## SEC401P series

The product can remotely monitor the camera image on the mobile phone in real time through the Tuya smart app. The product comes with a memory card or you can purchase cloud storage. You can also watch the playback video screen via the APP.



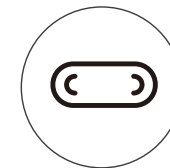
### 1080P camera

HD real-time video recording, viewable anywhere and anytime via APP, local storage and cloud storage optional



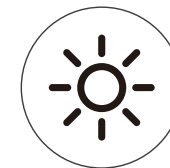
### Night vision function

The camera uses two high-power 850nm patch infrared night vision fill lamps, full-color recording even at night.



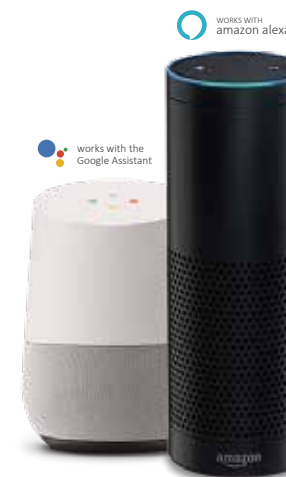
### Integrated mask design

Full plastic shell design, full screen light emitting surface floodlighting design, greater illumination angle.



### High efficiency

>3000LM Lighting Effect, 30W power, soft light is not dazzling.





## High sensitivity motion detection

The design scheme of high sensitivity motion detection + human body sensing 2-in-1 is adopted to reduce false triggering and improve detection accuracy.

## Directional lighting

Adjustable motion sensor and camera  
Pivoting arm allows directional lighting.

## IP65 waterproof

The structure adopts special waterproof design,  
and the waterproof grade reaches IP65.



## Intercom function

Hear and speak to people on your property with two-way talk.



## Prompt and alarm

Sound the security alarm on suspicious activity.





# Parameters **ETL** for US

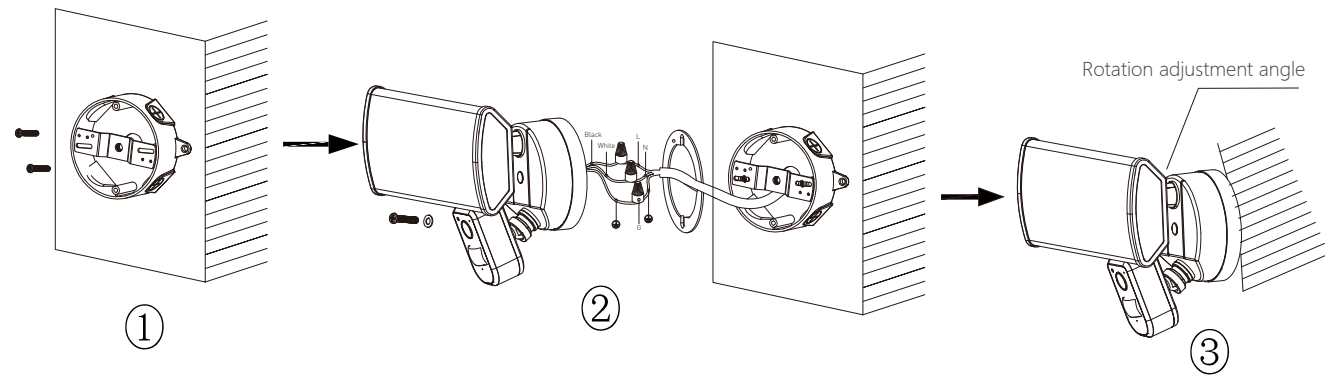


Product name	CCT	Lumen	Beam angle	LEDs type	CRI	Power(W)	Detection range	Detection distance	Voltage
Camera Motion Security Light	5000K	3400lm	105°	SMD2835	Ra>80	30W	Max. 4*3m	Max. 8m, adjustable	AC100-277V 50/60Hz
	4000K	3200lm							
	3000K	300lm							

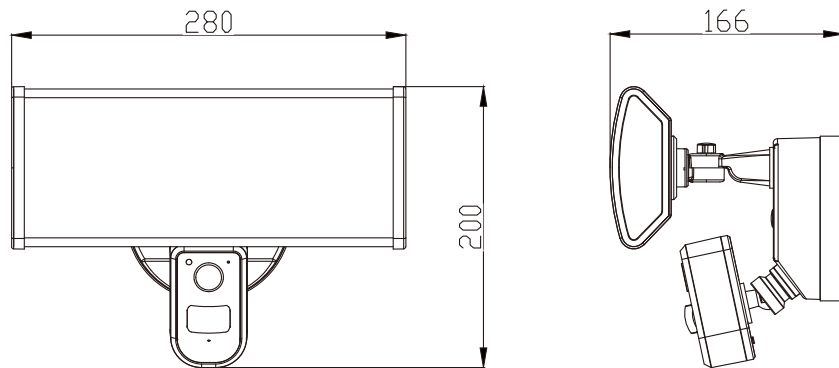
## Package

Product	Inner size	Carton size	Pack Quantity	Net weight	Gross weight
Camera Motion Security Light	315*185*225mm	585*335*470mm	1 PC/inner box 12 inner boxes/carton	0.5 kg	9.0 kg

## Installation



Unit:mm



Mainly used for lighting in the corridors, side walls and portal of retail market, small supermarkets, storage rooms, library, etc.

# LED Motion Security Lights

## SEC401S series

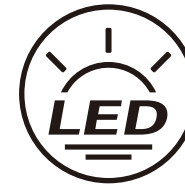


LED energy-saving lamp is made of high brightness white light-emitting diode light source. It matches a motion sensor, detecting distance adjustable up to 40ft, and integrated dusk to dawn photocell. Build-in PIR sensor or no sensor is available.



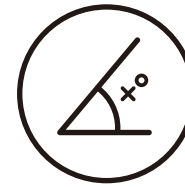
### Two PIR sensing modes

Auto-sensing mode: the light is off if no human movement is detected, the light is on if human movement is detected.  
Ambient light sensing mode: ambient light  $>30\text{lux}$ , the light is off, ambient light  $<30\text{lux}$ , the light is on.



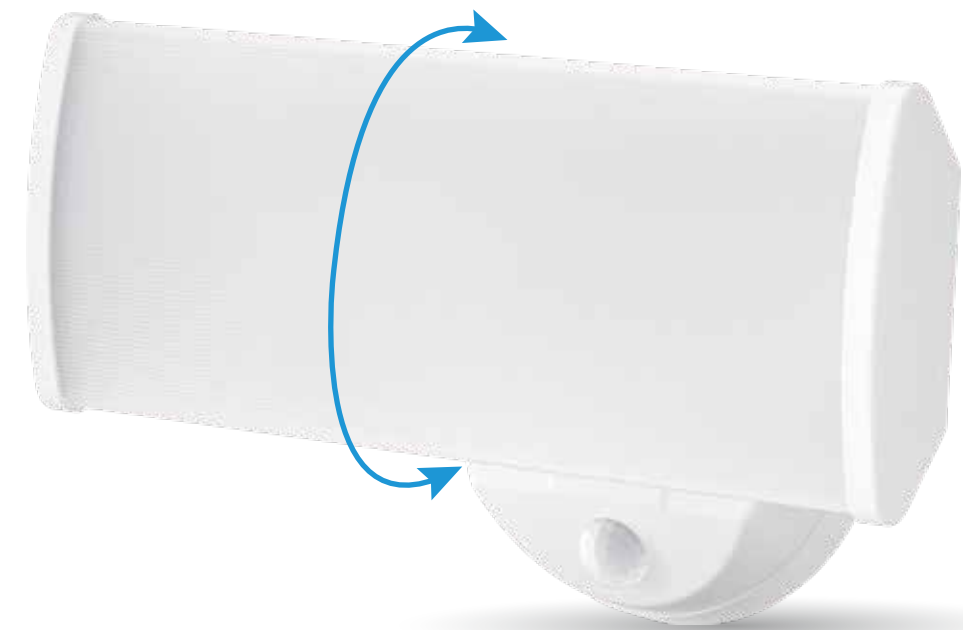
### High brightness LED

High quality SMD2835 LEDs with uniform illumination



### Large rotation angle

Large rotation angle, flexible rotation, easy to adjust





## Directional lighting

Pivoting Arm allows directional lighting.

## Removable lamp cap

The lamp cap can be disassembled, the color temperature of the lamp cap can be changed, and the transportation is convenient.

## High temperature and aging resistance

The lampshade adopts an integrated PC lampshade, which is high temperature resistant, aging resistant and uncoated.

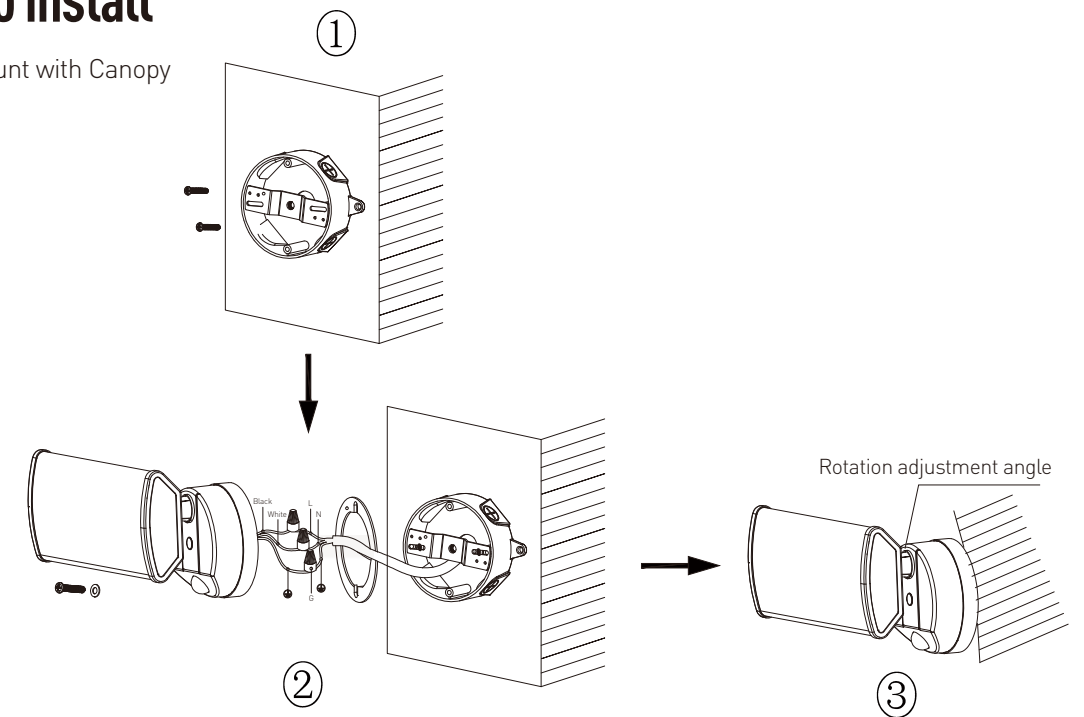
## Rated IP65

Outdoor wet location rated IP65.



## Easy to install

Easy to mount with Canopy



# Parameters

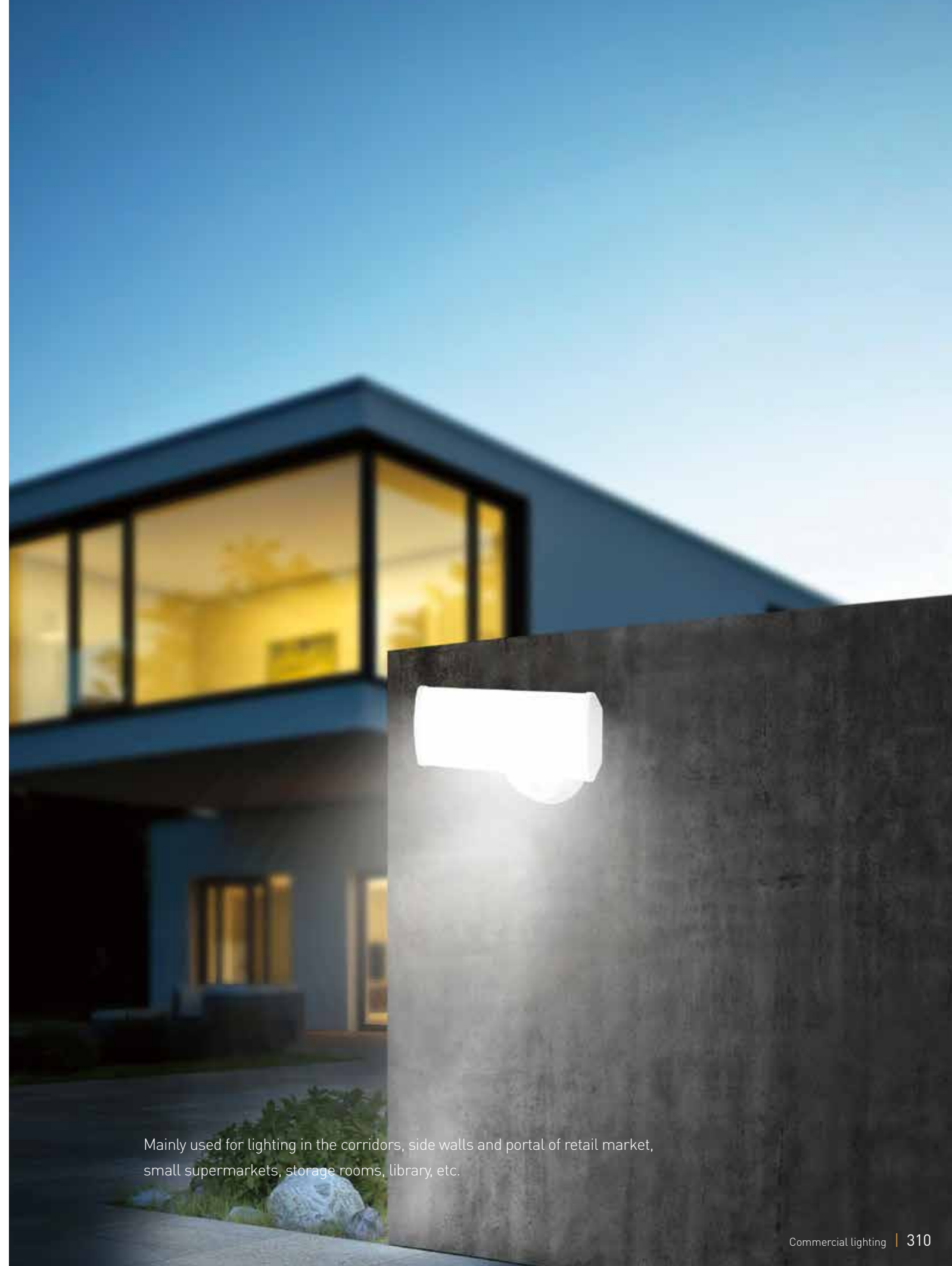
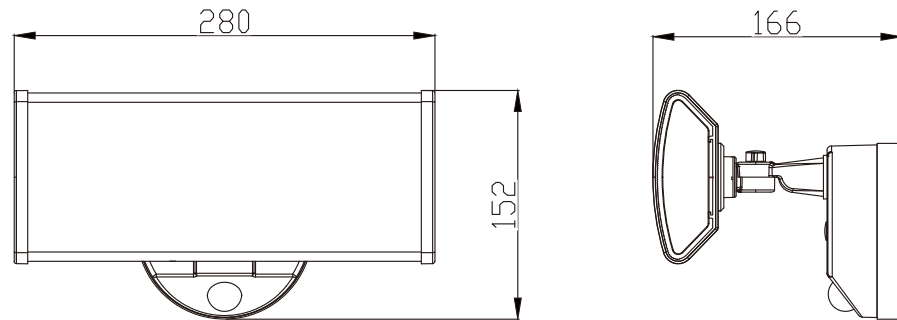


Product name	CCT	Lumen	Beam angle	LEDs type	CRI	Power(W)	Detection range	Detection distance	Voltage
SEC401S Series Security Light	5000K	3400lm	100°	SMD2835	Ra >80	30W	Max. 4*3m	Max. 10m, adjustable	AC100-277V 50/60Hz
	4000K	3200lm							
	3000K	3000lm							

# Package

Product	Inner size	Carton size	Pack Quantity	Net weight	Gross weight
30W	315*185*225mm	585*335*470mm	1 PC/inner box 6 inner boxes/carton	0.5 kg	9.0 kg

Unit:mm



Mainly used for lighting in the corridors, side walls and portal of retail market, small supermarkets, storage rooms, library, etc.

# LED Motion Security Lights

SEC101S series



LED energy-saving lamp is made of high brightness white light-emitting diode light source. It matches a motion sensor, detecting distance adjustable up to 40ft, and integrated dusk to dawn photocell. Build-in PIR sensor or no sensor is available.

## Adaptive D2D mode

When the ambient light is below 30lux, the light will be on for a long time, and when the ambient light is above 100lux, the light will be turned off automatically.

## Large sensing angle

Adopt 180 degree Fresnel lens, larger PIR detection angle.

## High-performance power supply

Built in high-performance power supply, efficiency up to 92%, no noise, reduce loss and improve luminous flux.

## Optical PC lampshade

The lampshade adopts optical grade PC lampshade, which is resistant to high temperature, aging and easy to damage.





## Rated IP65

Outdoor wet location rated IP65.

## Directional lighting

Pivoting arm allows directional lighting.

## Large rotation angle

Large rotation angle, flexible rotation, easy to adjust



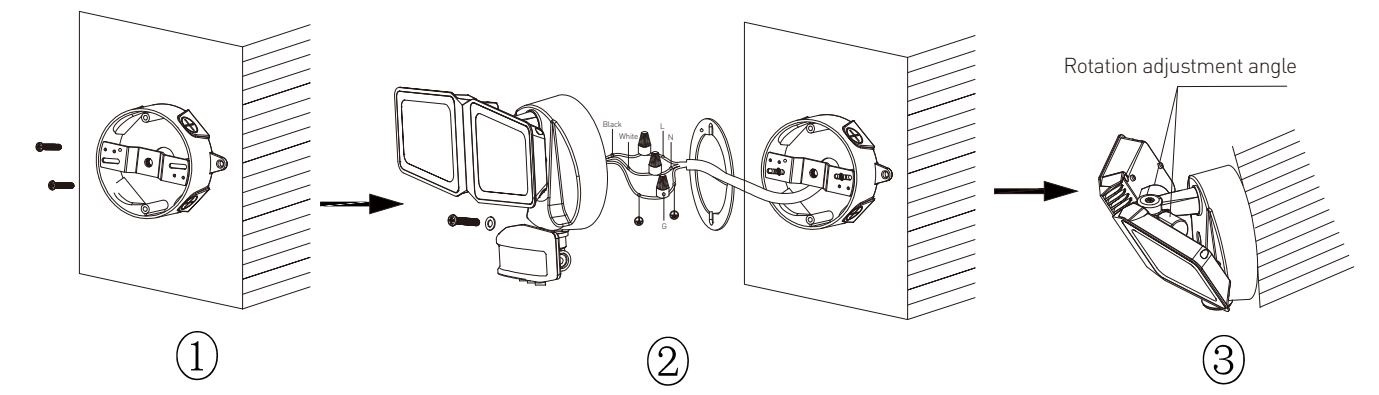
White shell



Black shell

## Easy to install

Easy to mount with Canopy



# Parameters

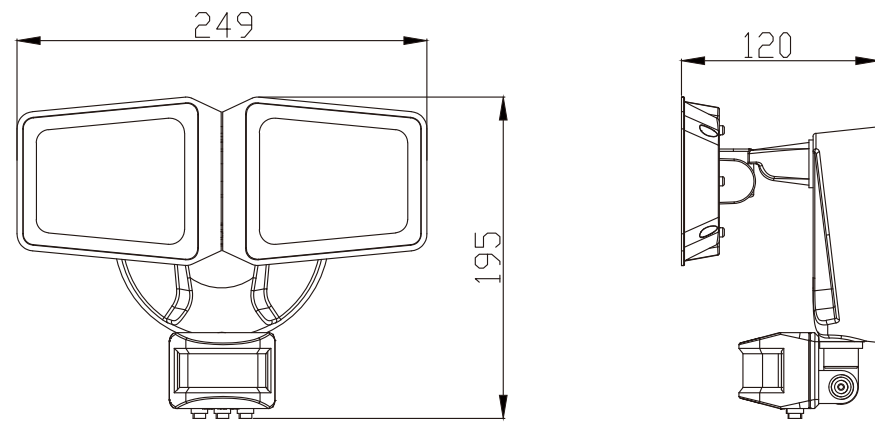


Product name	CCT	Lumen	Beam angle	LEDs type	CRI	Power(W)	Detection range	Detection distance	Voltage
SEC101 Series Security Light	5000K	4400lm	100°	SMD2835	Ra >80	18W*2pcs	Max. 4*3m	Max. 10m, adjustable	AC100-277V 50/60Hz
	4000K	4300lm							
	3000K	4200lm							

# Package

Product	Inner size	Carton size	Pack Quantity	Net weight	Gross weight
36W	325*165*150mm	515*340*470mm	1 PC/inner box 6 inner boxes/carton	0.9 kg	11.2 kg

Unit:mm



Mainly used for lighting in the corridors, side walls and portal of retail market, small supermarkets, storage rooms, library, etc.

# Security Lights III Series

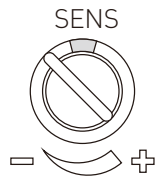


## Application

With its wide range of application, it's mainly used for lighting in the corridors, side walls and portal of retail market, small supermarkets, storage rooms, libraries, etc.

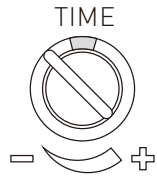






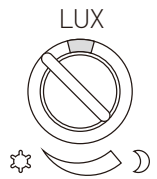
### SENS Knob:

The knob for adjusting sensitivity, namely the detection distance, 8m at the maximum and within 1m at the minimum.



### TIME Knob:

The knob for adjusting the time of keeping the light on, 600s at the maximum and 2s at the minimum.



### LUX Knob:

The knob for adjusting the illuminance to trigger the luminaire, 300LUX at the maximum and within 10LUX at the minimum.



### Method of setting the mode of sensing test:

Adjust the TIME knob to the minimum and adjust the LUX knob to the "sun" mark. When test is completed, adjust the 3 knobs to the status of use.

## 3CCT switch function

Build-in 22pcs 3000K mixed 22pcs 6000K leds per head, customer can choose 3000K,4000K, 6000K by DIP switch based on different requirement before installation. It's convenient and help reduce stocks.

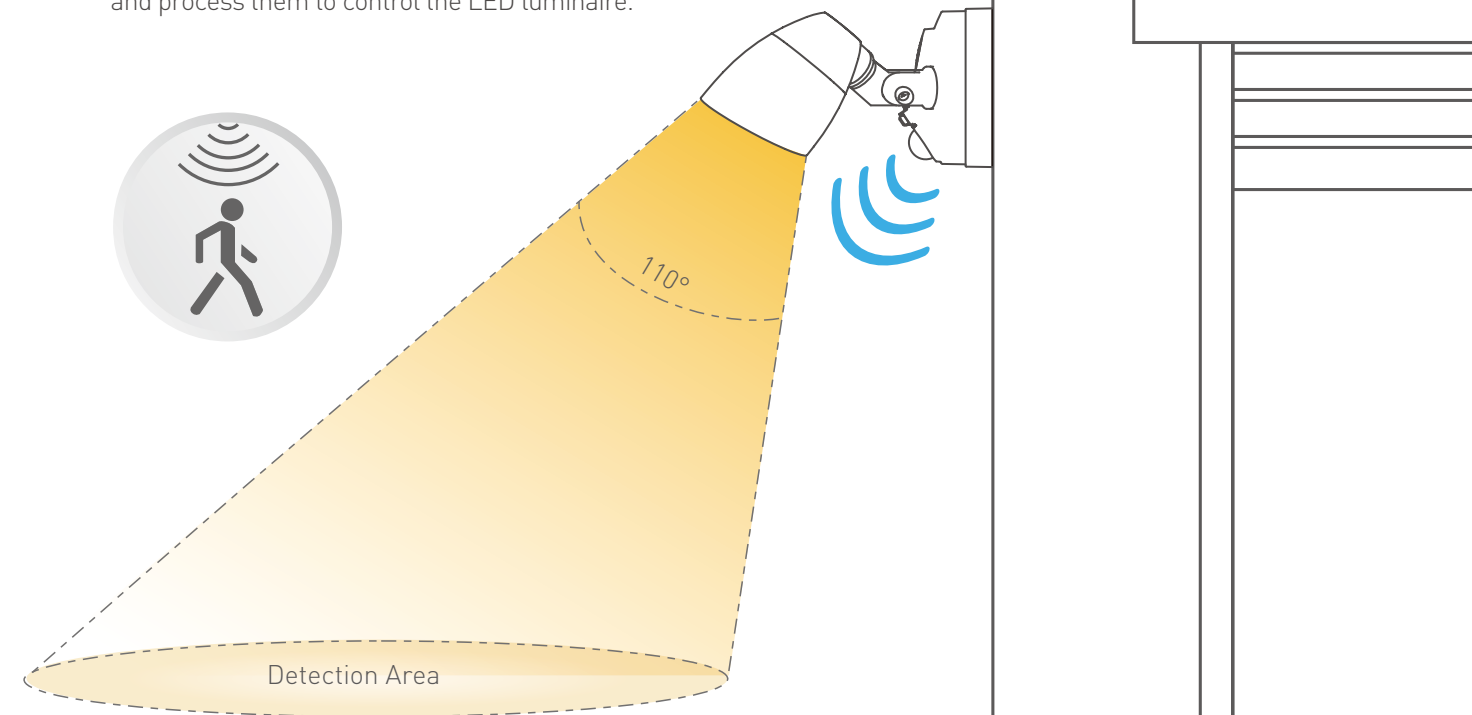


## Easy to mount

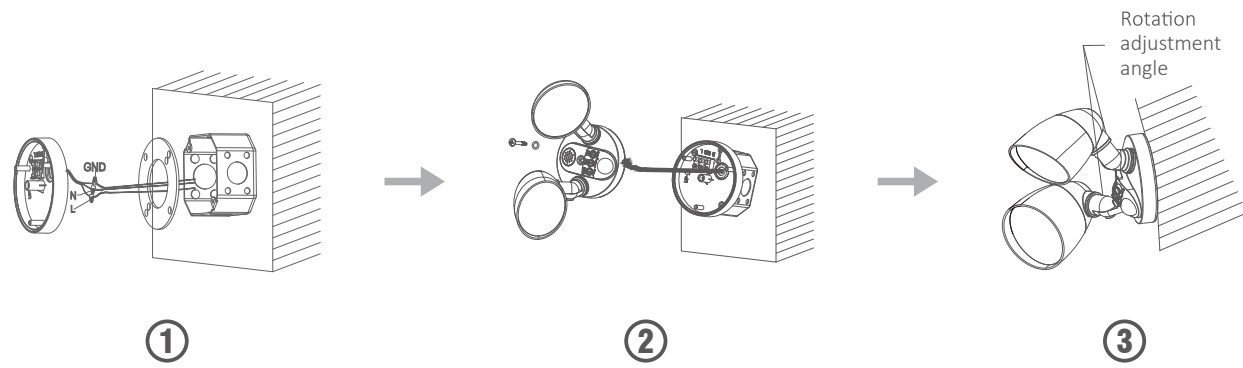
In just a few simple steps, it can get ready to work in a short time.

## PIR sensor

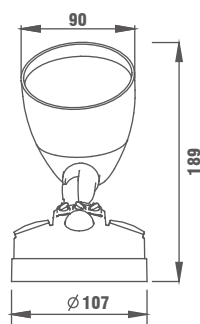
The product uses a PIR sensor to detect infrared signals and process them to control the LED luminaire.



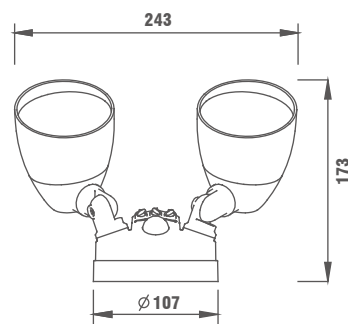
# Installation



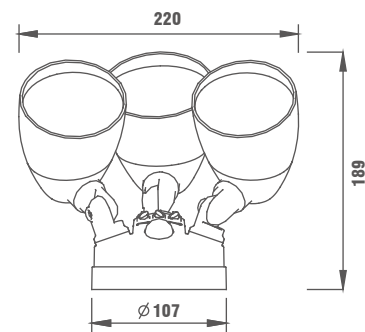
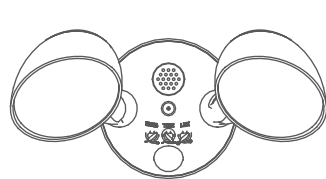
Unit:mm



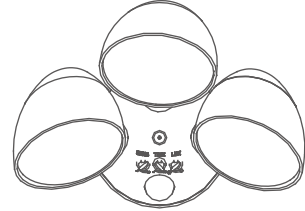
10W



20W



30W



# Parameters



Product name	CCT	Lumen(lm)	Beam angle(°)	LEDs type	CRI	Power(W)	Detection range	Detection distance	Voltage
Security Light III 10W	5000K	800-900	110°	SMD3030	Ra>80	10W*1pcs	150°/270° optional	Max. 10m, adjustable	AC100-277V 50/60Hz
	4000K	800-900							
	3000K	800-900							
Security Light III 20W	5000K	1600-1800	110°	SMD3030	Ra>80	10W*2pcs	150°/270° optional	Max. 10m, adjustable	AC100-277V 50/60Hz
	4000K	1600-1800							
	3000K	1600-1800							
Security Light III 30W	5000K	2400-2700	110°	SMD3030	Ra>80	10W*3pcs	150°/270° optional	Max. 10m, adjustable	AC100-277V 50/60Hz
	4000K	2400-2700							
	3000K	2400-2700							

# Package

Product	Inner size	Carton size	Pack Quantity	Net weight	Gross weight
10W	185*115*120mm	482*385*385mm	1 PC/inner box 24 inner boxes/carton	0.30 kg	10.6 kg
20W	195*131*215mm	600*539*235mm	1 PC/inner box 12 inner boxes/carton	0.42 kg	8.4 kg
30W	195*175*215mm	405*365*450mm	1 PC/inner box 8 inner boxes/carton	0.5kg	6.4 kg

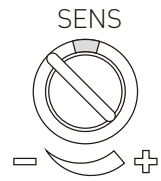
# Security Lights II Series



## Application

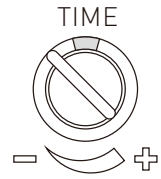
With its wide range of application, it's mainly used for lighting in the corridors, side walls and portal of retail market of America, small supermarkets, storage rooms, libraries, etc.





### SENS Knob:

The knob for adjusting sensitivity, namely the detection distance, 8m at the maximum and within 1m at the minimum.



### TIME Knob:

The knob for adjusting the time of keeping the light on, 600s at the maximum and 2s at the minimum.



### LUX Knob:

The knob for adjusting the illuminance to trigger the luminaire, 300LUX at the maximum and within 10LUX at the minimum.



### Method of setting the mode of sensing test:

Adjust the TIME knob to the minimum and adjust the LUX knob to the "sun" mark. When test is completed, adjust the 3 knobs to the status of use.

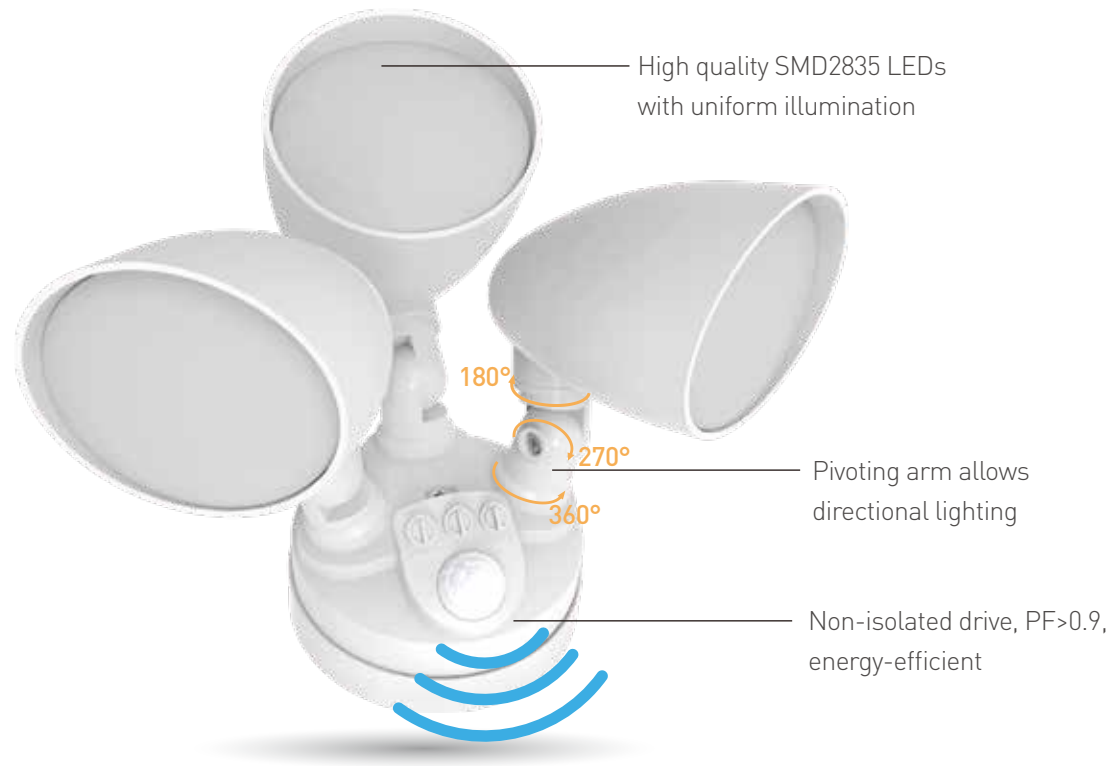
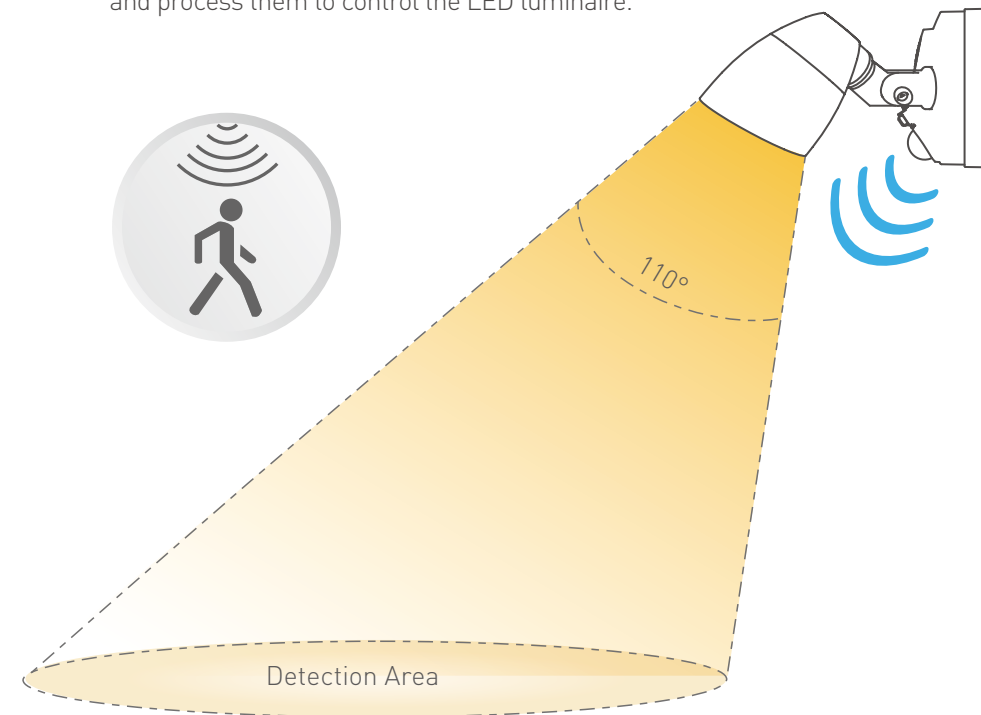


### Easy to mount

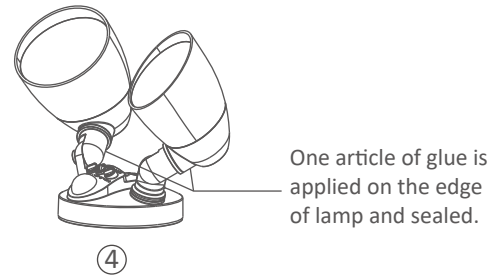
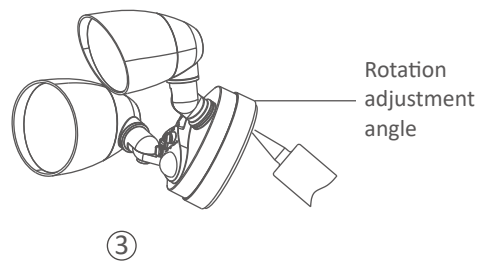
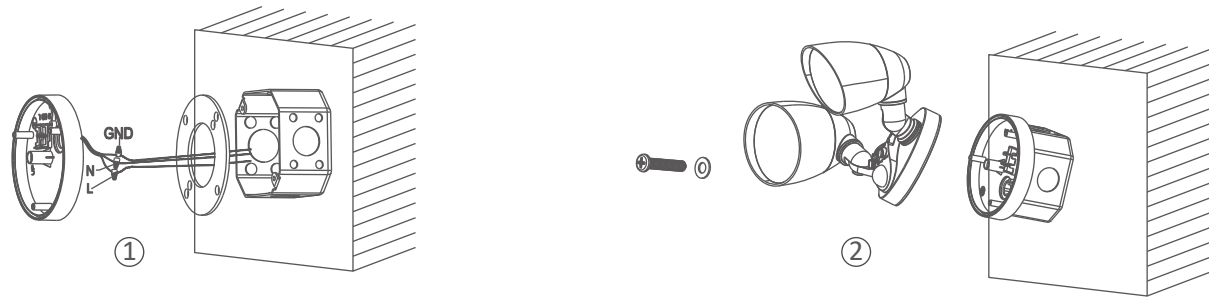
In just a few simple steps, it can get ready to work in a short time.

### PIR sensor

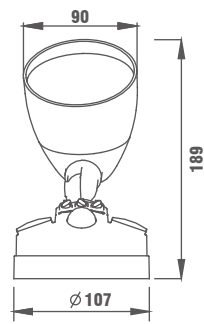
The product uses a PIR sensor to detect infrared signals and process them to control the LED luminaire.



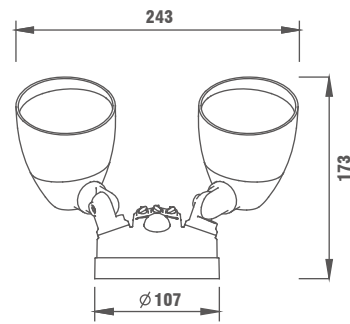
# Installation



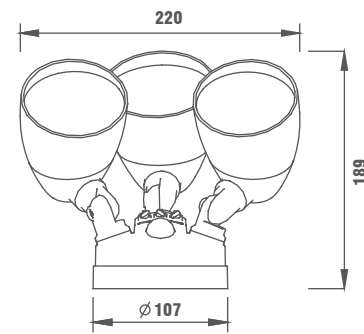
Unit:mm



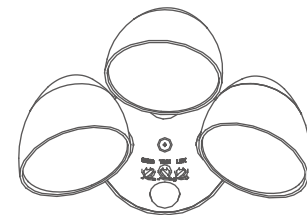
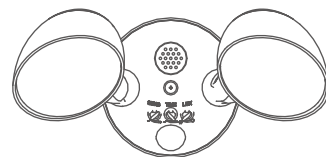
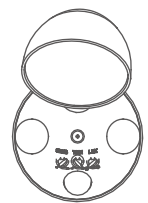
10W



20W



30W



# Parameters



Product name	CCT	Lumen(lm)	Beam angle(°)	LEDs type	CRI	Power(W)	Detection range	Detection distance	Voltage
Security Light II 10W	5000K	900	110°	SMD2835	Ra>80	10W*1pcs	150°/270° optional	Max. 10m, adjustable	AC100-277V 50/60Hz
	4000K	900							
	3000K	900							
Security Light II 20W	5000K	1800	110°	SMD2835	Ra>80	10W*2pcs	150°/270° optional	Max. 10m, adjustable	AC100-277V 50/60Hz
	4000K	1800							
	3000K	1800							
Security Light II 30W	5000K	2700	110°	SMD2835	Ra>80	10W*3pcs	150°/270° optional	Max. 10m, adjustable	AC100-277V 50/60Hz
	4000K	2700							
	3000K	2700							

# Package

Product	Inner size	Carton size	Pack Quantity	Net weight	Gross weight
10W	109*109*173mm	560*560*195mm	1 PC/inner box 25 inner boxes/carton	0.34 kg	10 kg
20W	195*131*215mm	600*539*235mm	1 PC/inner box 12 inner boxes/carton	0.48 kg	8.6 kg
30W	226*155*150mm	480*465*320mm	1 PC/inner box 12 inner boxes/carton	0.6 kg	9.7 kg



## Portable Utility light

The multifunctional portable utility light, eco-friendly, has patent design appearance; the lamp can be used according to customer's requirements; at the same time, the lamp can charge mobile phone, really realize energy-saving, eco-friendly, safe, convenient.

**CE** Solar rechargeable series | P331-336

**CE** Portable Utility Light III series | P337-342

**CE** Portable Utility Light II series | P343-348

# Portable Utility light

## Solar rechargeable series

360 degree lighting, a camping light can provide enough brightness to illuminate the whole tent or room.

Diffused Milky white PC lampshade is adopted to provide more uniform, exquisite and anti glare light and protect eyes.



## Solar charging

Simply place your lantern outside with the solar panel facing up to use sunlight to power your lantern.



4400mAh large-capacity battery,  
long-lasting power

## Type-c charging

Can be fully recharged via the cable around 5 hours,  
then one light can last 4-15 hours.



Charge using the USB port output of  
adapter, computer or power bank.



## 4 Light Modes

3000-5000-6000K graded color temperature, a variety of brightness, in case of emergency, turn on the SOS flashing light to transmit rescue signals in time.



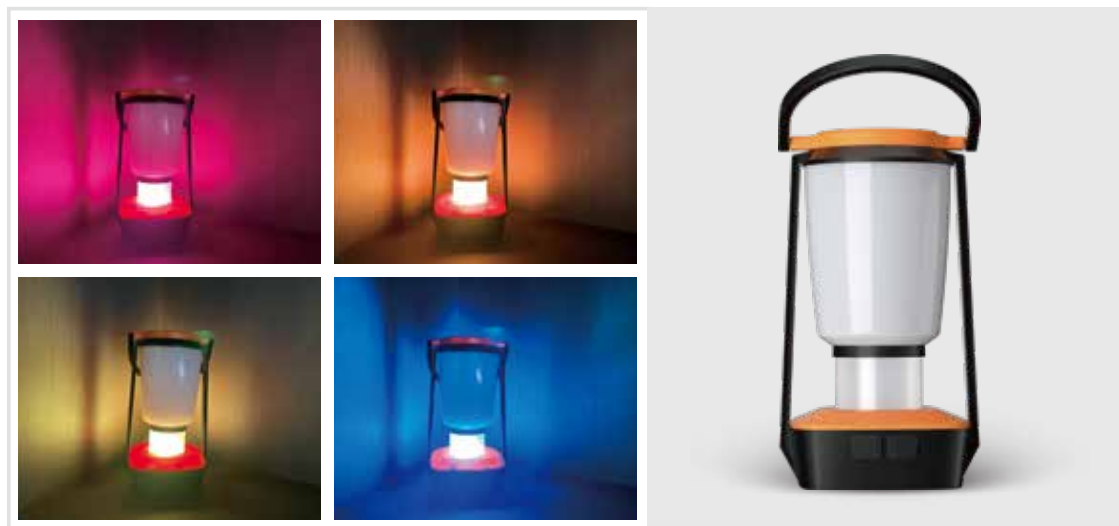
## IPX4 life waterproof

The camping light is IPX4 water-resistant that no worries for small rainy or splashing water in all directions, perfect for outdoor and indoor usage.



## RGB colorful atmosphere lights

Make the darknight no longer monotonous, but also according to the preferences of color



## Compact & Light weight

As small as your phone, which could be easily fit in your pocket, backpack and camping supplies, very easy to carry. Each camp light also equipped with a hook, easy to be hung in a tent or tree.





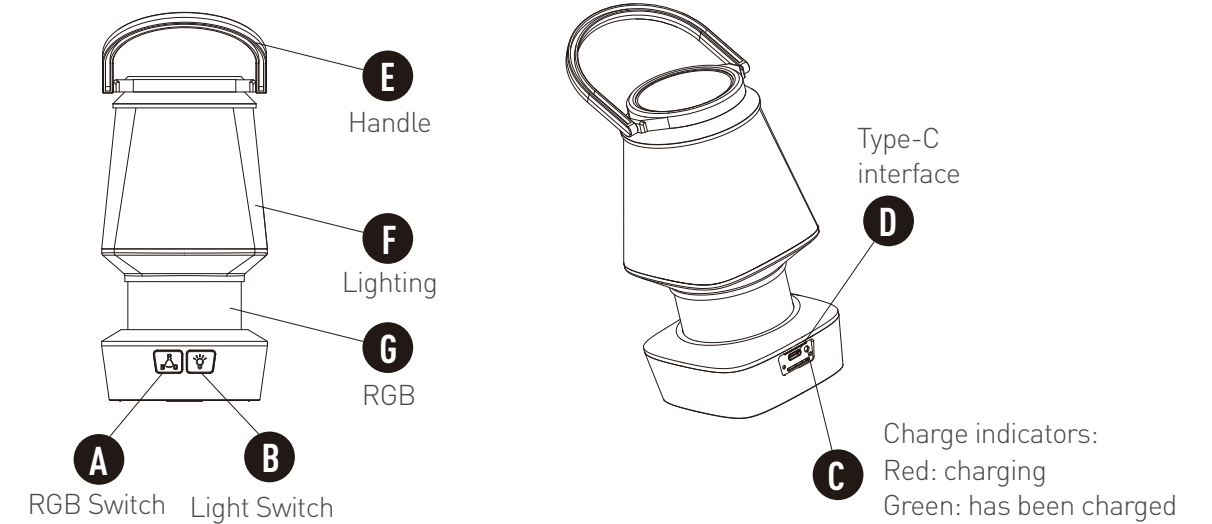
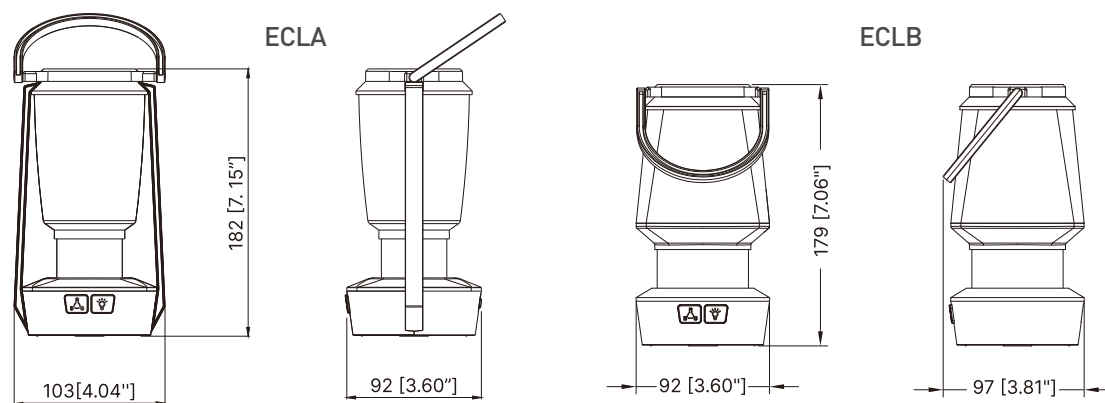
## Parameters

Name	Solar Rechargeable Portable Camping Light		
Model	ECLA / ECLB		
Input	DC 5V 1.0A	Output	DC 5V 1.0A
Wattage	5W (MAX)	Luminous flux	500lm (MAX)
LED type	2835	LED qty	104 PCS
Waterproof	IPX4	Beam angle	360°
Battery	3.7V 4400mAh	Charging time	≈ 5 hours (with 5V,1.0A Adapter)
Using environment temperature	0~40 °C	LED lifetime	36000 hrs
CCT	Warm white: 2800-3200K, White: 4700-5500K, Cold white: 5700-6500K		
RGB	RGB gradient, any pause		
Lighting time: (full charge state)	100% brightness>4H, 70% brightness>6H, 30% brightness>12H RGB mode>15H, SOS mode>10H		

## Package

Color box size	120x110x200mm
External case size	380x350x420mm, 18pcs/carton
Net weight	0.334Kg
Weight of single package	0.424Kg
Weight of whole case	8.413Kg

Unit:mm/inch



# Portable Utility light III series

- 5- state brightness control, max.power is 2.5W;
- Charge function, and can charge mobile phone, IPAD or other USB electronic products;
- Intelligent charging identification function, and can automatically adjust current according battery capacity of charged product;
- SOS help, flashing warning function;
- Great battery capacity can be used repeatedly for many times.



## Main Applications

Equipment Inspection | Learning Lighting | Emergency Repairing | Outdoor Traveling



Camping Lighting

SOS Lighting



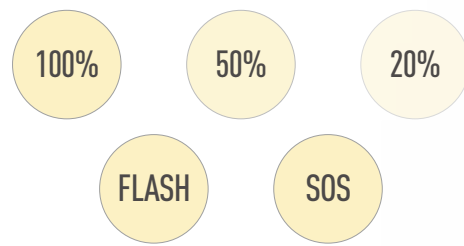
Learning Lighting

Indoor Lighting



## 5- state brightness

5- state brightness control, max.power is 2.5W;



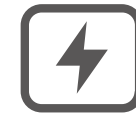
## Convenient hanging

Independent hook for easy suspension.



## SOS Help

Press waterproof switch to adjust brightness, FLASH warning, SOS help or other function.



## 1800mAh great battery

Great battery capacity can be used repeatedly for many times.

## Details

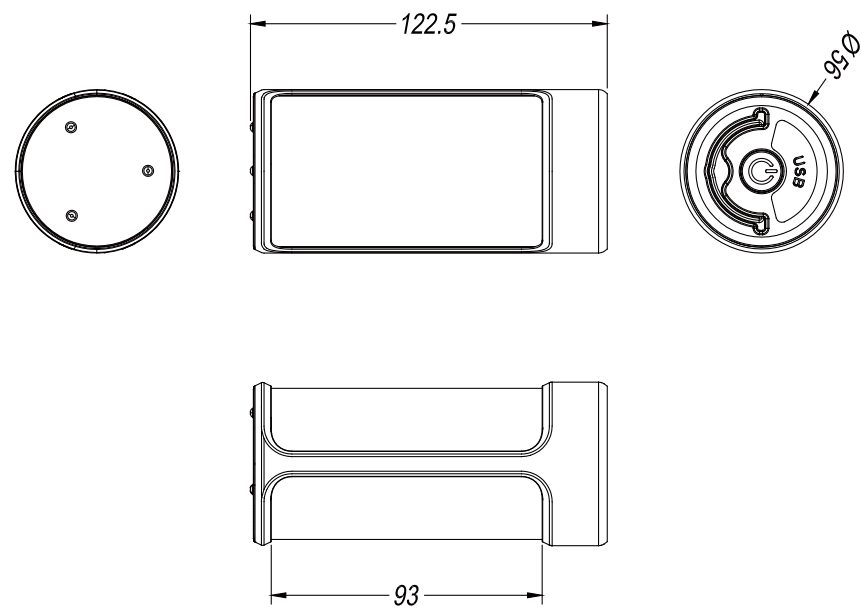


- 1.Press waterproof switch to adjust brightness, FLASH, SOS or other function;
- 2.1st to 6st, there are 3 -stage dimming: 100%, 50%, 20% brightness.
- 3.The 7th is flashing function.
- 4.The ninth is SOS function.



# Parameters

Name	LED emergency camping light & Power bank		
Model	ECL7-01/02/03		
Input	DC 5V 1.0A	Output	DC 5V 1.0A
Wattage	2.5W (MAX)	Brightness	200lm (MAX)
Size	238×51×39mm	/	/
Waterproof	IP20	CRI	≥80
Battery	3.7V 1800mAh		
Charging time	≈3 hours(with 5V,1.0A Adapter)		
Using environment temperature	0~40 ℃		
Storage environment	-10~50 ℃		



# Portable Utility light II series

- Waterproof design, 3-state brightness control, max. power is 2.5W;
- Charge function, and can charge mobile phone, IPAD or other USB electronic products;
- Intelligent charging identification function, and can automatically adjust current according to battery capacity of charged product;
- SOS help, flashing warning function;
- There is strong magnets on two ends, can be absorbed and used on the surface;
- Great battery capacity can be used repeatedly for many times.



## Main Applications

Equipment Inspection | Learning Lighting | Emergency Repairing | Outdoor Traveling

Night Riding



Camping Lighting



SOS Lighting



Outdoor Fishing

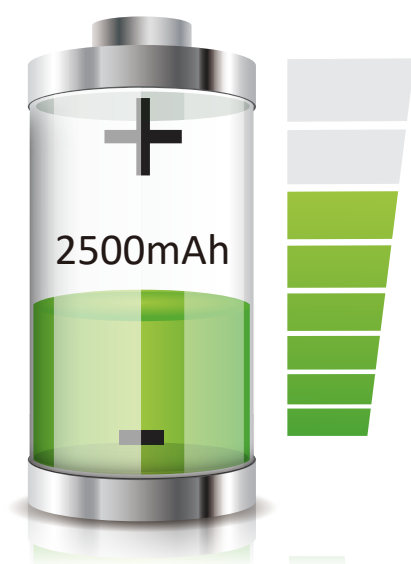


Emergency Lighting



## Charge function

Can charge mobile phone, IPAD or other USB electronic products.



## Waterproof design

Can be water immersed for short time.



### Strong Magnets

There is strong magnets on two ends, can be absorbed and used on the surface.



### SOS Help

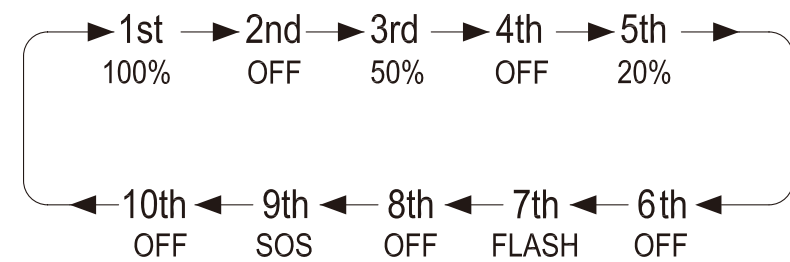
Press waterproof switch to adjust brightness, FLASH warning, SOS help or other function.



### 2500mAh great battery

Great battery capacity can be used repeatedly for many times.

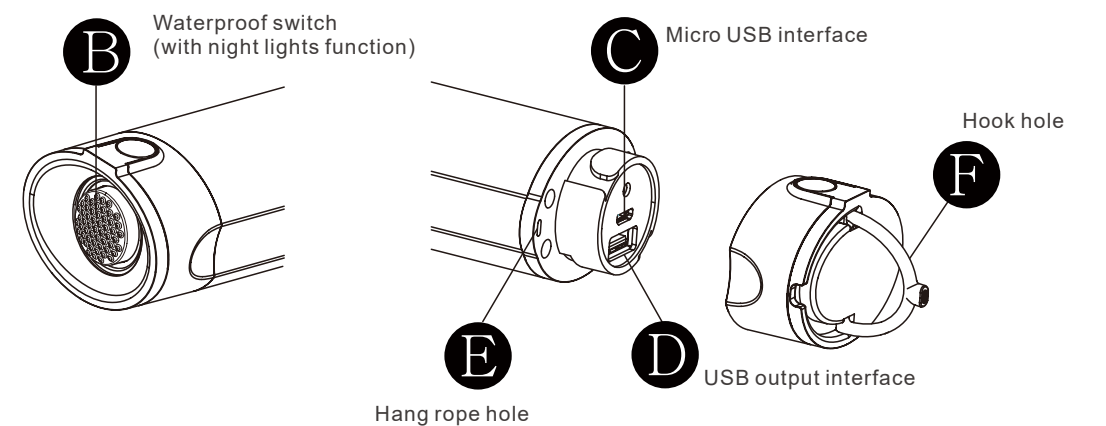
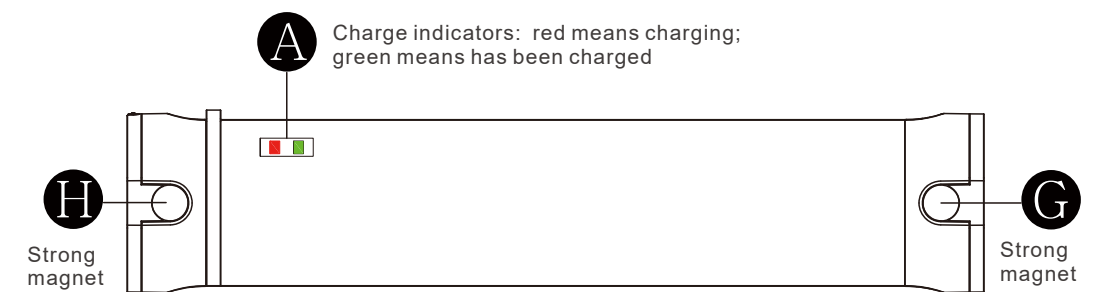
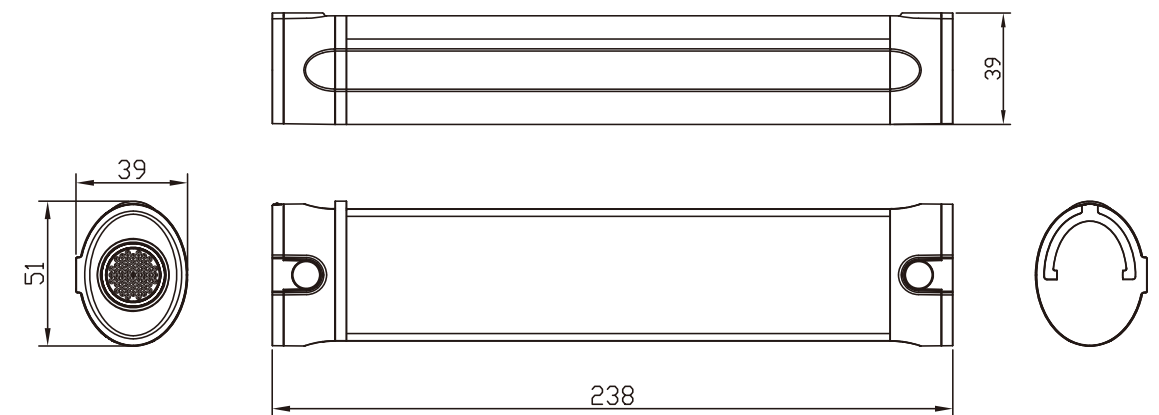
Item	ECL4	
Power(watt) full bright state	4W(100% brightness)	
Charging voltage	DC5V/1A	
Accumulator capacity	2500mAH	
Charging time	1A/ 2.7H	
Lighting time (full charge state)	100% brightness	>2.5H
	50% brightness	>4H
	20% brightness	>10H
	Flash	>5H
	SOS mode	>7.5H
Luminous flux	100% brightness	>400LM
	50% brightness	>200LM
	20% brightness	>100LM
Charge time of mobile equipment (full charge state)	>1.0 Times	
Beam Angle	120°	
LED type	2835	
LEDs qty.	30pcs	
Normal working environment	0-40 C	
Weight	195g	



1. Press waterproof switch to adjust brightness, FLASH, SOS or other function
2. 1st to 6th , there are 3 -stage dimming: 100%, 50%, 20% brightness.
3. The 7th is flashing function.
4. The ninth is SOS function.

## Parameters

Battery capacity: 3.7V2500mAh	Luminous flux: 400lm (MAX)	
USB charging input: 5V ~1.0A	LED lifetime: 36000hrs	
Power: 4W (MAX)	CE&RoHS compliant	
Charging output: 5V~1.0A (Intelligent identification IC)	CCT	Warm white: 2800-3200K Neutral white: 3800-4250K White: 4750-5300K Cool white: 5700-6500K



# Limited Warranty

The “Warranty Period” will begin at the date of original Product purchase from either Signcomplex , or an authorized Signcomplex Distributor/Dealer. Signcomplex will repair or replace product covered under this warranty with components at Signcomplex’s election or discretion. Advances in technology may lead to “better or advanced” products being selected for replacement.

This Warranty is further conditioned on the purchaser contacting Signcomplex during the warranty period between normal business hours to review the issue and initiate the Returned Merchandise Authorization (RMA) process. This must be done prior to the return of any defective product. Only Signcomplex manufactured products may be returned through the Signcomplex RMA process. No defective products, Signcomplex or otherwise, will be returned to purchaser. The Signcomplex RMA form must be legible and completed in detail prior to approval for return. The Signcomplex Warranty is further conditioned and will only apply to Signcomplex products that are properly installed. This includes wiring and connection to proper approved components and product working environments. This Warranty is void and does not apply to products that fail as a result of neglect, mistake, misuse, alteration, improper installation or implementation. This includes but is not limited to: improper wiring, installation under improper and nonapproved operating environments such as temperature, humidity or voltage conditions; improper ins-tallation using components that are not approved or are not Signcomplex manufactured products.

Installation and usage of Signcomplex products should only be completed in association and complete knowledge of all necessary and related codes, standards and instructions of installation. It is the responsibility of the purchaser to obtain all necessary approvals and to understand the product’s intended use and all relevant instructions, recommendations, and guidelines for the proper installation, use of any Signcomplex product and related “manufactured products,” used in conjunction with . The accuracy and completeness of any statements, technical information and recommendations in any form of product literature or instructions are not guaranteed, are not part of this Warranty, and does not in any way constitute a warranty. The purchaser is responsible for suitability of installation and full implementation and must determine potential applications and installations independently.

Warranty Compensation will be based on “usage factors and time in use” and “Technology Value,” and will be prorated based on this and information collected via the RMA process.

## Product Warranty Matrix

LED downlight	3years/5years
LED panel light	3years/5years
LED linear light	5years
LED security light	3years/5years
LED cabinet light	1year/5years

What is not covered under this Limited Warranty is defects of any kind caused or created by improper installation of any kind; damage caused during shipping to purchaser or beyond “acts of Nature or God.” Signcomplex will not cover additional labor costs or Warranty such labor associated with replacement products. This Warranty document represents the only ex-press or implied Warranty - no other Warranties exist.